

Mar. 2009



# SERVICE MANUAL ADDENDUM

---

**IC-F24/S F25/S F26/S F26-L F4018 F4018-L**

---

## **CONTENTS**

PARTS LIST .....	1
BOARD LAYOUTS .....	15
VOLTAGE DIAGRAM .....	17

# PARTS LIST

## [VERSION LIST]

MODEL	VERSION	SYMBOL
IC-F24	USA-02	[A]
	GEN-03	[B]
	BEA-02	[D]
	GEN-02	[E]
	GEN-03	[F]
	USA-04	[G]
	USA-05	[T]
IC-F25	EUR-02	[C]
IC-F26	RUS-02	[H]
	RUS-05	[I]
	CHN-02	[U]
IC-F24S	OSA-02	[K]
	USA-03	[L]
	BEA-02	[N]
	GEN-02	[O]
	GEN-03	[P]
	USA-04	[Q]
IC-F25S	EUR-02	[M]
IC-F26S	RUS-02	[R]
	RUS-05	[S]
IC-F26-L	EXP-01	[J]
	CHN-01	[V]
IC-F4018	CHN-01	[W]
IC-F4018-L	CHN-01	[X]

## [ANT UNIT]

REF NO.	PARTS NO.	DESCRIPTION	M.	H/V LOCATION
L601	6200013010	S.COI 0.30-0.9-5TL 10.3N <COMO>	B	7.2/12.5
C601	4030017600	S.CER ECJ0EC1H080C	B	5.8/15.3

## [CONNECT UNIT]

REF NO.	PARTS NO.	DESCRIPTION	M.	H/V LOCATION
C501	4030017460	S.CER ECJ0EB1E102K	T	8.3/5.3
C502	4030016930	S.CER ECJ0EB1A104K	T	9.3/5.3
J501	6910016390	CON IMSA-9230B-1-02Z145-PT1		

## [MAIN UNIT] (For F24/S F25/S F26/S F4018)

REF NO.	PARTS NO.	DESCRIPTION	M.	H/V LOCATION
IC1	1110003201	S.IC TA31136FNG(EL)	B	51.8/19
IC2	1130008561	S.IC TC75S51F(TE85L,F)	T	68.9/21
IC4	1140005991	S.IC MB15A02PFV1-G-BND-ERE1	T	38.3/35.7
IC5	1110005340	S.IC NJM12902V-TE1-#ZZZB	T	29.7/11.6
IC6	1110005320	S.IC NJM13403V-TE1-#ZZZB	T	15.9/34.6
IC7	1110005330	S.IC NJM12904V-TE1-#ZZZB	T	29.2/34.6
IC8	1190000350	S.IC M62363FP-650C	T	40.3/15.2
IC9	1110005350	S.IC NJM2870F05-TE1-#FZZB	B	84.2/14.2
IC10	1130011770	S.IC CD4066BPWR	T	22.9/34.6
IC12	1110001811	S.IC TA7368FG(5,ER)	T	89.3/13.2
IC13	1140012721	S.IC HD6433687C73FPV(FX-2775A-1)	T	12.5/14.3
IC14	1110006260	S.IC BD5242G-TR	T	6.6/5.9
IC15	1130011540	S.IC BR24L16FV-WE2	B	16/11.6
Q1	1560000841	S.FET 2SK1829(TE85R,F)	T	75/39.6
Q2	1580000731	S.FET 3SK293(TE85L,F)	B	76.8/37.9
Q3	1580000800	S.FET 3SK324UG-TL-E	B	66.2/37.9
Q4	1530002601	S.TRA 2SC4215-O(TE85R,F)	B	51.4/23.1
Q5	1530000371	S.TRA 2SC3356-T1B S (R25)	T	74.3/33.5
Q6	1590003231	S.TRA UNR9113G0L	T	72.5/19.1
Q7	1560001232	S.FET RD07MVS2-T112	T	82.6/27
Q8	1560001241	S.FET RD01MUS1-T113	T	76.1/27.5
Q9	1530003311	S.TRA 2SC5107-O(TE85R,F)	T	67/30.3
Q10	1530003311	S.TRA 2SC5107-O(TE85R,F)	T	59.4/36.3
Q11	1530003311	S.TRA 2SC5107-O(TE85R,F)	B	56.3/37
Q12	1530003311	S.TRA 2SC5107-O(TE85R,F)	T	59/31.5
Q13	1530002920	S.TRA 2SC4226-T1 R25	T	54.9/30.7
Q14	1530002920	S.TRA 2SC4226-T1 R25	T	54.2/37.1
Q15	1590001400	S.TRA XP1214(TX)	B	56.5/32.6
Q16	1590003291	S.TRA UNR9213G0L	B	59.1/32.6
Q17	1530002851	S.TRA 2SC4116-BL(TE85R,F)	T	55.5/44.1
Q18	1560000541	S.FET 2SK880-Y(T5RICOM,F)	B	51.5/40.4
Q19	1530002851	S.TRA 2SC4116-BL(TE85R,F)	T	43.3/29.9
Q21	1510000920	S.TRA 2SA1577 T106 Q	T	71.9/16.4
Q22	1510000920	S.TRA 2SA1577 T106 Q	T	24.9/25.9
Q23	1520000460	S.TRA 2SB1132 T100 R	T	81/15.2
Q24	1590001190	S.TRA XP6501-(TX).AB	T	76.3/15.1
Q25	1590003231	S.TRA UNR9113G0L	T	75.7/11.7
Q26	1590003291	S.TRA UNR9213G0L	T	49.7/18.4
Q27	1590003291	S.TRA UNR9213G0L	T	24.8/16.7
Q28	1590003431	S.TRA UNR911HG0L	B	63.1/10.6
Q29	1590003271	S.TRA UNR9210G0L	B	35.7/9.2
Q30	1510001080	S.TRA 2SA2048 TLR	T	91.9/8.6
Q31	1590001190	S.TRA XP6501-(TX).AB	T	91.4/5.2
Q32	1590003020	S.TRA XP4216-(TX)	T	16.5/23.1
Q33	1590003231	S.TRA UNR9113G0L	T	19.9/22.5
Q34	1560001360	S.FET 2SK3019 TL	T	10.7/30.1
Q35	1560001360	S.FET 2SK3019 TL	T	9.1/26.6
D1	1750001080	S.DIO RB886G T2R	B	90.2/38.7
D2	1750000581	S.DIO 1SV307(TPH3,F)	B	91.5/31.1
D3	1750000711	S.VAR HVC350BTRF-E	B	87.5/33.5
D4	1750000711	S.VAR HVC350BTRF-E	B	87.5/34.8
D5	1790001261	S.DIO MA2S077G0L	B	87.4/36.7
D6	1790001241	S.DIO MA2S7280GL	B	85/39.9
D7	1750000711	S.VAR HVC350BTRF-E	B	81.8/33.5
D8	1750000711	S.VAR HVC350BTRF-E	B	81.8/34.8
D9	1750000711	S.VAR HVC350BTRF-E	B	73.6/35.9
D10	1750000711	S.VAR HVC350BTRF-E	B	72.2/35.9
D14	1790001261	S.DIO MA2S077G0L	T	65.8/35.3
D15	1790001261	S.DIO MA2S077G0L	T	65.8/36.7
D16	1750000711	S.VAR HVC350BTRF-E	T	52.6/38.9
D17	1750000711	S.VAR HVC350BTRF-E	T	49.4/28.3
D18	1720000570	S.VAR MA368(TX)	B	49.6/26.9
D21	1750000711	S.VAR HVC350BTRF-E	T	50.5/33.7
D22	1750000711	S.VAR HVC350BTRF-E	T	50.5/35.2
D24	1790001251	S.DIO MA2S1110GL	T	41.5/39.2
D25	1790001251	S.DIO MA2S1110GL	T	70.5/40.4
D26	1790001790	S.DIO RB876W TL	B	35.7/7.1
D27	1750000520	S.DIO DAN222TL	B	21.3/6
D28	1790001261	S.DIO MA2S077G0L	B	8.5/11.2

M.=Mounted side (T: Mounted on the Top side, B: Mounted on the Bottom side)  
S.=Surface mount

[MAIN UNIT] (For F24/S F25/S F26/S F4018)

REF NO.	PARTS NO.	DESCRIPTION	M.	H/V LOCATION
D29	1750000940	S.DIO ISS400 TE61	B	23.1/4
D30	1750001080	S.DIO RB886G T2R	T	88.5/36.2
D31	1790001011	S.ZEN MAZ8043GLL	[B]	74.5/19.9
	1790001011	S.ZEN MAZ8043GLL	[F]	
	1790001011	S.ZEN MAZ8043GLL	[L]	
	1790001011	S.ZEN MAZ8043GLL	[P]	
	1790001011	S.ZEN MAZ8043GLL	[T]	
F11	2030000150	S.MON DSF753SB 46.350 MHz (FL-335)	B	62.8/27.1
F12	2020002410	CER LTM450FW <JJE>		
F13	2040001440	S.LC NFE31PT152Z1E9L (NFM60R20T152)	B	81.2/17.8
X1	6070000191	S.DIS CDBKB450KCAY24-R0	T	54.4/20
X2	6050011940	S.XTA CR-783 TTS14VSB-A6 15.3 MHz	T	36.9/28.9
X3	6050011720	S.XTA CR-764 SMD-49TB 19.6608 MHz	B	12/5.9
L1	6200012490	S.COI 0.30-0.9-6TR 13.6N <COMO>	B	94.7/36.4
L2	6200013010	S.COI 0.30-0.9-5TL 10.3N <COMO>	B	94.8/31.9
L3	6200012610	S.COI 0.40-0.9-2TL 2.8N <COMO>	B	92.9/26.3
L4	6200012610	S.COI 0.40-0.9-2TL 2.8N <COMO>	B	89.9/20.6
L5	6200010850	S.COI LQW18AN22NG00D (LQW1608A22NG00)	[A]	89.1/36.5
			[B]	
	6200009070	S.COI LQW18AN18NG00D (LQW1608A18NG00)	[B]	
	6200010850	S.COI LQW18AN22NG00D (LQW1608A22NG00)	[C]	
	6200010850	S.COI LQW18AN22NG00D (LQW1608A22NG00)	[D]	
	6200010850	S.COI LQW18AN22NG00D (LQW1608A22NG00)	[E]	
	6200009070	S.COI LQW18AN18NG00D (LQW1608A18NG00)	[F]	
	6200010850	S.COI LQW18AN22NG00D (LQW1608A22NG00)	[G]	
	6200010850	S.COI LQW18AN22NG00D (LQW1608A22NG00)	[H]	
	6200010850	S.COI LQW18AN22NG00D (LQW1608A22NG00)	[I]	
	6200010850	S.COI LQW18AN22NG00D (LQW1608A22NG00)	[K]	
	6200009070	S.COI LQW18AN18NG00D (LQW1608A18NG00)	[L]	
	6200010850	S.COI LQW18AN22NG00D (LQW1608A22NG00)	[M]	
	6200010850	S.COI LQW18AN22NG00D (LQW1608A22NG00)	[N]	
	6200009070	S.COI LQW18AN18NG00D (LQW1608A22NG00)	[O]	
	6200010850	S.COI LQW18AN22NG00D (LQW1608A22NG00)	[P]	
	6200010850	S.COI LQW18AN22NG00D (LQW1608A22NG00)	[Q]	
	6200010850	S.COI LQW18AN22NG00D (LQW1608A22NG00)	[R]	
	6200010850	S.COI LQW18AN22NG00D (LQW1608A22NG00)	[S]	
	6200009070	S.COI LQW18AN18NG00D (LQW1608A18NG00)	[T]	
	6200010850	S.COI LQW18AN22NG00D (LQW1608A22NG00)	[U]	
	6200010850	S.COI LQW18AN22NG00D (LQW1608A22NG00)	[W]	
L7	6200007700	S.COI LQW2BHN22NJ03L	[A]	84.3/34.5
	6200007690	S.COI LQW2BHN18NJ03L	[B]	
	6200007700	S.COI LQW2BHN22NJ03L	[C]	
	6200007700	S.COI LQW2BHN22NJ03L	[D]	
	6200007700	S.COI LQW2BHN22NJ03L	[E]	
	6200007690	S.COI LQW2BHN18NJ03L	[F]	
	6200007700	S.COI LQW2BHN22NJ03L	[G]	
	6200007700	S.COI LQW2BHN22NJ03L	[H]	
	6200007700	S.COI LQW2BHN22NJ03L	[I]	
	6200007700	S.COI LQW2BHN22NJ03L	[K]	
	6200007690	S.COI LQW2BHN18NJ03L	[L]	
	6200007700	S.COI LQW2BHN22NJ03L	[M]	
	6200007700	S.COI LQW2BHN22NJ03L	[N]	
	6200007700	S.COI LQW2BHN22NJ03L	[O]	
	6200007690	S.COI LQW2BHN18NJ03L	[P]	
	6200007700	S.COI LQW2BHN22NJ03L	[Q]	
	6200007700	S.COI LQW2BHN22NJ03L	[R]	
	6200007690	S.COI LQW2BHN18NJ03L	[S]	
	6200007700	S.COI LQW2BHN22NJ03L	[T]	
	6200007700	S.COI LQW2BHN22NJ03L	[U]	
	6200007700	S.COI LQW2BHN22NJ03L	[W]	

[MAIN UNIT] (For F24/S F25/S F26/S F4018)

REF NO.	PARTS NO.	DESCRIPTION	M.	H/V LOCATION		
L8	6200007700	S.COI LQW2BHN22NJ03L	[A]	78.9/35.3		
	6200007690	S.COI LQW2BHN18NJ03L	[B]			
	6200007700	S.COI LQW2BHN22NJ03L	[C]			
	6200007700	S.COI LQW2BHN22NJ03L	[D]			
	6200007700	S.COI LQW2BHN22NJ03L	[E]			
	6200007690	S.COI LQW2BHN18NJ03L	[F]			
	6200007700	S.COI LQW2BHN22NJ03L	[G]			
	6200007700	S.COI LQW2BHN22NJ03L	[H]			
	6200007700	S.COI LQW2BHN22NJ03L	[I]			
	6200007700	S.COI LQW2BHN22NJ03L	[K]			
	6200007690	S.COI LQW2BHN18NJ03L	[L]			
	6200007700	S.COI LQW2BHN22NJ03L	[M]			
	6200007700	S.COI LQW2BHN22NJ03L	[N]			
	6200007700	S.COI LQW2BHN22NJ03L	[O]			
	6200007690	S.COI LQW2BHN18NJ03L	[P]			
	6200007700	S.COI LQW2BHN22NJ03L	[Q]			
	6200007700	S.COI LQW2BHN22NJ03L	[R]			
	6200007700	S.COI LQW2BHN22NJ03L	[S]			
	6200007690	S.COI LQW2BHN18NJ03L	[T]			
	6200007700	S.COI LQW2BHN22NJ03L	[U]			
	6200007700	S.COI LQW2BHN22NJ03L	[W]			
	L9	6200007680	S.COI LQW2BHN12NJ03L		[A]	75.9/35.2
		6200007670	S.COI LQW2BHN10NJ03L		[B]	
		6200007680	S.COI LQW2BHN12NJ03L		[C]	
		6200007680	S.COI LQW2BHN12NJ03L		[D]	
		6200007680	S.COI LQW2BHN12NJ03L		[E]	
		6200007670	S.COI LQW2BHN10NJ03L		[F]	
6200007680		S.COI LQW2BHN12NJ03L	[G]			
6200007680		S.COI LQW2BHN12NJ03L	[H]			
6200007680		S.COI LQW2BHN12NJ03L	[I]			
6200007680		S.COI LQW2BHN12NJ03L	[K]			
6200007670		S.COI LQW2BHN10NJ03L	[L]			
6200007680		S.COI LQW2BHN12NJ03L	[M]			
6200007680		S.COI LQW2BHN12NJ03L	[N]			
6200007680		S.COI LQW2BHN12NJ03L	[O]			
6200007670		S.COI LQW2BHN10NJ03L	[P]			
6200007680		S.COI LQW2BHN12NJ03L	[Q]			
6200007680		S.COI LQW2BHN12NJ03L	[R]			
6200007680		S.COI LQW2BHN12NJ03L	[S]			
6200007670		S.COI LQW2BHN10NJ03L	[T]			
6200007680		S.COI LQW2BHN12NJ03L	[U]			
6200007680		S.COI LQW2BHN12NJ03L	[W]			
L11		6200007230	S.COI LQW2BHN15NJ03L	[A]	70.6/37.8	
		6200007680	S.COI LQW2BHN12NJ03L	[B]		
		6200007230	S.COI LQW2BHN15NJ03L	[C]		
		6200007230	S.COI LQW2BHN15NJ03L	[D]		
		6200007230	S.COI LQW2BHN15NJ03L	[E]		
		6200007680	S.COI LQW2BHN12NJ03L	[F]		
	6200007230	S.COI LQW2BHN15NJ03L	[G]			
	6200007230	S.COI LQW2BHN15NJ03L	[H]			
	6200007230	S.COI LQW2BHN15NJ03L	[I]			
	6200007230	S.COI LQW2BHN15NJ03L	[K]			
	6200007680	S.COI LQW2BHN12NJ03L	[L]			
	6200007230	S.COI LQW2BHN15NJ03L	[M]			
	6200007230	S.COI LQW2BHN15NJ03L	[N]			
	6200007230	S.COI LQW2BHN15NJ03L	[O]			
	6200007680	S.COI LQW2BHN12NJ03L	[P]			
	6200007230	S.COI LQW2BHN15NJ03L	[Q]			
	6200007230	S.COI LQW2BHN15NJ03L	[R]			
	6200007230	S.COI LQW2BHN15NJ03L	[S]			
	6200007680	S.COI LQW2BHN12NJ03L	[T]			
	6200007230	S.COI LQW2BHN15NJ03L	[U]			
	6200007230	S.COI LQW2BHN15NJ03L	[W]			
	L12	6200011001	S.COI ELJRF 56NJFB	[A]		64.2/39
		6200011001	S.COI ELJRF 56NJFB	[B]		
		6200011001	S.COI ELJRF 56NJFB	[C]		
		6200011001	S.COI ELJRF 56NJFB	[D]		
		6200011001	S.COI ELJRF 56NJFB	[E]		
		6200011001	S.COI ELJRF 56NJFB	[F]		
6200011001		S.COI ELJRF 56NJFB	[G]			
6200005721		S.COI ELJRE 33NGFA	[H]			
6200011001		S.COI ELJRF 56NJFB	[I]			
6200011001		S.COI ELJRF 56NJFB	[K]			
6200011001		S.COI ELJRF 56NJFB	[L]			
6200011001		S.COI ELJRF 56NJFB	[M]			
6200011001		S.COI ELJRF 56NJFB	[N]			
6200005721		S.COI ELJRE 33NGFA	[O]			
6200005731		S.COI ELJRE 39NGFA	[P]			
6200011001		S.COI ELJRF 56NJFB	[Q]			
6200011001		S.COI ELJRF 56NJFB	[R]			
6200011001	S.COI ELJRF 56NJFB	[S]				
6200011001	S.COI ELJRF 56NJFB	[T]				
6200011001	S.COI ELJRF 56NJFB	[U]				
6200011001	S.COI ELJRF 56NJFB	[W]				

M.=Mounted side (T: Mounted on the Top side, B: Mounted on the Bottom side) S.=Surface mount

[MAIN UNIT] (For F24/S F25/S F26/S F4018)

REF NO.	PARTS NO.	DESCRIPTION	M.	H/V LOCATION
L13	6200004770	S.COI ELJNC R56J-F	[A]	B 66.8/33.9
	6200007850	S.COI ELJNC R82K-F	[B]	
	6200004770	S.COI ELJNC R56J-F	[C]	
	6200004770	S.COI ELJNC R56J-F	[D]	
	6200004770	S.COI ELJNC R56J-F	[E]	
	6200007850	S.COI ELJNC R82K-F	[F]	
	6200004770	S.COI ELJNC R56J-F	[G]	
	6200004770	S.COI ELJNC R56J-F	[H]	
	6200004770	S.COI ELJNC R56J-F	[I]	
	6200004770	S.COI ELJNC R56J-F	[J]	
	6200007850	S.COI ELJNC R82K-F	[L]	
	6200004770	S.COI ELJNC R56J-F	[M]	
	6200004770	S.COI ELJNC R56J-F	[N]	
	6200004770	S.COI ELJNC R56J-F	[O]	
	6200007850	S.COI ELJNC R82K-F	[P]	
	6200004770	S.COI ELJNC R56J-F	[Q]	
	6200004770	S.COI ELJNC R56J-F	[R]	
	6200004770	S.COI ELJNC R56J-F	[S]	
	6200007850	S.COI ELJNC R82K-F	[T]	
	6200004770	S.COI ELJNC R56J-F	[U]	
	6200004770	S.COI ELJNC R56J-F	[W]	
L15	6200002851	S.COI NLV25T-R82J	T	93.8/31.8
L17	6200012980	S.COI 0.40-1.4-5TR 18.3N <COMO>	B	81.2/20.9
L19	6200005671	S.COI ELJRE 12NGFA	[A]	T 76/35.5
	6200005661	S.COI ELJRE 10NGFA	[B]	
	6200005671	S.COI ELJRE 12NGFA	[C]	
	6200005671	S.COI ELJRE 12NGFA	[D]	
	6200005671	S.COI ELJRE 12NGFA	[E]	
	6200005661	S.COI ELJRE 10NGFA	[F]	
	6200005671	S.COI ELJRE 12NGFA	[G]	
	6200005671	S.COI ELJRE 12NGFA	[H]	
	6200005671	S.COI ELJRE 12NGFA	[I]	
	6200005671	S.COI ELJRE 12NGFA	[K]	
	6200005661	S.COI ELJRE 10NGFA	[L]	
	6200005671	S.COI ELJRE 12NGFA	[M]	
	6200005671	S.COI ELJRE 12NGFA	[N]	
	6200005671	S.COI ELJRE 12NGFA	[O]	
	6200005661	S.COI ELJRE 10NGFA	[P]	
	6200005671	S.COI ELJRE 12NGFA	[Q]	
	6200005671	S.COI ELJRE 12NGFA	[R]	
	6200005671	S.COI ELJRE 12NGFA	[S]	
	6200005661	S.COI ELJRE 10NGFA	[T]	
	6200005671	S.COI ELJRE 12NGFA	[U]	
	6200005671	S.COI ELJRE 12NGFA	[W]	
L20	6200005691	S.COI ELJRE 18NGFA	[A]	T 68.8/33.1
	6200005681	S.COI ELJRE 15NGFA	[B]	
	6200005691	S.COI ELJRE 18NGFA	[C]	
	6200005691	S.COI ELJRE 18NGFA	[D]	
	6200005691	S.COI ELJRE 18NGFA	[E]	
	6200005681	S.COI ELJRE 15NGFA	[F]	
	6200005691	S.COI ELJRE 18NGFA	[G]	
	6200005691	S.COI ELJRE 18NGFA	[H]	
	6200005691	S.COI ELJRE 18NGFA	[I]	
	6200005691	S.COI ELJRE 18NGFA	[K]	
	6200005681	S.COI ELJRE 15NGFA	[L]	
	6200005691	S.COI ELJRE 18NGFA	[M]	
	6200005691	S.COI ELJRE 18NGFA	[N]	
	6200005691	S.COI ELJRE 18NGFA	[O]	
	6200005691	S.COI ELJRE 18NGFA	[Q]	
	6200005691	S.COI ELJRE 18NGFA	[R]	
	6200005691	S.COI ELJRE 18NGFA	[S]	
	6200005681	S.COI ELJRE 15NGFA	[T]	
	6200005691	S.COI ELJRE 18NGFA	[U]	
	6200005691	S.COI ELJRE 18NGFA	[W]	
L21	6200007881	S.COI ELJRF 33NJFB	T	59.2/38.6
L22	6200007901	S.COI ELJRF 22NJFB	T	59.5/33.3
L23	6200002851	S.COI NLV25T-R82J	T	55.2/28.1
L25	6200013630	S.COI 0.30-0.9-3TR 5.8N 5PER<COMO>	T	49.5/29.9
L26	6200013580	S.COI 0.30-0.9-4TR 5PER <COMO>	T	49/37.9
L27	6200004951	S.COI NLV25T-1R8J	B	52.8/29
L28	6200004951	S.COI NLV25T-1R8J	B	52/36.6
L29	6200004660	S.COI MLF1608A 1R8K-T	T	43.9/36.4
L30	6200007881	S.COI ELJRF 33NJFB	B	85.1/38.7
L32	6200007911	S.COI ELJRF 18NJFB	B	55.9/42.3
L33	6200004480	S.COI MLF1608D R82K-T	T	43.4/25.9
L35	6200003540	S.COI MLF1608D R22K-T	T	41.7/31.8
L38	6200005711	S.COI ELJRE 27NGFA	B	65.6/40.7
L40	6200002851	S.COI NLV25T-R82J	T	53.6/34.6
L41	6200007881	S.COI ELJRF 33NJFB	B	58.4/38.2
L42	6200004951	S.COI NLV25T-1R8J	B	49.4/34
L43	6200004951	S.COI NLV25T-1R8J	B	49.4/31.1
L45	6200012490	S.COI 0.30-0.9-6TR 13.6N <COMO>	B	94.9/39.6
R1	7030003490	S.RES ERJ3GEYJ 272 V (2.7K)	B	91.8/39.9
R2	7030005120	S.RES ERJ2GEJ 102 X (1K)	B	92.1/37.7

[MAIN UNIT] (For F24/S F25/S F26/S F4018)

REF NO.	PARTS NO.	DESCRIPTION	M.	H/V LOCATION
R3	7030004970	S.RES ERJ2GEJ 470 X (47)	[A]	T 66.7/22.7
	7030005570	S.RES ERJ2GEJ 820 X (82)	[B]	
	7030004970	S.RES ERJ2GEJ 470 X (47)	[C]	
	7030004970	S.RES ERJ2GEJ 470 X (47)	[D]	
	7030004970	S.RES ERJ2GEJ 470 X (47)	[E]	
	7030005570	S.RES ERJ2GEJ 820 X (82)	[F]	
	7030004970	S.RES ERJ2GEJ 470 X (47)	[G]	
	7030004970	S.RES ERJ2GEJ 470 X (47)	[H]	
	7030004970	S.RES ERJ2GEJ 470 X (47)	[I]	
	7030004970	S.RES ERJ2GEJ 470 X (47)	[K]	
	7030005570	S.RES ERJ2GEJ 820 X (82)	[L]	
	7030004970	S.RES ERJ2GEJ 470 X (47)	[M]	
	7030004970	S.RES ERJ2GEJ 470 X (47)	[N]	
	7030004970	S.RES ERJ2GEJ 470 X (47)	[O]	
	7030005570	S.RES ERJ2GEJ 820 X (82)	[P]	
	7030004970	S.RES ERJ2GEJ 470 X (47)	[Q]	
	7030004970	S.RES ERJ2GEJ 470 X (47)	[R]	
	7030004970	S.RES ERJ2GEJ 470 X (47)	[S]	
	7030005570	S.RES ERJ2GEJ 820 X (82)	[T]	
	7030004970	S.RES ERJ2GEJ 470 X (47)	[U]	
	7030004970	S.RES ERJ2GEJ 470 X (47)	[W]	
R4	7030005050	S.RES ERJ2GEJ 103 X (10K)	T	75.8/20.8
R5	7030005050	S.RES ERJ2GEJ 103 X (10K)	[A]	T 73.3/21.1
	7030005220	S.RES ERJ2GEJ 223 X (22K)	[B]	
	7030005050	S.RES ERJ2GEJ 103 X (10K)	[C]	
	7030005050	S.RES ERJ2GEJ 103 X (10K)	[D]	
	7030005050	S.RES ERJ2GEJ 103 X (10K)	[E]	
	7030005220	S.RES ERJ2GEJ 223 X (22K)	[F]	
	7030005050	S.RES ERJ2GEJ 103 X (10K)	[G]	
	7030005050	S.RES ERJ2GEJ 103 X (10K)	[H]	
	7030005050	S.RES ERJ2GEJ 103 X (10K)	[I]	
	7030005050	S.RES ERJ2GEJ 103 X (10K)	[K]	
	7030005220	S.RES ERJ2GEJ 223 X (22K)	[L]	
	7030005050	S.RES ERJ2GEJ 103 X (10K)	[M]	
	7030005050	S.RES ERJ2GEJ 103 X (10K)	[N]	
	7030005050	S.RES ERJ2GEJ 103 X (10K)	[O]	
	7030005220	S.RES ERJ2GEJ 223 X (22K)	[P]	
	7030005050	S.RES ERJ2GEJ 103 X (10K)	[Q]	
	7030005050	S.RES ERJ2GEJ 103 X (10K)	[R]	
	7030005050	S.RES ERJ2GEJ 103 X (10K)	[S]	
	7030005220	S.RES ERJ2GEJ 223 X (22K)	[T]	
	7030005050	S.RES ERJ2GEJ 103 X (10K)	[U]	
	7030005050	S.RES ERJ2GEJ 103 X (10K)	[W]	
R6	7030005090	S.RES ERJ2GEJ 104 X (100K)	T	66.7/18.2
R7	7030005310	S.RES ERJ2GEJ 124 X (120K)	T	68/17.7
R8	7030005170	S.RES ERJ2GEJ 474 X (470K)	[A]	T 71.3/21.1
	7030005100	S.RES ERJ2GEJ 154 X (150K)	[B]	
	7030005170	S.RES ERJ2GEJ 474 X (470K)	[C]	
	7030005170	S.RES ERJ2GEJ 474 X (470K)	[D]	
	7030005170	S.RES ERJ2GEJ 474 X (470K)	[E]	
	7030005100	S.RES ERJ2GEJ 154 X (150K)	[F]	
	7030005170	S.RES ERJ2GEJ 474 X (470K)	[G]	
	7030005170	S.RES ERJ2GEJ 474 X (470K)	[H]	
	7030005170	S.RES ERJ2GEJ 474 X (470K)	[I]	
	7030005170	S.RES ERJ2GEJ 474 X (470K)	[K]	
	7030005100	S.RES ERJ2GEJ 154 X (150K)	[L]	
	7030005170	S.RES ERJ2GEJ 474 X (470K)	[M]	
	7030005170	S.RES ERJ2GEJ 474 X (470K)	[N]	
	7030005170	S.RES ERJ2GEJ 474 X (470K)	[O]	
	7030005100	S.RES ERJ2GEJ 154 X (150K)	[P]	
	7030005170	S.RES ERJ2GEJ 474 X (470K)	[Q]	
	7030005170	S.RES ERJ2GEJ 474 X (470K)	[R]	
	7030005170	S.RES ERJ2GEJ 474 X (470K)	[S]	
	7030005100	S.RES ERJ2GEJ 154 X (150K)	[T]	
	7030005170	S.RES ERJ2GEJ 474 X (470K)	[U]	
	7030005170	S.RES ERJ2GEJ 474 X (470K)	[W]	
R9	7030008280	S.RES ERJ2GEJ 271 X (270)	T	71.3/22.4
R10	7030005120	S.RES ERJ2GEJ 102 X (1K)	T	68.4/24
R11	7030005090	S.RES ERJ2GEJ 104 X (100K)	T	85.5/36.7
R12	7030005530	S.RES ERJ2GEJ 100 X (10)	T	77.5/37.5
R13	7030005090	S.RES ERJ2GEJ 104 X (100K)	T	82.3/35.7
R14	7030005050	S.RES ERJ2GEJ 103 X (10K)	T	83.9/36.7
R15	7030005240	S.RES ERJ2GEJ 473 X (47K)	B	79.1/39
R16	7030004980	S.RES ERJ2GEJ 101 X (100)	B	74.8/39.9
R17	7030004970	S.RES ERJ2GEJ 470 X (47)	B	74/33.3
R18	7030005050	S.RES ERJ2GEJ 103 X (10K)	T	78.8/36.7
R19	7030005080	S.RES ERJ2GEJ 823 X (82K)	T	78.8/38.7
R20	7030005120	S.RES ERJ2GEJ 102 X (1K)	[A]	B 75.9/33.6
	7030005240	S.RES ERJ2GEJ 473 X (47K)	[B]	
	7030005120	S.RES ERJ2GEJ 102 X (1K)	[C]	
	7030005120	S.RES ERJ2GEJ 102 X (1K)	[D]	
	7030005120	S.RES ERJ2GEJ 102 X (1K)	[E]	
	7030005240	S.RES ERJ2GEJ 473 X (47K)	[F]	
	7030005120	S.RES ERJ2GEJ 102 X (1K)	[G]	
	7030005120	S.RES ERJ2GEJ 102 X (1K)	[H]	
	7030005120	S.RES ERJ2GEJ 102 X (1K)	[I]	
	7030005120	S.RES ERJ2GEJ 102 X (1K)	[K]	
	7030005240	S.RES ERJ2GEJ 473 X (47K)	[L]	
	7030005120	S.RES ERJ2GEJ 102 X (1K)	[M]	
	7030005120	S.RES ERJ2GEJ 102 X (1K)	[N]	
	7030005120	S.RES ERJ2GEJ 102 X (1K)	[O]	
	7030005240	S.RES ERJ2GEJ 473 X (47K)	[P]	
	7030005120	S.RES ERJ2GEJ 102 X (1K)	[Q]	
	7030005120	S.RES ERJ2GEJ 102 X (1K)	[R]	
	7030005120	S.RES ERJ2GEJ 102 X (1K)	[S]	
	7030005240	S.RES ERJ2GEJ 473 X (47K)	[T]	
	7030005120	S.RES ERJ2GEJ 102 X (1K)	[U]	
	7030005120	S.RES ERJ2GEJ 102 X (1K)	[W]	
R21	7030005110	S.RES ERJ2GEJ 224 X (220K)	T	72.2/38.9
R22	7030005050	S.RES ERJ2GEJ 103 X (10K)	T	69.2/38.9
R23	7030005110	S.RES ERJ2GEJ 224 X (220K)	T	71.2/38.9
R24	7030005050	S.RES ERJ2GEJ 103 X (10K)	T	64.6/38

M.=Mounted side (T: Mounted on the Top side, B: Mounted on the Bottom side)  
S.=Surface mount



[MAIN UNIT] (For F24/S F25/S F26/S F4018)

REF NO.	PARTS NO.	DESCRIPTION	M.	H/V LOCATION		
R25	7030008010	S.RES ERJ2GEJ 123 X (12K)	[A]	B 68/37.8		
	7030005050	S.RES ERJ2GEJ 103 X (10K)	[B]			
	7030008010	S.RES ERJ2GEJ 123 X (12K)	[C]			
	7030008010	S.RES ERJ2GEJ 123 X (12K)	[D]			
	7030008010	S.RES ERJ2GEJ 123 X (12K)	[E]			
	7030005050	S.RES ERJ2GEJ 103 X (10K)	[F]			
	7030008010	S.RES ERJ2GEJ 123 X (12K)	[G]			
	7030008010	S.RES ERJ2GEJ 123 X (12K)	[H]			
	7030008010	S.RES ERJ2GEJ 123 X (12K)	[I]			
	7030008010	S.RES ERJ2GEJ 123 X (12K)	[K]			
	7030005050	S.RES ERJ2GEJ 103 X (10K)	[L]			
	7030008010	S.RES ERJ2GEJ 123 X (12K)	[M]			
	7030008010	S.RES ERJ2GEJ 123 X (12K)	[N]			
	7030008010	S.RES ERJ2GEJ 123 X (12K)	[O]			
	7030005050	S.RES ERJ2GEJ 103 X (10K)	[P]			
	7030008010	S.RES ERJ2GEJ 123 X (12K)	[Q]			
	7030008010	S.RES ERJ2GEJ 123 X (12K)	[R]			
	7030008010	S.RES ERJ2GEJ 123 X (12K)	[S]			
	7030005050	S.RES ERJ2GEJ 103 X (10K)	[T]			
	7030008010	S.RES ERJ2GEJ 123 X (12K)	[U]			
	7030008010	S.RES ERJ2GEJ 123 X (12K)	[W]			
	R26	7030007340	S.RES ERJ2GEJ 153 X (15K)		[A]	B 64.2/38.1
		7030008010	S.RES ERJ2GEJ 123 X (12K)		[B]	
		7030007340	S.RES ERJ2GEJ 153 X (15K)		[C]	
		7030007340	S.RES ERJ2GEJ 153 X (15K)		[D]	
7030007340		S.RES ERJ2GEJ 153 X (15K)	[E]			
7030008010		S.RES ERJ2GEJ 123 X (12K)	[F]			
7030007340		S.RES ERJ2GEJ 153 X (15K)	[G]			
7030007340		S.RES ERJ2GEJ 153 X (15K)	[H]			
7030007340		S.RES ERJ2GEJ 153 X (15K)	[I]			
7030007340		S.RES ERJ2GEJ 153 X (15K)	[J]			
7030007340		S.RES ERJ2GEJ 153 X (15K)	[K]			
7030008010		S.RES ERJ2GEJ 123 X (12K)	[L]			
7030007340		S.RES ERJ2GEJ 153 X (15K)	[M]			
7030007340		S.RES ERJ2GEJ 153 X (15K)	[N]			
7030007340		S.RES ERJ2GEJ 153 X (15K)	[O]			
7030008010		S.RES ERJ2GEJ 123 X (12K)	[P]			
7030007340		S.RES ERJ2GEJ 153 X (15K)	[Q]			
7030007340		S.RES ERJ2GEJ 153 X (15K)	[R]			
7030007340		S.RES ERJ2GEJ 153 X (15K)	[S]			
7030007340		S.RES ERJ2GEJ 153 X (15K)	[T]			
7030007340		S.RES ERJ2GEJ 153 X (15K)	[U]			
7030007340		S.RES ERJ2GEJ 153 X (15K)	[W]			
R27		7030005310	S.RES ERJ2GEJ 124 X (120K)	B	B 62.5/38.1	
R28		7030005080	S.RES ERJ2GEJ 823 X (82K)	B	B 62.5/40.8	
R29		7030004980	S.RES ERJ2GEJ 101 X (100)	B	B 64.2/35.1	
R30	7030005120	S.RES ERJ2GEJ 102 X (1K)	[A]	B 67.7/35.7		
	7030005000	S.RES ERJ2GEJ 471 X (470)	[B]			
	7030005120	S.RES ERJ2GEJ 102 X (1K)	[C]			
	7030005120	S.RES ERJ2GEJ 102 X (1K)	[D]			
	7030005120	S.RES ERJ2GEJ 102 X (1K)	[E]			
	7030005000	S.RES ERJ2GEJ 471 X (470)	[F]			
	7030005120	S.RES ERJ2GEJ 102 X (1K)	[G]			
	7030005120	S.RES ERJ2GEJ 102 X (1K)	[H]			
	7030005120	S.RES ERJ2GEJ 102 X (1K)	[I]			
	7030005120	S.RES ERJ2GEJ 102 X (1K)	[J]			
	7030005000	S.RES ERJ2GEJ 471 X (470)	[K]			
	7030005120	S.RES ERJ2GEJ 102 X (1K)	[L]			
	7030005120	S.RES ERJ2GEJ 102 X (1K)	[M]			
	7030005120	S.RES ERJ2GEJ 102 X (1K)	[N]			
	7030005120	S.RES ERJ2GEJ 102 X (1K)	[O]			
	7030005000	S.RES ERJ2GEJ 471 X (470)	[P]			
	7030005120	S.RES ERJ2GEJ 102 X (1K)	[Q]			
	7030005120	S.RES ERJ2GEJ 102 X (1K)	[R]			
	7030005120	S.RES ERJ2GEJ 102 X (1K)	[S]			
	7030005120	S.RES ERJ2GEJ 102 X (1K)	[T]			
	7030005120	S.RES ERJ2GEJ 102 X (1K)	[U]			
	7030005120	S.RES ERJ2GEJ 102 X (1K)	[W]			
	R31	7030004980	S.RES ERJ2GEJ 101 X (100)		B	B 64.2/32.1
	R32	7030010040	S.RES ERJ2GEJ-JPW		B	B 66.1/31.1
	R33	7030007270	S.RES ERJ2GEJ 151 X (150)		B	B 55.5/25.2
R34	7030005110	S.RES ERJ2GEJ 224 X (220K)	B	B 52.5/25.2		
R35	7030004980	S.RES ERJ2GEJ 101 X (100)	B	B 50.5/25.2		
R36	7030007300	S.RES ERJ2GEJ 332 X (3.3K)	T	T 52.5/15.5		
R37	7030009140	S.RES ERJ2GEJ 272 X (2.7K)	T	T 50.7/16.3		
R38	7030005090	S.RES ERJ2GEJ 104 X (100K)	T	T 46.5/21		
R39	7030004970	S.RES ERJ2GEJ 470 X (47)	B	B 55.8/22.3		
R40	7030007270	S.RES ERJ2GEJ 151 X (150)	B	B 56.2/21.1		
R43	7030004970	S.RES ERJ2GEJ 470 X (47)	B	B 47.5/15.4		
R44	7030005090	S.RES ERJ2GEJ 104 X (100K)	B	B 54.8/15.4		
R45	7030005090	S.RES ERJ2GEJ 104 X (100K)	B	B 52.8/13.7		
R46	7030005000	S.RES ERJ2GEJ 471 X (470)	B	B 53.8/13.7		
R48	7030005000	S.RES ERJ2GEJ 471 X (470)	B	B 51.5/25.2		
R50	7030004980	S.RES ERJ2GEJ 101 X (100)	T	T 66.3/38		
R51	7030003670	S.RES ERJ3GEVJ 823 V (82K)	B	B 96.5/37.3		
R52	7030004990	S.RES ERJ2GEJ 221 X (220)	T	T 93.3/35.9		

[MAIN UNIT] (For F24/S F25/S F26/S F4018)

REF NO.	PARTS NO.	DESCRIPTION	M.	H/V LOCATION		
R53	7030005530	S.RES ERJ2GEJ 100 X (10)	[A]	T 80/22.5		
	7030005710	S.RES ERJ2GEJ 121 X (120)	[B]			
	7030005530	S.RES ERJ2GEJ 100 X (10)	[C]			
	7030005530	S.RES ERJ2GEJ 100 X (10)	[D]			
	7030005530	S.RES ERJ2GEJ 100 X (10)	[E]			
	7030005710	S.RES ERJ2GEJ 121 X (120)	[F]			
	7030005530	S.RES ERJ2GEJ 100 X (10)	[G]			
	7030005530	S.RES ERJ2GEJ 100 X (10)	[H]			
	7030005530	S.RES ERJ2GEJ 100 X (10)	[I]			
	7030005530	S.RES ERJ2GEJ 100 X (10)	[K]			
	7030005710	S.RES ERJ2GEJ 121 X (120)	[L]			
	7030005530	S.RES ERJ2GEJ 100 X (10)	[M]			
	7030005530	S.RES ERJ2GEJ 100 X (10)	[N]			
	7030005530	S.RES ERJ2GEJ 100 X (10)	[O]			
	7030005710	S.RES ERJ2GEJ 121 X (120)	[P]			
	7030005530	S.RES ERJ2GEJ 100 X (10)	[Q]			
	7030005530	S.RES ERJ2GEJ 100 X (10)	[R]			
	7030005530	S.RES ERJ2GEJ 100 X (10)	[S]			
	7030005710	S.RES ERJ2GEJ 121 X (120)	[T]			
	7030005530	S.RES ERJ2GEJ 100 X (10)	[U]			
	7030005530	S.RES ERJ2GEJ 100 X (10)	[W]			
	R54	7030005060	S.RES ERJ2GEJ 333 X (33K)		T	81.3/21.4
	R55	7030005040	S.RES ERJ2GEJ 472 X (4.7K)		T	80/20.9
	R56	7030003860	S.RES ERJ3GE JPW V		T	78/22.4
	R57	7030004970	S.RES ERJ2GEJ 470 X (47)		T	75.2/23.2
R58	7030005060	S.RES ERJ2GEJ 333 X (33K)	[B]	T 72.1/24		
	7030005060	S.RES ERJ2GEJ 333 X (33K)	[F]			
R59	7030005060	S.RES ERJ2GEJ 333 X (33K)	[L]	T 71.2/24		
	7030005060	S.RES ERJ2GEJ 333 X (33K)	[P]			
R61	7030005040	S.RES ERJ2GEJ 472 X (4.7K)	[T]	T 71.8/36.3		
	7030004970	S.RES ERJ2GEJ 470 X (47)	T			
R62	7030005220	S.RES ERJ2GEJ 223 X (22K)	T	72.1/35		
R65	7030004980	S.RES ERJ2GEJ 101 X (100)	T	69.4/34.2		
R66	7030007340	S.RES ERJ2GEJ 153 X (15K)	T	67.8/34.2		
R67	7030004980	S.RES ERJ2GEJ 101 X (100)	T	67.8/35.1		
R68	7030005050	S.RES ERJ2GEJ 103 X (10K)	T	69.4/35.1		
R69	7030005040	S.RES ERJ2GEJ 472 X (4.7K)	T	64.1/35.2		
R70	7030005530	S.RES ERJ2GEJ 100 X (10)	B	57.6/40.3		
R71	7030005070	S.RES ERJ2GEJ 683 X (68K)	T	58.2/38.6		
R73	7030004980	S.RES ERJ2GEJ 101 X (100)	B	57.7/30.5		
R75	7030005110	S.RES ERJ2GEJ 224 X (220K)	B	58.4/36.1		
R76	7030004980	S.RES ERJ2GEJ 101 X (100)	B	57.6/39.3		
R77	7030005050	S.RES ERJ2GEJ 103 X (10K)	B	56.7/30.5		
R78	7030005090	S.RES ERJ2GEJ 104 X (100K)	T	57.8/33.1		
R79	7030006020	S.RES RR0510P-682-D (6.8K)	T	56.5/39.3		
R80	7030008370	S.RES ERJ2GEJ 561 X (560)	[A]	B 54.6/32.8		
	7030005120	S.RES ERJ2GEJ 102 X (1K)	[B]			
	7030008370	S.RES ERJ2GEJ 561 X (560)	[C]			
	7030008370	S.RES ERJ2GEJ 561 X (560)	[D]			
	7030008370	S.RES ERJ2GEJ 561 X (560)	[E]			
	7030005120	S.RES ERJ2GEJ 102 X (1K)	[F]			
	7030008370	S.RES ERJ2GEJ 561 X (560)	[G]			
	7030008370	S.RES ERJ2GEJ 561 X (560)	[H]			
	7030008370	S.RES ERJ2GEJ 561 X (560)	[I]			
	7030008370	S.RES ERJ2GEJ 561 X (560)	[K]			
	7030005120	S.RES ERJ2GEJ 102 X (1K)	[L]			
	7030008370	S.RES ERJ2GEJ 561 X (560)	[M]			
	7030008370	S.RES ERJ2GEJ 561 X (560)	[N]			
	7030008370	S.RES ERJ2GEJ 561 X (560)	[O]			
	7030005120	S.RES ERJ2GEJ 102 X (1K)	[P]			
	7030008370	S.RES ERJ2GEJ 561 X (560)	[Q]			
	7030008370	S.RES ERJ2GEJ 561 X (560)	[R]			
	7030008370	S.RES ERJ2GEJ 561 X (560)	[S]			
	7030005120	S.RES ERJ2GEJ 102 X (1K)	[T]			
	7030008370	S.RES ERJ2GEJ 561 X (560)	[U]			
	7030008370	S.RES ERJ2GEJ 561 X (560)	[W]			
	R82	7030009320	S.RES ERJ2GEJ 477 X (4.7)		T	52.6/32
	R83	7030006020	S.RES RR0510P-682-D (6.8K)		T	54.1/32.6
	R84	7030006020	S.RES RR0510P-682-D (6.8K)		T	52.1/28.6
	R85	7030006020	S.RES RR0510P-682-D (6.8K)		T	54.7/39.1
R86	7030005530	S.RES ERJ2GEJ 100 X (10)	B	48.2/28.8		
R87	7030005110	S.RES ERJ2GEJ 224 X (220K)	B	48.1/25.3		
R88	7030008370	S.RES ERJ2GEJ 561 X (560)	[A]	B 54.6/31		
	7030005010	S.RES ERJ2GEJ 681 X (680)	[B]			
R89	7030008370	S.RES ERJ2GEJ 561 X (560)	[C]	B 49.3/41.2		
	7030008370	S.RES ERJ2GEJ 561 X (560)	[D]			
	7030008370	S.RES ERJ2GEJ 561 X (560)	[E]			
	7030005010	S.RES ERJ2GEJ 681 X (680)	[F]			
	7030008370	S.RES ERJ2GEJ 561 X (560)	[G]			
	7030008370	S.RES ERJ2GEJ 561 X (560)	[H]			
	7030008370	S.RES ERJ2GEJ 561 X (560)	[I]			
	7030008370	S.RES ERJ2GEJ 561 X (560)	[K]			
	7030005010	S.RES ERJ2GEJ 681 X (680)	[L]			
	7030008370	S.RES ERJ2GEJ 561 X (560)	[M]			
	7030008370	S.RES ERJ2GEJ 561 X (560)	[N]			
	7030008370	S.RES ERJ2GEJ 561 X (560)	[O]			
	7030005010	S.RES ERJ2GEJ 681 X (680)	[P]			
	7030008370	S.RES ERJ2GEJ 561 X (560)	[Q]			
	7030008370	S.RES ERJ2GEJ 561 X (560)	[R]			
	7030008370	S.RES ERJ2GEJ 561 X (560)	[S]			
	7030005010	S.RES ERJ2GEJ 681 X (680)	[T]			
	7030008370	S.RES ERJ2GEJ 561 X (560)	[U]			
	7030008370	S.RES ERJ2GEJ 561 X (560)	[W]			
	R90	7030005050	S.RES ERJ2GEJ 103 X (10K)		B	49.9/25.1
	R92	7030005310	S.RES ERJ2GEJ 124 X (120K)		B	46.9/26.1
	R93	7030005120	S.RES ERJ2GEJ 102 X (1K)		T	39.8/39.4
	R94	7030005100	S.RES ERJ2GEJ 154 X (150K)		T	41.8/40.8
	R95	7030005120	S.RES ERJ2GEJ 102 X (1K)		B	49.9/36.4

M.=Mounted side (T: Mounted on the Top side, B: Mounted on the Bottom side)  
S.=Surface mount

[MAIN UNIT] (For F24/S F25/S F26/S F4018)

REF NO.	PARTS NO.	DESCRIPTION	M.	H/V LOCATION
R96	7030008410	S.RES ERJ2GEJ 392 X (3.9K)	[A]	B 49.3/40.1
	7030009140	S.RES ERJ2GEJ 272 X (2.7K)	[B]	
	7030008410	S.RES ERJ2GEJ 392 X (3.9K)	[C]	
	7030008410	S.RES ERJ2GEJ 392 X (3.9K)	[D]	
	7030008410	S.RES ERJ2GEJ 392 X (3.9K)	[E]	
	7030009140	S.RES ERJ2GEJ 272 X (2.7K)	[F]	
	7030008410	S.RES ERJ2GEJ 392 X (3.9K)	[G]	
	7030008410	S.RES ERJ2GEJ 392 X (3.9K)	[H]	
	7030008410	S.RES ERJ2GEJ 392 X (3.9K)	[I]	
	7030008410	S.RES ERJ2GEJ 392 X (3.9K)	[J]	
	7030009140	S.RES ERJ2GEJ 272 X (2.7K)	[L]	
	7030008410	S.RES ERJ2GEJ 392 X (3.9K)	[M]	
	7030008410	S.RES ERJ2GEJ 392 X (3.9K)	[N]	
	7030008410	S.RES ERJ2GEJ 392 X (3.9K)	[O]	
	7030009140	S.RES ERJ2GEJ 272 X (2.7K)	[P]	
	7030008410	S.RES ERJ2GEJ 392 X (3.9K)	[Q]	
	7030008410	S.RES ERJ2GEJ 392 X (3.9K)	[R]	
	7030008410	S.RES ERJ2GEJ 392 X (3.9K)	[S]	
	7030009140	S.RES ERJ2GEJ 272 X (2.7K)	[T]	
	7030008410	S.RES ERJ2GEJ 392 X (3.9K)	[U]	
	7030008410	S.RES ERJ2GEJ 392 X (3.9K)	[W]	
R97	7030005120	S.RES ERJ2GEJ 102 X (1K)	B	49.3/38.1
R98	7030007290	S.RES ERJ2GEJ 222 X (2.2K)	T	53.5/44.1
R100	7030005040	S.RES ERJ2GEJ 472 X (4.7K)	B	52.9/38.8
R101	7030005000	S.RES ERJ2GEJ 471 X (4.7K)	B	51.4/43.3
R103	7030005240	S.RES ERJ2GEJ 473 X (4.7K)	T	33.1/27.8
R104	7030005230	S.RES ERJ2GEJ 334 X (3.3K)	T	31.5/26.9
R105	7030005170	S.RES ERJ2GEJ 474 X (4.7K)	T	32.6/29.1
R106	7030005050	S.RES ERJ2GEJ 103 X (10K)	T	37.5/32
R107	7030005580	S.RES ERJ2GEJ 560 X (56)	B	55.9/43.3
R108	7030005600	S.RES ERJ2GEJ 273 X (2.7K)	T	44.9/21
	7030008290	S.RES ERJ2GEJ 183 X (18K)	[A]	
	7030005600	S.RES ERJ2GEJ 273 X (2.7K)	[B]	
	7030005600	S.RES ERJ2GEJ 273 X (2.7K)	[C]	
	7030005600	S.RES ERJ2GEJ 273 X (2.7K)	[D]	
	7030005600	S.RES ERJ2GEJ 273 X (2.7K)	[E]	
	7030008290	S.RES ERJ2GEJ 183 X (18K)	[F]	
	7030005600	S.RES ERJ2GEJ 273 X (2.7K)	[G]	
	7030005600	S.RES ERJ2GEJ 273 X (2.7K)	[H]	
	7030005600	S.RES ERJ2GEJ 273 X (2.7K)	[I]	
	7030005600	S.RES ERJ2GEJ 273 X (2.7K)	[K]	
	7030008290	S.RES ERJ2GEJ 183 X (18K)	[L]	
	7030005600	S.RES ERJ2GEJ 273 X (2.7K)	[M]	
	7030005600	S.RES ERJ2GEJ 273 X (2.7K)	[N]	
	7030008290	S.RES ERJ2GEJ 183 X (18K)	[O]	
	7030005600	S.RES ERJ2GEJ 273 X (2.7K)	[P]	
	7030005600	S.RES ERJ2GEJ 273 X (2.7K)	[Q]	
	7030005600	S.RES ERJ2GEJ 273 X (2.7K)	[R]	
	7030005600	S.RES ERJ2GEJ 273 X (2.7K)	[S]	
	7030008290	S.RES ERJ2GEJ 183 X (18K)	[T]	
	7030005600	S.RES ERJ2GEJ 273 X (2.7K)	[U]	
	7030005600	S.RES ERJ2GEJ 273 X (2.7K)	[W]	
R109	7030005090	S.RES ERJ2GEJ 104 X (100K)	T	43.9/21
R110	7030005240	S.RES ERJ2GEJ 473 X (4.7K)	B	21.8/34.3
R111	7030005090	S.RES ERJ2GEJ 104 X (100K)	T	27.1/28.7
R113	7030006610	S.RES ERJ2GEJ 394 X (3.9K)	B	46.9/31.1
R114	7030005100	S.RES ERJ2GEJ 154 X (150K)	B	46.9/29.1
R115	7030007570	S.RES ERJ2GEJ 122 X (1.2K)	T	40.5/32
R116	7030007060	S.RES ERJ2GEJ 684X (680K)	T	43.4/32.7
R117	7030005040	S.RES ERJ2GEJ 472 X (4.7K)	T	35.3/40.1
R118	7030005040	S.RES ERJ2GEJ 472 X (4.7K)	T	37.2/40.1
R123	7030008400	S.RES ERJ2GEJ 182 X (1.8K)	T	75.2/37.7
R124	7030005170	S.RES ERJ2GEJ 474 X (4.7K)	T	72.7/40.4
R125	7030005110	S.RES ERJ2GEJ 224 X (220K)	T	73.2/38.9
R131	7510001730	S.THE ARTJOPD 473J	T	40.9/28.1
R132	7030010080	S.RES ERJ2RHD 104 X (100K)	T	40.9/27.1
R133	7030005050	S.RES ERJ2GEJ 103 X (10K)	T	84.1/14.2
R134	7030007290	S.RES ERJ2GEJ 222 X (2.2K)	T	74/14.3
R135	7030005050	S.RES ERJ2GEJ 103 X (10K)	T	24.5/24
R136	7030005040	S.RES ERJ2GEJ 472 X (4.7K)	T	22.8/24
R137	7030005050	S.RES ERJ2GEJ 103 X (10K)	T	69.8/14.7
R138	7030005040	S.RES ERJ2GEJ 472 X (4.7K)	T	69.8/16.7
R141	7030005000	S.RES ERJ2GEJ 471 X (4.7K)	T	37/9.9
R142	7030005000	S.RES ERJ2GEJ 471 X (4.7K)	T	43/9.9
R143	7030007340	S.RES ERJ2GEJ 153 X (15K)	T	37.2/24.4
R144	7030005050	S.RES ERJ2GEJ 103 X (10K)	B	46.5/13.7
R145	7030005090	S.RES ERJ2GEJ 104 X (100K)	T	33.4/18.1
R146	7030005090	S.RES ERJ2GEJ 104 X (100K)	T	31.6/18.1
R147	7030007350	S.RES ERJ2GEJ 393 X (3.9K)	T	33.4/16.1
R148	7030005080	S.RES ERJ2GEJ 823 X (82K)	T	31.6/16.1
R149	7030006610	S.RES ERJ2GEJ 394 X (3.9K)	T	33.4/12.9
R150	7030008300	S.RES ERJ2GEJ 184 X (180K)	T	33.4/11.9
R151	7030005030	S.RES ERJ2GEJ 152 X (1.5K)	T	33.4/13.9
R152	7030005220	S.RES ERJ2GEJ 223 X (22K)	T	31.1/29.6
R153	7030005220	S.RES ERJ2GEJ 223 X (22K)	T	29.9/29.1
R154	7030005220	S.RES ERJ2GEJ 223 X (22K)	T	28.2/30.1
R155	7030005090	S.RES ERJ2GEJ 104 X (100K)	T	29.8/41.1
R156	7030005170	S.RES ERJ2GEJ 474 X (4.7K)	T	29.8/40.1
R157	7030007290	S.RES ERJ2GEJ 222 X (2.2K)	T	31.5/39.1
R159	7030008010	S.RES ERJ2GEJ 123 X (12K)	T	15.7/28.8
R160	7030004980	S.RES ERJ2GEJ 101 X (100)	B	5.5/31
R161	7030005040	S.RES ERJ2GEJ 472 X (4.7K)	T	12.9/27.3
R162	7030005050	S.RES ERJ2GEJ 103 X (10K)	T	8.7/29.1
R163	7030005050	S.RES ERJ2GEJ 103 X (10K)	T	14.1/29.8
R164	7030008410	S.RES ERJ2GEJ 392 X (3.9K)	T	15.7/27.8
R165	7030008410	S.RES ERJ2GEJ 392 X (3.9K)	T	12.6/31.9
R166	7030005240	S.RES ERJ2GEJ 473 X (4.7K)	T	12.6/36.1
R167	7030009290	S.RES ERJ2GEJ 562 X (5.6K)	T	15.7/29.8
R168	7030005000	S.RES ERJ2GEJ 471 X (4.7K)	T	16.3/40.1
R169	7030005100	S.RES ERJ2GEJ 154 X (150K)	T	18/41.1
R170	7030008010	S.RES ERJ2GEJ 123 X (12K)	T	12.9/29.3
R171	7030005100	S.RES ERJ2GEJ 154 X (150K)	T	11.6/36.1
R172	7030005700	S.RES ERJ2GEJ 274 X (270K)	T	18/39.1
R173	7030005310	S.RES ERJ2GEJ 124 X (120K)	T	19.4/26.8
R174	7030005090	S.RES ERJ2GEJ 104 X (100K)	T	19.4/28.8

[MAIN UNIT] (For F24/S F25/S F26/S F4018)

REF NO.	PARTS NO.	DESCRIPTION	M.	H/V LOCATION
R175	7030005110	S.RES ERJ2GEJ 224 X (220K)	T	19.4/27.8
R176	7030005100	S.RES ERJ2GEJ 154 X (150K)	T	17.7/27.8
R177	7030005060	S.RES ERJ2GEJ 333 X (33K)	T	17.7/28.8
R178	7030005710	S.RES ERJ2GEJ 121 X (120)	T	19.4/30.7
R179	7030005120	S.RES ERJ2GEJ 102 X (1K)	B	11.5/16.8
R180	7030005160	S.RES ERJ2GEJ 105 X (1M)	T	24.7/40.1
R181	7030005240	S.RES ERJ2GEJ 473 X (4.7K)	T	21.1/40.1
R182	7030005090	S.RES ERJ2GEJ 104 X (100K)	T	24.7/39.1
R183	7030006020	S.RES RR0510P-682-D (6.8K)	B	17.2/39.1
R184	7030008250	S.RES RR0510P-562-D (5.6K)	B	17.7/40.4
R185	7030005310	S.RES ERJ2GEJ 124 X (120K)	B	18.7/40.4
R186	7030005080	S.RES ERJ2GEJ 823 X (82K)	T	19.4/29.8
R187	7030005120	S.RES ERJ2GEJ 102 X (1K)	B	9/18.2
R190	7030007280	S.RES ERJ2GEJ 331 X (330)	T	34.7/18.9
R191	7030008300	S.RES ERJ2GEJ 184 X (180K)	T	18/4.1
R192	7030005720	S.RES ERJ2GEJ 563 X (56K)	T	18/5.1
R193	7030005220	S.RES ERJ2GEJ 223 X (22K)	T	18/6.1
R194	7030005220	S.RES ERJ2GEJ 223 X (22K)	T	23.9/10.9
R195	7030005050	S.RES ERJ2GEJ 103 X (10K)	T	19.7/4.1
R196	7030005240	S.RES ERJ2GEJ 473 X (4.7K)	T	23.9/11.9
R197	7030005240	S.RES ERJ2GEJ 473 X (4.7K)	T	23.9/12.9
R198	7030005240	S.RES ERJ2GEJ 473 X (4.7K)	T	25.7/19.9
R200	7030005040	S.RES ERJ2GEJ 472 X (4.7K)	T	25.7/14.9
R201	7030005240	S.RES ERJ2GEJ 473 X (4.7K)	T	23.9/14.9
R206	7030005110	S.RES ERJ2GEJ 224 X (220K)	T	13.4/4.1
R207	7030005090	S.RES ERJ2GEJ 104 X (100K)	T	13.4/5.1
R208	7030005240	S.RES ERJ2GEJ 473 X (4.7K)	T	15.6/5.1
R209	7030005220	S.RES ERJ2GEJ 223 X (22K)	T	15.6/6.1
R210	7030008010	S.RES ERJ2GEJ 123 X (12K)	T	15.6/4.1
R211	7030005070	S.RES ERJ2GEJ 683 X (68K)	T	27.1/4.1
R212	7030005070	S.RES ERJ2GEJ 683 X (68K)	T	27.1/5.1
R213	7030005070	S.RES ERJ2GEJ 683 X (68K)	T	27.1/6.1
R214	7030005070	S.RES ERJ2GEJ 683 X (68K)	T	29.1/7.1
R215	7030005070	S.RES ERJ2GEJ 683 X (68K)	T	31/6.1
R220	7030004980	S.RES ERJ2GEJ 101 X (100)	B	15.9/23.3
R221	7030005000	S.RES ERJ2GEJ 471 X (4.7K)	B	66.5/13.7
R222	7030005080	S.RES ERJ2GEJ 823 X (82K)	B	63.9/8.5
R223	7030005060	S.RES ERJ2GEJ 333 X (33K)	B	61/11.3
R224	7030005000	S.RES ERJ2GEJ 471 X (4.7K)	B	75.5/10.3
R225	7030004980	S.RES ERJ2GEJ 101 X (100)	B	33.9/7.1
R226	7210003061	VAR TP76N00N-15F-A103-2251A		
R227	7030005050	S.RES ERJ2GEJ 103 X (10K)	T	94.9/13.9
R228	7030005120	S.RES ERJ2GEJ 102 X (1K)	T	94.2/15.2
R229	7030005530	S.RES ERJ2GEJ 100 X (10)	T	86/9.7
R230	7030005530	S.RES ERJ2GEJ 100 X (10)	T	87.2/17.2
R231	7030005120	S.RES ERJ2GEJ 102 X (1K)	T	90.6/28.8
R232	7030007300	S.RES ERJ2GEJ 332 X (3.3K)	T	93.2/4.4
R233	7030007300	S.RES ERJ2GEJ 332 X (3.3K)	T	92.7/2.8
R234	7030005100	S.RES ERJ2GEJ 154 X (150K)	B	23.3/6.2
R235	7030005090	S.RES ERJ2GEJ 104 X (100K)	B	20.3/4.2
R236	7030005230	S.RES ERJ2GEJ 334 X (330K)	B	23.3/5.2
R237	7030005050	S.RES ERJ2GEJ 103 X (10K)	T	21.1/39.1
R238	7410001140	S.ARR EXB28V104JX	B	40.9/9.5
R240	7030005590	S.RES ERJ2GEJ 680 X (68)	T	99.7/12.9
R241	7030010040	S.RES ERJ2GEJ-JPW	[K]	39.4/6.4
	7030010040	S.RES ERJ2GEJ-JPW	[L]	
	7030010040	S.RES ERJ2GEJ-JPW	[M]	
	7030010040	S.RES ERJ2GEJ-JPW	[N]	
	7030010040	S.RES ERJ2GEJ-JPW	[O]	
	7030010040	S.RES ERJ2GEJ-JPW	[P]	
	7030010040	S.RES ERJ2GEJ-JPW	[Q]	
	7030010040	S.RES ERJ2GEJ-JPW	[R]	
	7030010040	S.RES ERJ2GEJ-JPW	[S]	
R242	7030010040	S.RES ERJ2GEJ-JPW	[K]	T 41.4/6.4
	7030010040	S.RES ERJ2GEJ-JPW	[L]	
	7030010040	S.RES ERJ2GEJ-JPW	[M]	
	7030010040	S.RES ERJ2GEJ-JPW	[N]	
	7030010040	S.RES ERJ2GEJ-JPW	[O]	

[MAIN UNIT] (For F24/S F25/S F26/S F4018)

REF NO.	PARTS NO.	DESCRIPTION	M.	H/V LOCATION
R296	7030003490	S.RES ERJ3GEYJ 272 V (2.7K)	B	91.8/35.3
R297	7030005120	S.RES ERJ2GEJ 102 X (1K)	T	91.3/36.2
R301	7030010040	S.RES ERJ2GEJ-JPW	B	93.1/22.4
R302	7030004990	S.RES ERJ2GEJ 221 X (220)	T	93.3/34.9
R303	7030005040	S.RES ERJ2GEJ 472 X (4.7K)	T	32.8/20.3
R304	7030005090	S.RES ERJ2GEJ 104 X (100K)	T	33.6/21.8
C1	4030017600	S.CER ECJ0EC1H080C	[A]	94.2/41.5
	4030017590	S.CER ECJ0EC1H070C	[B]	
	4030017600	S.CER ECJ0EC1H080C	[C]	
	4030017600	S.CER ECJ0EC1H080C	[D]	
	4030017600	S.CER ECJ0EC1H080C	[E]	
	4030017590	S.CER ECJ0EC1H070C	[F]	
	4030017600	S.CER ECJ0EC1H080C	[G]	
	4030017600	S.CER ECJ0EC1H080C	[H]	
	4030017600	S.CER ECJ0EC1H080C	[I]	
	4030017600	S.CER ECJ0EC1H080C	[J]	
	4030017590	S.CER ECJ0EC1H070C	[L]	
	4030017600	S.CER ECJ0EC1H080C	[M]	
	4030017600	S.CER ECJ0EC1H080C	[N]	
	4030017600	S.CER ECJ0EC1H080C	[O]	
	C2	4030017350	S.CER ECJ0EC1H020B	
4030017550		S.CER ECJ0EC1H1R5B	[B]	
4030017350		S.CER ECJ0EC1H020B	[C]	
4030017350		S.CER ECJ0EC1H020B	[D]	
4030017350		S.CER ECJ0EC1H020B	[E]	
4030017550		S.CER ECJ0EC1H1R5B	[F]	
4030017350		S.CER ECJ0EC1H020B	[G]	
4030017350		S.CER ECJ0EC1H020B	[H]	
4030017350		S.CER ECJ0EC1H020B	[I]	
4030017350		S.CER ECJ0EC1H020B	[K]	
4030017550		S.CER ECJ0EC1H1R5B	[L]	
4030017350		S.CER ECJ0EC1H020B	[M]	
4030017350		S.CER ECJ0EC1H020B	[N]	
4030017350		S.CER ECJ0EC1H020B	[O]	
C3		4030017600	S.CER ECJ0EC1H080C	[A]
	4030017590	S.CER ECJ0EC1H070C	[B]	
	4030017600	S.CER ECJ0EC1H080C	[C]	
	4030017600	S.CER ECJ0EC1H080C	[D]	
	4030017590	S.CER ECJ0EC1H070C	[F]	
	4030017600	S.CER ECJ0EC1H080C	[E]	
	4030017590	S.CER ECJ0EC1H070C	[F]	
	4030017600	S.CER ECJ0EC1H080C	[G]	
	4030017600	S.CER ECJ0EC1H080C	[H]	
	4030017600	S.CER ECJ0EC1H080C	[I]	
	4030017600	S.CER ECJ0EC1H080C	[K]	
	4030017590	S.CER ECJ0EC1H070C	[L]	
	4030017600	S.CER ECJ0EC1H080C	[M]	
	4030017600	S.CER ECJ0EC1H080C	[N]	
	C4	4030017560	S.CER ECJ0EC1H2R5B	[A]
4030017570		S.CER ECJ0EC1H040B	[B]	
4030017360		S.CER ECJ0EC1H030B	[C]	
4030017570		S.CER ECJ0EC1H040B	[D]	
4030017570		S.CER ECJ0EC1H040B	[E]	
4030017360		S.CER ECJ0EC1H030B	[F]	
4030017570		S.CER ECJ0EC1H040B	[G]	
4030017570		S.CER ECJ0EC1H040B	[H]	
4030017570		S.CER ECJ0EC1H040B	[I]	
4030017570		S.CER ECJ0EC1H040B	[K]	
4030017360		S.CER ECJ0EC1H030B	[L]	
4030017570		S.CER ECJ0EC1H040B	[M]	
4030017570		S.CER ECJ0EC1H040B	[N]	
4030017570		S.CER ECJ0EC1H040B	[O]	
C5		4030017460	S.CER ECJ0EB1E102K	[A]
	4030017460	S.CER ECJ0EB1E102K	[B]	
C6	4030017460	S.CER ECJ0EB1E102K	[A]	92.8/33.4
	4030017460	S.CER ECJ0EB1E102K	[B]	
	4030017460	S.CER ECJ0EB1E102K	[C]	
	4030017460	S.CER ECJ0EB1E102K	[D]	
	4030017460	S.CER ECJ0EB1E102K	[E]	
	4030017460	S.CER ECJ0EB1E102K	[F]	
	4030017460	S.CER ECJ0EB1E102K	[G]	
	4030017460	S.CER ECJ0EB1E102K	[H]	
	4030017460	S.CER ECJ0EB1E102K	[I]	
	4030017460	S.CER ECJ0EB1E102K	[K]	
	4030017460	S.CER ECJ0EB1E102K	[L]	
	4030017460	S.CER ECJ0EB1E102K	[M]	
	4030017460	S.CER ECJ0EB1E102K	[N]	
	4030017460	S.CER ECJ0EB1E102K	[O]	
	C7	4030017460	S.CER ECJ0EB1E102K	
4030017460		S.CER ECJ0EB1E102K	[B]	
4030017460		S.CER ECJ0EB1E102K	[C]	
4030017460		S.CER ECJ0EB1E102K	[D]	
4030017460		S.CER ECJ0EB1E102K	[E]	
4030017460		S.CER ECJ0EB1E102K	[F]	
4030017460		S.CER ECJ0EB1E102K	[G]	
4030017460		S.CER ECJ0EB1E102K	[H]	
4030017460		S.CER ECJ0EB1E102K	[I]	
4030017460		S.CER ECJ0EB1E102K	[K]	
4030017460		S.CER ECJ0EB1E102K	[L]	
4030017460		S.CER ECJ0EB1E102K	[M]	
4030017460		S.CER ECJ0EB1E102K	[N]	
4030017460		S.CER ECJ0EB1E102K	[O]	

[MAIN UNIT] (For F24/S F25/S F26/S F4018)

REF NO.	PARTS NO.	DESCRIPTION	M.	H/V LOCATION
C8	4030017370	S.CER ECJ0EC1H3R5B	[A]	93.2/28.1
	4030017580	S.CER ECJ0EC1H060C	[B]	
	4030017370	S.CER ECJ0EC1H3R5B	[C]	
	4030017370	S.CER ECJ0EC1H3R5B	[D]	
	4030017370	S.CER ECJ0EC1H3R5B	[E]	
	4030017580	S.CER ECJ0EC1H060C	[F]	
	4030017370	S.CER ECJ0EC1H3R5B	[G]	
	4030017370	S.CER ECJ0EC1H3R5B	[H]	
	4030017370	S.CER ECJ0EC1H3R5B	[I]	
	4030017370	S.CER ECJ0EC1H3R5B	[J]	
	4030017580	S.CER ECJ0EC1H060C	[L]	
	4030017370	S.CER ECJ0EC1H3R5B	[M]	
	4030017370	S.CER ECJ0EC1H3R5B	[N]	
	4030017370	S.CER ECJ0EC1H3R5B	[O]	
	C11	4030006980	S.CER C1608 CH 1H 070D-T	
4030009530		S.CER C1608 CH 1H 030B-T	[B]	
4030006980		S.CER C1608 CH 1H 070D-T	[C]	
4030006980		S.CER C1608 CH 1H 070D-T	[D]	
4030006980		S.CER C1608 CH 1H 070D-T	[E]	
4030009530		S.CER C1608 CH 1H 030B-T	[F]	
4030006980		S.CER C1608 CH 1H 070D-T	[G]	
4030006980		S.CER C1608 CH 1H 070D-T	[H]	
4030006980		S.CER C1608 CH 1H 070D-T	[I]	
4030006980		S.CER C1608 CH 1H 070D-T	[K]	
4030009530		S.CER C1608 CH 1H 030B-T	[L]	
4030006980		S.CER C1608 CH 1H 070D-T	[M]	
4030006980		S.CER C1608 CH 1H 070D-T	[N]	
4030006980		S.CER C1608 CH 1H 070D-T	[O]	
C13		4030007020	S.CER C1608 CH 1H 120J-T	[A]
	4030007020	S.CER C1608 CH 1H 090D-T	[B]	
	4030007020	S.CER C1608 CH 1H 120J-T	[C]	
	4030007020	S.CER C1608 CH 1H 120J-T	[D]	
	4030007020	S.CER C1608 CH 1H 120J-T	[E]	
	4030007000	S.CER C1608 CH 1H 090D-T	[F]	
	4030007020	S.CER C1608 CH 1H 120J-T	[G]	
	4030007020	S.CER C1608 CH 1H 120J-T	[H]	
	4030007020	S.CER C1608 CH 1H 120J-T	[I]	
	4030007020	S.CER C1608 CH 1H 120J-T	[K]	
	4030007000	S.CER C1608 CH 1H 090D-T	[L]	
	4030007020	S.CER C1608 CH 1H 120J-T	[M]	
	4030007020	S.CER C1608 CH 1H 120J-T	[N]	
	4030007020	S.CER C1608 CH 1H 120J-T	[O]	
	C14	4030017570	S.CER ECJ0EC1H040B	[A]
4030008560		S.CER C1608 CH 1H 300J-T	[B]	
4030017510		S.CER ECJ0EC1H680J	[C]	
4030006860		S.CER C1608 JB 1H 102K-T	[D]	
4030017460		S.CER ECJ0EB1E102K	[E]	
4030017590		S.CER ECJ0EC1H070C	[F]	
4030017410		S.CER ECJ0EC1H240J	[G]	
4030017400		S.CER ECJ0EC1H220J	[H]	
4030017410		S.CER ECJ0EC1H240J	[I]	
4030017410		S.CER ECJ0EC1H240J	[J]	
4030017410		S.CER ECJ0EC1H240J	[K]	
4030017400		S.CER ECJ0EC1H220J	[L]	
4030017410		S.CER ECJ0EC1H240J	[M]	
4030017410		S.CER ECJ0EC1H240J	[N]	
C16		4030017410	S.CER ECJ0EC1H240J	[A]
	4030017410	S.CER ECJ0EC1H240J	[B]	
	4030017410	S.CER ECJ0EC1H240J	[C]	
	4030017400	S.CER ECJ0EC1H220J	[D]	
	4030017410	S.CER ECJ0EC1H240J	[E]	
	4030017410	S.CER ECJ0EC1H240J	[F]	
	4030017410	S.CER ECJ0EC1H240J	[G]	
	4030017410	S.CER ECJ0EC1H240J	[H]	
	4030017410	S.CER ECJ0EC1H240J	[I]	
	4030017410	S.CER ECJ0EC1H240J	[K]	
	4030017400	S.CER ECJ0EC1H220J	[L]	
	4030017410	S.CER ECJ0EC1H240J	[M]	
	4030017410	S.CER ECJ0EC1H240J	[N]	
	4030017410	S.CER ECJ0EC1H240J	[O]	
	C17	4030017410	S.CER ECJ0EC1H240J	[A]
4030017410		S.CER ECJ0EC1H240J	[B]	
4030017410		S.CER ECJ0EC1H240J	[C]	
4030017410		S.CER ECJ0EC1H240J	[D]	
4030017410		S.CER ECJ0EC1H240J	[E]	
4030017410		S.CER ECJ0EC1H240J	[F]	
4030017410		S.CER ECJ0EC1H240J	[G]	
4030017410		S.CER ECJ0EC1H240J	[H]	
4030017410		S.CER ECJ0EC1H240J	[I]	
4030017410		S.CER ECJ0EC1H240J	[K]	
4030017400		S.CER ECJ0EC1H220J	[L]	
4030017410		S.CER ECJ0EC1H240J	[M]	
4030017410		S.CER ECJ0EC1H240J	[N]	
4030017410		S.CER ECJ0EC1H240J	[O]	
C18		4030017410	S.CER ECJ0EC1H240J	[A]
	4030017410	S.CER ECJ0EC1H240J	[B]	
	4030017410	S.CER ECJ0EC1H240J	[C]	
	4030017410	S.CER ECJ0EC1H240J	[D]	
	4030017410	S.CER ECJ0EC1H240J	[E]	
	4030017410	S.CER ECJ0EC1H240J	[F]	
	4030017410	S.CER ECJ0EC1H240J	[G]	
	4030017410	S.CER ECJ0EC1H240J	[H]	
	4030017410	S.CER ECJ0EC1H240J	[I]	
	4030017410	S.CER ECJ0EC1H240J	[K]	
	4030017400	S.CER ECJ0EC1H220J	[L]	
	4030017410	S.CER ECJ0EC1H240J	[M]	
	4030017410	S.CER ECJ0EC1H240J	[N]	
	4030017410	S.CER ECJ0EC1H240J	[O]	
	C19	4030017410	S.CER ECJ0EC1H240J	[A]
4030017410		S.CER ECJ0EC1H240J	[B]	
4030017410		S.CER ECJ0EC1H240J	[C]	
4030017410		S.CER ECJ0EC1H240J	[D]	
4030017410		S.CER ECJ0EC1H240J	[E]	
4030017410		S.CER ECJ0EC1H240J	[F]	
4030017410		S.CER ECJ0EC1H240J	[G]	
4030017410		S.CER ECJ0EC1H240J	[H]	
4030017410		S.CER ECJ0EC1H240J	[I]	
4030017410		S.CER ECJ0EC1H240J	[K]	
4030017400		S.CER ECJ0EC1H220J	[L]	
4030017410		S.CER ECJ0EC1H240J	[M]	
4030017410		S.CER ECJ0EC1H240J	[N]	
4030017410		S.CER ECJ0EC1H240J	[O]	
C20		4030017410	S.CER ECJ0EC1H240J	[A]
	4030017410	S.CER ECJ0EC1H240J	[B]	
	4030017410	S.CER ECJ0EC1H240J	[C]	
	4030017410	S.CER ECJ0EC1H240J	[D]	
	4030017410	S.CER ECJ0EC1H240J	[E]	
	4030017410	S.CER ECJ0EC1H240J	[F]	
	4030017410	S.CER ECJ0EC1H240J	[G]	
	4030017410	S.CER ECJ0EC1H240J	[H]	
	4030017410	S.CER ECJ0EC1H240J	[I]	
	4030017410	S.CER ECJ0EC1H240J	[K]	
	4030017400	S.CER ECJ0EC1H220J	[L]	
	4030017410	S.CER ECJ0EC1H240J	[M]	
	4030017410	S.CER ECJ0EC1H240J	[N]	
	4030017410	S.CER ECJ0EC1H240J	[O]	
	C21	4030017410	S.CER ECJ0EC1H240J	[A]
4030017410		S.CER ECJ0EC1H240J	[B]	
4030017410		S.CER ECJ0EC1H240J	[C]	
4030017410		S.CER ECJ0EC1H240J	[D]	
4030017410		S.CER ECJ0EC1H240J	[E]	
4030017410		S.CER ECJ0EC1H240J	[F]	
4030017410		S.CER ECJ0EC1H240J	[G]	
4030017410		S.CER ECJ0EC1H240J	[H]	
4030017410		S.CER ECJ0EC1H240J	[I]	
4030017410		S.CER ECJ0EC1H240J	[K]	
4030017400		S.CER ECJ0EC1H220J	[L]	
4030017410		S.CER ECJ0EC1H240J	[M]	
4030017410		S.CER ECJ0EC1H240J	[N]	
4030017410		S.CER ECJ0EC1H240J	[O]	

M.=Mounted side (T: Mounted on the Top side, B: Mounted on the Bottom side)  
S.=Surface



[MAIN UNIT] (For F24/S F25/S F26/S F4018)

REF NO.	PARTS NO.	DESCRIPTION	M.	H/V LOCATION
C22	4030017600	S.CER ECJ0EC1H080C	[A]	B 84.1/36.7
	4030017610	S.CER ECJ0EC1H090C	[B]	
	4030017600	S.CER ECJ0EC1H080C	[C]	
	4030017600	S.CER ECJ0EC1H080C	[D]	
	4030017600	S.CER ECJ0EC1H080C	[E]	
	4030017610	S.CER ECJ0EC1H090C	[F]	
	4030017600	S.CER ECJ0EC1H080C	[G]	
	4030017600	S.CER ECJ0EC1H080C	[H]	
	4030017600	S.CER ECJ0EC1H080C	[I]	
	4030017600	S.CER ECJ0EC1H080C	[J]	
	4030017610	S.CER ECJ0EC1H090C	[L]	
	4030017600	S.CER ECJ0EC1H080C	[M]	
	4030017600	S.CER ECJ0EC1H080C	[N]	
	4030017600	S.CER ECJ0EC1H080C	[O]	
	4030017610	S.CER ECJ0EC1H090C	[P]	
	4030017600	S.CER ECJ0EC1H080C	[Q]	
	4030017600	S.CER ECJ0EC1H080C	[R]	
	4030017600	S.CER ECJ0EC1H080C	[S]	
	4030017610	S.CER ECJ0EC1H090C	[T]	
	4030017600	S.CER ECJ0EC1H080C	[U]	
	4030017600	S.CER ECJ0EC1H080C	[W]	
C23	4030017560	S.CER ECJ0EC1H2R5B	[A]	B 82/37.7
	4030017350	S.CER ECJ0EC1H020B	[B]	
	4030017560	S.CER ECJ0EC1H2R5B	[C]	
	4030017560	S.CER ECJ0EC1H2R5B	[D]	
	4030017560	S.CER ECJ0EC1H2R5B	[E]	
	4030017350	S.CER ECJ0EC1H020B	[F]	
	4030017560	S.CER ECJ0EC1H2R5B	[G]	
	4030017560	S.CER ECJ0EC1H2R5B	[H]	
	4030017560	S.CER ECJ0EC1H2R5B	[I]	
	4030017560	S.CER ECJ0EC1H2R5B	[J]	
	4030017350	S.CER ECJ0EC1H020B	[L]	
	4030017560	S.CER ECJ0EC1H2R5B	[M]	
	4030017560	S.CER ECJ0EC1H2R5B	[N]	
	4030017560	S.CER ECJ0EC1H2R5B	[O]	
	4030017350	S.CER ECJ0EC1H020B	[P]	
	4030017560	S.CER ECJ0EC1H2R5B	[Q]	
	4030017560	S.CER ECJ0EC1H2R5B	[R]	
	4030017560	S.CER ECJ0EC1H2R5B	[S]	
	4030017350	S.CER ECJ0EC1H020B	[T]	
	4030017560	S.CER ECJ0EC1H2R5B	[U]	
	4030017560	S.CER ECJ0EC1H2R5B	[W]	
C24	4030017410	S.CER ECJ0EC1H240J	B	79.7/33.2
C25	4030017600	S.CER ECJ0EC1H080C	B	80.4/36.1
C27	4030017460	S.CER ECJ0EB1E102K	T	83.9/35.7
C28	4030017460	S.CER ECJ0EB1E102K	T	83.9/37.7
C30	4030017590	S.CER ECJ0EC1H070C	B	79.6/37.8
C31	4030017460	S.CER ECJ0EB1E102K	T	80.4/37.2
C32	4030017460	S.CER ECJ0EB1E102K	B	75.8/39.9
C33	4030017460	S.CER ECJ0EB1E102K	T	77.1/38.7
C34	4030017420	S.CER ECJ0EC1H470J	T	77.1/39.7
C35	4030016930	S.CER ECJ0EB1A104K	T	78.8/37.7
C36	4030017460	S.CER ECJ0EB1E102K	B	71.8/33.3
C37	4030017460	S.CER ECJ0EB1E102K	B	73.4/34.2
C38	4030017350	S.CER ECJ0EC1H020B	B	74.8/37.7
C39	4030017620	S.CER ECJ0EC1H100C	B	73.5/38.8
C40	4030017520	S.CER ECJ0EC1H0R3B	B	73.5/39.8
C41	4030017380	S.CER ECJ0EC1H050B	[A]	B 68.5/39.2
	4030017570	S.CER ECJ0EC1H040B	[B]	
	4030017380	S.CER ECJ0EC1H050B	[C]	
	4030017380	S.CER ECJ0EC1H050B	[D]	
	4030017380	S.CER ECJ0EC1H050B	[E]	
	4030017570	S.CER ECJ0EC1H040B	[F]	
	4030017380	S.CER ECJ0EC1H050B	[G]	
	4030017380	S.CER ECJ0EC1H050B	[H]	
	4030017380	S.CER ECJ0EC1H050B	[I]	
	4030017380	S.CER ECJ0EC1H050B	[J]	
	4030017380	S.CER ECJ0EC1H050B	[K]	
	4030017570	S.CER ECJ0EC1H040B	[L]	
	4030017380	S.CER ECJ0EC1H050B	[M]	
	4030017380	S.CER ECJ0EC1H050B	[N]	
	4030017380	S.CER ECJ0EC1H050B	[O]	
	4030017570	S.CER ECJ0EC1H040B	[P]	
	4030017380	S.CER ECJ0EC1H050B	[Q]	
	4030017380	S.CER ECJ0EC1H050B	[R]	
	4030017380	S.CER ECJ0EC1H050B	[S]	
	4030017570	S.CER ECJ0EC1H040B	[T]	
	4030017380	S.CER ECJ0EC1H050B	[U]	
4030017380	S.CER ECJ0EC1H050B	[W]		
C42	4030017460	S.CER ECJ0EB1E102K	T	68.5/37.7
C43	4030017460	S.CER ECJ0EB1E102K	T	70.2/38.9
C44	4030017340	S.CER ECJ0EC1H010B	B	69/37.8
	4030017550	S.CER ECJ0EC1H1R5B	[A]	
	4030017340	S.CER ECJ0EC1H010B	[B]	
	4030017340	S.CER ECJ0EC1H010B	[C]	
	4030017340	S.CER ECJ0EC1H010B	[D]	
	4030017340	S.CER ECJ0EC1H010B	[E]	
	4030017550	S.CER ECJ0EC1H1R5B	[F]	
	4030017340	S.CER ECJ0EC1H010B	[G]	
	4030017340	S.CER ECJ0EC1H010B	[H]	
	4030017340	S.CER ECJ0EC1H010B	[I]	
	4030017340	S.CER ECJ0EC1H010B	[J]	
	4030017340	S.CER ECJ0EC1H010B	[K]	
	4030017550	S.CER ECJ0EC1H1R5B	[L]	
	4030017340	S.CER ECJ0EC1H010B	[M]	
	4030017340	S.CER ECJ0EC1H010B	[N]	
	4030017340	S.CER ECJ0EC1H010B	[O]	
	4030017340	S.CER ECJ0EC1H010B	[P]	
	4030017340	S.CER ECJ0EC1H010B	[Q]	
	4030017340	S.CER ECJ0EC1H010B	[R]	
	4030017340	S.CER ECJ0EC1H010B	[S]	
	4030017550	S.CER ECJ0EC1H1R5B	[T]	
4030017340	S.CER ECJ0EC1H010B	[U]		
4030017340	S.CER ECJ0EC1H010B	[W]		

[MAIN UNIT] (For F24/S F25/S F26/S F4018)

REF NO.	PARTS NO.	DESCRIPTION	M.	H/V LOCATION
C45	4030017630	S.CER ECJ0EC1H120J	[A]	B 72.2/38.8
	4030017620	S.CER ECJ0EC1H100C	[B]	
	4030017630	S.CER ECJ0EC1H120J	[C]	
	4030017630	S.CER ECJ0EC1H120J	[D]	
	4030017630	S.CER ECJ0EC1H120J	[E]	
	4030017620	S.CER ECJ0EC1H100C	[F]	
	4030017630	S.CER ECJ0EC1H120J	[G]	
	4030017630	S.CER ECJ0EC1H120J	[H]	
	4030017630	S.CER ECJ0EC1H120J	[I]	
	4030017630	S.CER ECJ0EC1H120J	[J]	
	4030017620	S.CER ECJ0EC1H100C	[L]	
	4030017630	S.CER ECJ0EC1H120J	[M]	
	4030017630	S.CER ECJ0EC1H120J	[N]	
	4030017630	S.CER ECJ0EC1H120J	[O]	
	4030017620	S.CER ECJ0EC1H100C	[P]	
	4030017630	S.CER ECJ0EC1H120J	[Q]	
	4030017630	S.CER ECJ0EC1H120J	[R]	
	4030017630	S.CER ECJ0EC1H120J	[S]	
	4030017620	S.CER ECJ0EC1H100C	[T]	
	4030017630	S.CER ECJ0EC1H120J	[U]	
	4030017630	S.CER ECJ0EC1H120J	[W]	
C46	4030017460	S.CER ECJ0EB1E102K	T	68.2/38.9
C48	4030017400	S.CER ECJ0EC1H220J	B	64.2/37.2
C49	4030017350	S.CER ECJ0EC1H020B	[A]	B 64.2/39.9
	4030017360	S.CER ECJ0EC1H030B	[B]	
	4030017350	S.CER ECJ0EC1H020B	[C]	
	4030017350	S.CER ECJ0EC1H020B	[D]	
	4030017350	S.CER ECJ0EC1H020B	[E]	
	4030017360	S.CER ECJ0EC1H030B	[F]	
	4030017350	S.CER ECJ0EC1H020B	[G]	
	4030017350	S.CER ECJ0EC1H020B	[H]	
	4030017350	S.CER ECJ0EC1H020B	[I]	
	4030017350	S.CER ECJ0EC1H020B	[J]	
	4030017360	S.CER ECJ0EC1H030B	[L]	
	4030017350	S.CER ECJ0EC1H020B	[M]	
	4030017350	S.CER ECJ0EC1H020B	[N]	
	4030017350	S.CER ECJ0EC1H020B	[O]	
	4030017360	S.CER ECJ0EC1H030B	[P]	
	4030017350	S.CER ECJ0EC1H020B	[Q]	
	4030017350	S.CER ECJ0EC1H020B	[R]	
	4030017350	S.CER ECJ0EC1H020B	[S]	
	4030017360	S.CER ECJ0EC1H030B	[T]	
	4030017350	S.CER ECJ0EC1H020B	[U]	
	4030017350	S.CER ECJ0EC1H020B	[W]	
C50	4030017460	S.CER ECJ0EB1E102K	B	64.2/36.1
C51	4030017460	S.CER ECJ0EB1E102K	B	66.1/32.1
C52	4030017390	S.CER ECJ0EC1H180J	[A]	B 66.1/35.7
	4030017620	S.CER ECJ0EC1H100C	[B]	
	4030017390	S.CER ECJ0EC1H180J	[C]	
	4030017390	S.CER ECJ0EC1H180J	[D]	
	4030017390	S.CER ECJ0EC1H180J	[E]	
	4030017620	S.CER ECJ0EC1H100C	[F]	
	4030017390	S.CER ECJ0EC1H180J	[G]	
	4030017390	S.CER ECJ0EC1H180J	[H]	
	4030017390	S.CER ECJ0EC1H180J	[I]	
	4030017390	S.CER ECJ0EC1H180J	[J]	
	4030017390	S.CER ECJ0EC1H180J	[K]	
	4030017620	S.CER ECJ0EC1H100C	[L]	
	4030017390	S.CER ECJ0EC1H180J	[M]	
	4030017390	S.CER ECJ0EC1H180J	[N]	
	4030017390	S.CER ECJ0EC1H180J	[O]	
	4030017620	S.CER ECJ0EC1H100C	[P]	
	4030017390	S.CER ECJ0EC1H180J	[Q]	
	4030017390	S.CER ECJ0EC1H180J	[R]	
	4030017390	S.CER ECJ0EC1H180J	[S]	
	4030017620	S.CER ECJ0EC1H100C	[T]	
	4030017390	S.CER ECJ0EC1H180J	[U]	
4030017390	S.CER ECJ0EC1H180J	[W]		
C53	4030016790	S.CER ECJ0EB1C103K	B	64.2/33.1
C54	4030017460	S.CER ECJ0EB1E102K	B	64.2/34.1
C55	4030017340	S.CER ECJ0EC1H010B	[A]	B 64.2/31.1
	4030017570	S.CER ECJ0EC1H040B	[B]	
	4030017340	S.CER ECJ0EC1H010B	[C]	
	4030017340	S.CER ECJ0EC1H010B	[D]	
	4030017570	S.CER ECJ0EC1H040B	[E]	
	4030017340	S.CER ECJ0EC1H010B	[F]	
	4030017340	S.CER ECJ0EC1H010B	[G]	
	4030017340	S.CER ECJ0EC1H010B	[H]	
	4030017340	S.CER ECJ0EC1H010B	[I]	
	4030017340	S.CER ECJ0EC1H010B	[J]	
	4030017340	S.CER ECJ0EC1H010B	[K]	
	4030017570	S.CER ECJ0EC1H040B	[L]	
	4030017340	S.CER ECJ0EC1H010B	[M]	
	4030017340	S.CER ECJ0EC1H010B	[N]	
	4030017340	S.CER ECJ0EC1H010B	[O]	
	4030017570	S.CER ECJ0EC1H040B	[P]	
	4030017340	S.CER ECJ0EC1H010B	[Q]	
	4030017340	S.CER ECJ0EC1H010B	[R]	
	4030017340	S.CER ECJ0EC1H010B	[S]	
	4030017570	S.CER ECJ0EC1H040B	[T]	
	4030017340	S.CER ECJ0EC1H010B	[U]	
4030017340	S.CER ECJ0EC1H010B	[W]		
C56	4030017400	S.CER ECJ0EC1H220J	B	64.3/23.8
C57	4030017460	S.CER ECJ0EB1E102K	T	64.1/36.8
C58	4030017460	S.CER ECJ0EB1E102K	B	53.9/24.3
C59	4030017460	S.CER ECJ0EB1E102K	B	49.5/25.2
C60	4030017460	S.CER ECJ0EB1E102K	B	52.5/26.9
C61	4030017430	S.CER ECJ0EC1H101J	B	49.5/22.7
C62	4030017510	S.CER ECJ0EC1H680J	B	47.5/17.6
C63	4030017420	S.CER ECJ0EC1H470J	B	46.5/20.7
C64	4030016790	S.CER ECJ0EB1C103K	T	49.7/16.3
C65	4030017460	S.CER ECJ0EB1E102K	B	46.5/18.9
C66	4030017460	S.CER ECJ0EB1E102K	B	47.5/13.7
C67	4030017460	S.CER ECJ0EB1E102K	B	53.4/22.6
C68	4030017440	S.CER ECJ0EC1H221J	B	51.8/13.7
C69	4030017730	S.CER ECJ0EB1E471K	B	53.8/15.4

M.=Mounted side (T: Mounted on the Top side, B: Mounted on the Bottom side)  
S.=Surface mount



[MAIN UNIT] (For F24/S F25/S F26/S F4018)

REF NO.	PARTS NO.	DESCRIPTION	M.	H/V LOCATION
C70	4030017730	S.CER ECJ0EB1E471K	B	54.8/13.7
C71	4030016930	S.CER ECJ0EB1A104K	T	56.2/17.5
C72	4030017420	S.CER ECJ0EC1H470J	B	69.8/18.7
C73	4030017460	S.CER ECJ0EB1E102K	T	69.3/24
C74	4030017460	S.CER ECJ0EB1E102K	T	93.3/37
C75	4550005980	S.TAN TEESVA 1A 475M8R	B	53.8/11.4
C76	4030016790	S.CER ECJ0EB1C103K	T	66.7/21.1
C77	4030017460	S.CER ECJ0EB1E102K	T	65.7/22.7
C78	4030017460	S.CER ECJ0EB1E102K	T	74.8/20.8
C79	4030018890	S.CER ECJ0EB0J224K	T	72.3/21.1
C80	4030017780	S.CER ECJ0EB1E472K	T	68/18.7
C81	4030016790	S.CER ECJ0EB1C103K	B	77.2/21.5
C82	4030017460	S.CER ECJ0EB1E102K	B	78.2/21.5
C83	4030017620	S.CER ECJ0EC1H100C	T	81.3/22.3
	4030017620	S.CER ECJ0EC1H100C	[B]	
	4030017620	S.CER ECJ0EC1H100C	[F]	
	4030017620	S.CER ECJ0EC1H100C	[L]	
	4030017620	S.CER ECJ0EC1H100C	[P]	
	4030017620	S.CER ECJ0EC1H100C	[T]	
C84	4030017420	S.CER ECJ0EC1H470J	T	81.3/20.5
C86	4030017420	S.CER ECJ0EC1H470J	[A]	78.7/24.3
	4030017650	S.CER ECJ0EC1H270J	[B]	
	4030017420	S.CER ECJ0EC1H470J	[C]	
	4030017420	S.CER ECJ0EC1H470J	[D]	
	4030017420	S.CER ECJ0EC1H470J	[E]	
	4030017650	S.CER ECJ0EC1H270J	[F]	
	4030017420	S.CER ECJ0EC1H470J	[G]	
	4030017420	S.CER ECJ0EC1H470J	[H]	
	4030017420	S.CER ECJ0EC1H470J	[I]	
	4030017420	S.CER ECJ0EC1H470J	[K]	
	4030017650	S.CER ECJ0EC1H270J	[L]	
	4030017420	S.CER ECJ0EC1H470J	[M]	
	4030017420	S.CER ECJ0EC1H470J	[N]	
	4030017420	S.CER ECJ0EC1H470J	[O]	
	4030017650	S.CER ECJ0EC1H270J	[P]	
	4030017420	S.CER ECJ0EC1H470J	[Q]	
	4030017420	S.CER ECJ0EC1H470J	[R]	
	4030017420	S.CER ECJ0EC1H470J	[S]	
	4030017650	S.CER ECJ0EC1H270J	[T]	
	4030017420	S.CER ECJ0EC1H470J	[U]	
	4030017420	S.CER ECJ0EC1H470J	[W]	
C88	4030017460	S.CER ECJ0EB1E102K	T	73.1/24
C89	4030017570	S.CER ECJ0EC1H040B	T	75.5/24.4
	4030017570	S.CER ECJ0EC1H040B	[A]	
	4030017570	S.CER ECJ0EC1H040B	[C]	
	4030017570	S.CER ECJ0EC1H040B	[D]	
	4030017570	S.CER ECJ0EC1H040B	[E]	
	4030017570	S.CER ECJ0EC1H040B	[G]	
	4030017570	S.CER ECJ0EC1H040B	[H]	
	4030017570	S.CER ECJ0EC1H040B	[I]	
	4030017570	S.CER ECJ0EC1H040B	[K]	
	4030017570	S.CER ECJ0EC1H040B	[M]	
	4030017570	S.CER ECJ0EC1H040B	[N]	
	4030017570	S.CER ECJ0EC1H040B	[O]	
	4030017570	S.CER ECJ0EC1H040B	[Q]	
	4030017570	S.CER ECJ0EC1H040B	[R]	
	4030017570	S.CER ECJ0EC1H040B	[S]	
	4030017570	S.CER ECJ0EC1H040B	[U]	
	4030017570	S.CER ECJ0EC1H040B	[W]	
C91	4510009280	S.ELE EEE1EA4R75R	B	69.7/20.3
C92	4030017630	S.CER ECJ0EC1H120J	T	74.6/30.9
C93	4030017380	S.CER ECJ0EC1H050B	T	70.9/33.5
	4030017600	S.CER ECJ0EC1H080C	[A]	
	4030017380	S.CER ECJ0EC1H050B	[B]	
	4030017380	S.CER ECJ0EC1H050B	[C]	
	4030017380	S.CER ECJ0EC1H050B	[D]	
	4030017380	S.CER ECJ0EC1H050B	[E]	
	4030017600	S.CER ECJ0EC1H080C	[F]	
	4030017380	S.CER ECJ0EC1H050B	[G]	
	4030017380	S.CER ECJ0EC1H050B	[H]	
	4030017380	S.CER ECJ0EC1H050B	[I]	
	4030017380	S.CER ECJ0EC1H050B	[K]	
	4030017600	S.CER ECJ0EC1H080C	[L]	
	4030017380	S.CER ECJ0EC1H050B	[M]	
	4030017380	S.CER ECJ0EC1H050B	[N]	
	4030017380	S.CER ECJ0EC1H050B	[O]	
	4030017600	S.CER ECJ0EC1H080C	[P]	
	4030017380	S.CER ECJ0EC1H050B	[Q]	
	4030017380	S.CER ECJ0EC1H050B	[R]	
	4030017380	S.CER ECJ0EC1H050B	[S]	
	4030017600	S.CER ECJ0EC1H080C	[T]	
	4030017380	S.CER ECJ0EC1H050B	[U]	
	4030017380	S.CER ECJ0EC1H050B	[W]	
C94	4030017730	S.CER ECJ0EB1E471K	T	70.3/24
C96	4030017460	S.CER ECJ0EB1E102K	[B]	73.8/36
	4030017460	S.CER ECJ0EB1E102K	[F]	
	4030017460	S.CER ECJ0EB1E102K	[L]	
	4030017460	S.CER ECJ0EB1E102K	[P]	
	4030017460	S.CER ECJ0EB1E102K	[T]	
C97	4030017420	S.CER ECJ0EC1H470J	T	74.8/36

[MAIN UNIT] (For F24/S F25/S F26/S F4018)

REF NO.	PARTS NO.	DESCRIPTION	M.	H/V LOCATION
C98	4030017380	S.CER ECJ0EC1H050B	[A]	T 66.1/33.9
	4030017620	S.CER ECJ0EC1H100C	[B]	
	4030017380	S.CER ECJ0EC1H050B	[C]	
	4030017380	S.CER ECJ0EC1H050B	[D]	
	4030017380	S.CER ECJ0EC1H050B	[E]	
	4030017620	S.CER ECJ0EC1H100C	[F]	
	4030017380	S.CER ECJ0EC1H050B	[G]	
	4030017380	S.CER ECJ0EC1H050B	[H]	
	4030017380	S.CER ECJ0EC1H050B	[I]	
	4030017380	S.CER ECJ0EC1H050B	[L]	
	4030017620	S.CER ECJ0EC1H100C	[M]	
	4030017380	S.CER ECJ0EC1H050B	[N]	
	4030017380	S.CER ECJ0EC1H050B	[O]	
	4030017620	S.CER ECJ0EC1H100C	[P]	
	4030017380	S.CER ECJ0EC1H050B	[Q]	
	4030017380	S.CER ECJ0EC1H050B	[R]	
	4030017380	S.CER ECJ0EC1H050B	[S]	
	4030017620	S.CER ECJ0EC1H100C	[T]	
	4030017380	S.CER ECJ0EC1H050B	[U]	
	4030017380	S.CER ECJ0EC1H050B	[W]	
C99	4030017460	S.CER ECJ0EB1E102K	T	68.3/36.3
C100	4030017620	S.CER ECJ0EC1H100C	B	61.3/36.1
C102	4030017380	S.CER ECJ0EC1H050B	T	59.5/34.3
C103	4030017350	S.CER ECJ0EC1H020B	T	58.2/35.1
C104	4030017460	S.CER ECJ0EB1E102K	T	58.9/29.4
C105	4030017460	S.CER ECJ0EB1E102K	B	58.6/37.1
C106	4030017420	S.CER ECJ0EC1H470J	B	70.2/33.9
C107	4030017460	S.CER ECJ0EB1E102K	T	70.6/36.3
C108	4030016790	S.CER ECJ0EB1C103K	T	69.7/36.3
C109	4030017460	S.CER ECJ0EB1E102K	B	57.6/41.3
C110	4030017730	S.CER ECJ0EB1E471K	B	55.7/30.5
C111	4030017420	S.CER ECJ0EC1H470J	B	56.3/34.4
C112	4030017460	S.CER ECJ0EB1E102K	T	60.2/38.6
C113	4030017520	S.CER ECJ0EC1H0R3B	T	56.1/32.6
C114	4030017580	S.CER ECJ0EC1H060C	T	51.9/36.5
	4030017360	S.CER ECJ0EC1H030B	[A]	
	4030017580	S.CER ECJ0EC1H060C	[B]	
	4030017580	S.CER ECJ0EC1H060C	[C]	
	4030017580	S.CER ECJ0EC1H060C	[D]	
	4030017580	S.CER ECJ0EC1H060C	[E]	
	4030017360	S.CER ECJ0EC1H030B	[F]	
	4030017580	S.CER ECJ0EC1H060C	[G]	
	4030017580	S.CER ECJ0EC1H060C	[H]	
	4030017580	S.CER ECJ0EC1H060C	[I]	
	4030017580	S.CER ECJ0EC1H060C	[K]	
	4030017360	S.CER ECJ0EC1H030B	[L]	
	4030017580	S.CER ECJ0EC1H060C	[M]	
	4030017580	S.CER ECJ0EC1H060C	[N]	
	4030017580	S.CER ECJ0EC1H060C	[O]	
	4030017360	S.CER ECJ0EC1H030B	[P]	
	4030017580	S.CER ECJ0EC1H060C	[Q]	
	4030017580	S.CER ECJ0EC1H060C	[R]	
	4030017580	S.CER ECJ0EC1H060C	[S]	
	4030017360	S.CER ECJ0EC1H030B	[T]	
	4030017580	S.CER ECJ0EC1H060C	[U]	
	4030017580	S.CER ECJ0EC1H060C	[W]	
C115	4030017630	S.CER ECJ0EC1H120J	T	55.7/35.7
	4030017570	S.CER ECJ0EC1H040B	[A]	
	4030017630	S.CER ECJ0EC1H120J	[B]	
	4030017630	S.CER ECJ0EC1H120J	[C]	
	4030017630	S.CER ECJ0EC1H120J	[D]	
	4030017630	S.CER ECJ0EC1H120J	[E]	
	4030017570	S.CER ECJ0EC1H040B	[F]	
	4030017630	S.CER ECJ0EC1H120J	[G]	
	4030017630	S.CER ECJ0EC1H120J	[H]	
	4030017630	S.CER ECJ0EC1H120J	[I]	
	4030017630	S.CER ECJ0EC1H120J	[K]	
	4030017570	S.CER ECJ0EC1H040B	[L]	
	4030017630	S.CER ECJ0EC1H120J	[M]	
	4030017630	S.CER ECJ0EC1H120J	[N]	
	4030017630	S.CER ECJ0EC1H120J	[O]	
	4030017570	S.CER ECJ0EC1H040B	[P]	
	4030017630	S.CER ECJ0EC1H120J	[Q]	
	4030017630	S.CER ECJ0EC1H120J	[R]	
	4030017630	S.CER ECJ0EC1H120J	[S]	
	4030017570	S.CER ECJ0EC1H040B	[T]	
	4030017630	S.CER ECJ0EC1H120J	[U]	
	4030017630	S.CER ECJ0EC1H120J	[W]	
C116	4030016790	S.CER ECJ0EB1C103K	T	56.5/37.9
C117	4030017730	S.CER ECJ0EB1E471K	T	56.5/36.9
C118	4030017530	S.CER ECJ0EC1H0R5B	T	56.1/33.9
C119	4030017460	S.CER ECJ0EB1E102K	T	56.6/31.6
C120	4030017730	S.CER ECJ0EB1E471K	T	57.5/28.7
C121	4030017630	S.CER ECJ0EC1H120J	T	52.6/30
	4030017380	S.CER ECJ0EC1H050B	[A]	
	4030017630	S.CER ECJ0EC1H120J	[B]	
	4030017630	S.CER ECJ0EC1H120J	[C]	
	4030017630	S.CER ECJ0EC1H120J	[D]	
	4030017630	S.CER ECJ0EC1H120J	[E]	
	4030017380	S.CER ECJ0EC1H050B	[F]	
	4030017630	S.CER ECJ0EC1H120J	[G]	
	4030017630	S.CER ECJ0EC1H120J	[H]	
	4030017630	S.CER ECJ0EC1H120J	[I]	
	4030017630	S.CER ECJ0EC1H120J	[K]	
	4030017380	S.CER ECJ0EC1H050B	[L]	
	4030017630	S.CER ECJ0EC1H120J	[M]	
	4030017630	S.CER ECJ0EC1H120J	[N]	
	4030017630	S.CER ECJ0EC1H120J	[O]	
	4030017380	S.CER ECJ0EC1H050B	[P]	
	4030017630	S.CER ECJ0EC1H120J	[Q]	
	4030017630	S.CER ECJ0EC1H120J	[R]	
	4030017630	S.CER ECJ0EC1H120J	[S]	
	4030017380	S.CER ECJ0EC1H050B	[T]	
	4030017630	S.CER ECJ0EC1H120J	[U]	
	4030017630	S.CER ECJ0EC1H120J	[W]	

M.=Mounted side (T: Mounted on the Top side, B: Mounted on the Bottom side)  
S.=Surface mount

[MAIN UNIT] (For F24/S F25/S F26/S F4018)

REF NO.	PARTS NO.	DESCRIPTION	M.	H/V LOCATION
C122	4030017620	S.CER ECJ0EC1H100C	[A]	T 53.1/28.6
	4030017570	S.CER ECJ0EC1H040B	[B]	
	4030017620	S.CER ECJ0EC1H100C	[C]	
	4030017620	S.CER ECJ0EC1H100C	[D]	
	4030017620	S.CER ECJ0EC1H100C	[E]	
	4030017570	S.CER ECJ0EC1H040B	[F]	
	4030017620	S.CER ECJ0EC1H100C	[G]	
	4030017620	S.CER ECJ0EC1H100C	[H]	
	4030017620	S.CER ECJ0EC1H100C	[I]	
	4030017620	S.CER ECJ0EC1H100C	[J]	
	4030017570	S.CER ECJ0EC1H040B	[L]	
	4030017620	S.CER ECJ0EC1H100C	[M]	
	4030017620	S.CER ECJ0EC1H100C	[N]	
	4030017620	S.CER ECJ0EC1H100C	[O]	
	4030017570	S.CER ECJ0EC1H040B	[P]	
	4030017620	S.CER ECJ0EC1H100C	[Q]	
	4030017620	S.CER ECJ0EC1H100C	[R]	
	4030017620	S.CER ECJ0EC1H100C	[S]	
	4030017570	S.CER ECJ0EC1H040B	[T]	
	4030017620	S.CER ECJ0EC1H100C	[U]	
C123	4030017620	S.CER ECJ0EC1H100C	[W]	T 52.6/31
	4030017390	S.CER ECJ0EC1H180J	[A]	
	4030017640	S.CER ECJ0EC1H150J	[B]	
	4030017390	S.CER ECJ0EC1H180J	[C]	
	4030017390	S.CER ECJ0EC1H180J	[D]	
	4030017390	S.CER ECJ0EC1H180J	[E]	
	4030017640	S.CER ECJ0EC1H150J	[F]	
	4030017390	S.CER ECJ0EC1H180J	[G]	
	4030017390	S.CER ECJ0EC1H180J	[H]	
	4030017390	S.CER ECJ0EC1H180J	[I]	
	4030017390	S.CER ECJ0EC1H180J	[J]	
	4030017390	S.CER ECJ0EC1H180J	[K]	
	4030017640	S.CER ECJ0EC1H150J	[L]	
	4030017390	S.CER ECJ0EC1H180J	[M]	
	4030017390	S.CER ECJ0EC1H180J	[N]	
	4030017390	S.CER ECJ0EC1H180J	[O]	
	4030017640	S.CER ECJ0EC1H150J	[P]	
	4030017390	S.CER ECJ0EC1H180J	[Q]	
	4030017390	S.CER ECJ0EC1H180J	[R]	
	C124	4030017390	S.CER ECJ0EC1H180J	
4030017640		S.CER ECJ0EC1H150J	[T]	
4030017390		S.CER ECJ0EC1H180J	[U]	
4030017620		S.CER ECJ0EC1H100C	[A]	
4030017380		S.CER ECJ0EC1H050B	[B]	
4030017620		S.CER ECJ0EC1H100C	[C]	
4030017620		S.CER ECJ0EC1H100C	[D]	
4030017620		S.CER ECJ0EC1H100C	[E]	
4030017380		S.CER ECJ0EC1H050B	[F]	
4030017620		S.CER ECJ0EC1H100C	[G]	
4030017620		S.CER ECJ0EC1H100C	[H]	
4030017620		S.CER ECJ0EC1H100C	[I]	
4030017620		S.CER ECJ0EC1H100C	[K]	
4030017380		S.CER ECJ0EC1H050B	[L]	
4030017620		S.CER ECJ0EC1H100C	[M]	
4030017620		S.CER ECJ0EC1H100C	[N]	
4030017620		S.CER ECJ0EC1H100C	[O]	
4030017380		S.CER ECJ0EC1H050B	[P]	
4030017620		S.CER ECJ0EC1H100C	[Q]	
C126 C127		4030017620	S.CER ECJ0EC1H100C	[R]
	4030017620	S.CER ECJ0EC1H100C	[S]	
	4030017620	S.CER ECJ0EC1H100C	[T]	
	4030017620	S.CER ECJ0EC1H100C	[U]	
	4030017620	S.CER ECJ0EC1H100C	[W]	
	4030017630	S.CER ECJ0EC1H120J	[A]	
	4030017610	S.CER ECJ0EC1H090C	[B]	
	4030017380	S.CER ECJ0EC1H050B	[C]	
	4030017610	S.CER ECJ0EC1H090C	[D]	
	4030017610	S.CER ECJ0EC1H090C	[E]	
	4030017380	S.CER ECJ0EC1H050B	[F]	
	4030017610	S.CER ECJ0EC1H090C	[G]	
	4030017610	S.CER ECJ0EC1H090C	[H]	
	4030017610	S.CER ECJ0EC1H090C	[I]	
	4030017610	S.CER ECJ0EC1H090C	[K]	
	4030017380	S.CER ECJ0EC1H050B	[L]	
	4030017610	S.CER ECJ0EC1H090C	[M]	
	4030017610	S.CER ECJ0EC1H090C	[N]	
	4030017610	S.CER ECJ0EC1H090C	[O]	
	C129 C130 C132	4030017380	S.CER ECJ0EC1H050B	[P]
4030017610		S.CER ECJ0EC1H090C	[Q]	
4030017610		S.CER ECJ0EC1H090C	[R]	
4030017610		S.CER ECJ0EC1H090C	[S]	
4030017380		S.CER ECJ0EC1H050B	[T]	
4030017610		S.CER ECJ0EC1H090C	[U]	
4030017610		S.CER ECJ0EC1H090C	[W]	
4030017530		S.CER ECJ0EC1H0R5B	[A]	
4030016950		S.CER ECJ0EB1A473K	[B]	
4030017460		S.CER ECJ0EB1E102K	[B]	

[MAIN UNIT] (For F24/S F25/S F26/S F4018)

REF NO.	PARTS NO.	DESCRIPTION	M.	H/V LOCATION
C133	4030017390	S.CER ECJ0EC1H180J	[A]	T 51.1/31
	4030017640	S.CER ECJ0EC1H150J	[B]	
	4030017390	S.CER ECJ0EC1H180J	[C]	
	4030017390	S.CER ECJ0EC1H180J	[D]	
	4030017390	S.CER ECJ0EC1H180J	[E]	
	4030017640	S.CER ECJ0EC1H150J	[F]	
	4030017390	S.CER ECJ0EC1H180J	[G]	
	4030017390	S.CER ECJ0EC1H180J	[H]	
	4030017390	S.CER ECJ0EC1H180J	[I]	
	4030017390	S.CER ECJ0EC1H180J	[J]	
	4030017640	S.CER ECJ0EC1H150J	[L]	
	4030017390	S.CER ECJ0EC1H180J	[M]	
	4030017390	S.CER ECJ0EC1H180J	[N]	
	4030017390	S.CER ECJ0EC1H180J	[O]	
	4030017640	S.CER ECJ0EC1H150J	[P]	
	4030017390	S.CER ECJ0EC1H180J	[Q]	
	4030017390	S.CER ECJ0EC1H180J	[R]	
	4030017390	S.CER ECJ0EC1H180J	[S]	
	4030017640	S.CER ECJ0EC1H150J	[T]	
	C134	4030017390	S.CER ECJ0EC1H180J	
4030017390		S.CER ECJ0EC1H180J	[W]	
4030017630		S.CER ECJ0EC1H120J	[A]	
4030017390		S.CER ECJ0EC1H180J	[B]	
4030017390		S.CER ECJ0EC1H180J	[C]	
4030017390		S.CER ECJ0EC1H180J	[D]	
4030017390		S.CER ECJ0EC1H180J	[E]	
4030017630		S.CER ECJ0EC1H120J	[F]	
4030017390		S.CER ECJ0EC1H180J	[G]	
4030017390		S.CER ECJ0EC1H180J	[H]	
4030017390		S.CER ECJ0EC1H180J	[I]	
4030017390		S.CER ECJ0EC1H180J	[J]	
4030017630		S.CER ECJ0EC1H120J	[L]	
4030017390		S.CER ECJ0EC1H180J	[M]	
4030017390		S.CER ECJ0EC1H180J	[N]	
4030017390		S.CER ECJ0EC1H180J	[O]	
4030017630		S.CER ECJ0EC1H120J	[P]	
4030017390		S.CER ECJ0EC1H180J	[Q]	
4030017390		S.CER ECJ0EC1H180J	[R]	
C135 C136 C137 C138 C139 C140 C141 C142 C143 C144 C145 C146 C147 C148 C149 C150 C151 C152 C153 C154 C155 C156 C157 C158 C159 C160 C161 C162 C163 C164 C165 C166 C167 C168 C169 C170 C171 C173 C175		4030017460	S.CER ECJ0EB1E102K	[S]
	4030017390	S.CER ECJ0EB1E102K	[W]	
	4030017460	S.CER ECJ0EB1E102K	[A]	
	4030016930	S.CER ECJ0EB1A104K	[B]	
	4030016790	S.CER ECJ0EB1C103K	[C]	
	4030017460	S.CER ECJ0EB1E102K	[D]	
	4030016930	S.CER ECJ0EB1A104K	[E]	
	4030016930	S.CER ECJ0EB1A104K	[F]	
	4030017460	S.CER ECJ0EB1E102K	[G]	
	4030016930	S.CER ECJ0EB1A104K	[H]	
	4030017460	S.CER ECJ0EB1E102K	[I]	
	4030017420	S.CER ECJ0EC1H470J	[J]	
	4030017420	S.CER ECJ0EC1H470J	[K]	
	4030017420	S.CER ECJ0EC1H470J	[L]	
	4030017420	S.CER ECJ0EC1H470J	[M]	
	4030017460	S.CER ECJ0EB1E102K	[N]	
	4030017620	S.CER ECJ0EC1H100C	[O]	
	4030016930	S.CER ECJ0EB1A104K	[P]	
	4030017460	S.CER ECJ0EB1E102K	[Q]	
	4030016930	S.CER ECJ0EB1A104K	[R]	
4030016930	S.CER ECJ0EB1A104K	[S]		
4030017620	S.CER ECJ0EC1H100C	[T]		
4030017500	S.CER ECJ0EC1H560J	[U]		
4030017570	S.CER ECJ0EC1H040B	[V]		
4030017590	S.CER ECJ0EC1H070C	[W]		
4030016790	S.CER ECJ0EB1C103K	[A]		
4030017360	S.CER ECJ0EC1H030B	[B]		
4030016930	S.CER ECJ0EB1A104K	[C]		
4030016930	S.CER ECJ0EB1A104K	[D]		
4030017360	S.CER ECJ0EC1H030B	[E]		
4030016930	S.CER ECJ0EB1A104K	[F]		
4030016930	S.CER ECJ0EB1A104K	[G]		
4030017460	S.CER ECJ0EB1E102K	[H]		
4030017420	S.CER ECJ0EC1H470J	[I]		
4030017460	S.CER ECJ0EB1E102K	[J]		
4030017360	S.CER ECJ0EC1H030B	[K]		
4030017560	S.CER ECJ0EC1H2R5B	[L]		
4030017360	S.CER ECJ0EC1H030B	[M]		
4030017360	S.CER ECJ0EC1H030B	[N]		
4030017360	S.CER ECJ0EC1H030B	[O]		
4030017360	S.CER ECJ0EC1H030B	[P]		
4030017360	S.CER ECJ0EC1H030B	[Q]		
4030017360	S.CER ECJ0EC1H030B	[R]		
4030017360	S.CER ECJ0EC1H030B	[S]		
4030017560	S.CER ECJ0EC1H2R5B	[T]		
4030017360	S.CER ECJ0EC1H030B	[U]		
4030017360	S.CER ECJ0EC1H030B	[V]		
C176	4030017460	S.CER ECJ0EB1E102K	[W]	T 77.7/20.4

M.=Mounted side (T: Mounted on the Top side, B: Mounted on the Bottom side)  
S.=Surface mount

[MAIN UNIT] (For F24/S F25/S F26/S F4018)

REF NO.	PARTS NO.	DESCRIPTION	M.	H/V LOCATION
C177	4030009910	S.CER C1608 CH 1H 040B-T	[A]	B 90.7/33.4
	4030009910	S.CER C1608 CH 1H 040B-T	[B]	
	4030009910	S.CER C1608 CH 1H 040B-T	[C]	
	4030009910	S.CER C1608 CH 1H 040B-T	[D]	
	4030009910	S.CER C1608 CH 1H 040B-T	[E]	
	4030009910	S.CER C1608 CH 1H 040B-T	[F]	
	4030009910	S.CER C1608 CH 1H 040B-T	[G]	
	4030009910	S.CER C1608 CH 1H 040B-T	[H]	
	4030009910	S.CER C1608 CH 1H 040B-T	[I]	
	4030009910	S.CER C1608 CH 1H 040B-T	[K]	
	4030009910	S.CER C1608 CH 1H 040B-T	[L]	
	4030009910	S.CER C1608 CH 1H 040B-T	[M]	
	4030009910	S.CER C1608 CH 1H 040B-T	[N]	
	4030009910	S.CER C1608 CH 1H 040B-T	[O]	
	4030009910	S.CER C1608 CH 1H 040B-T	[P]	
	4030009910	S.CER C1608 CH 1H 040B-T	[Q]	
	4030009910	S.CER C1608 CH 1H 040B-T	[R]	
	4030009910	S.CER C1608 CH 1H 040B-T	[S]	
	4030017570	S.CER ECJ0EC1H040B	[T]	
	4030009910	S.CER C1608 CH 1H 040B-T	[U]	
	4030009910	S.CER C1608 CH 1H 040B-T	[W]	
C178	4030017420	S.CER ECJ0EC1H470J		T 77.7/21.3
C179	4030006860	S.CER C1608 JB 1H 102K-T		T 86.6/31.4
C180	4030017420	S.CER ECJ0EC1H470J		T 67.1/32.3
C182	4030017600	S.CER ECJ0EC1H080C	[A]	T 68.8/31.6
	4030017590	S.CER ECJ0EC1H070C	[B]	
	4030017600	S.CER ECJ0EC1H080C	[C]	
	4030017600	S.CER ECJ0EC1H080C	[D]	
	4030017600	S.CER ECJ0EC1H080C	[E]	
	4030017590	S.CER ECJ0EC1H070C	[F]	
	4030017600	S.CER ECJ0EC1H080C	[G]	
	4030017600	S.CER ECJ0EC1H080C	[H]	
	4030017600	S.CER ECJ0EC1H080C	[I]	
	4030017600	S.CER ECJ0EC1H080C	[K]	
	4030017590	S.CER ECJ0EC1H070C	[L]	
	4030017600	S.CER ECJ0EC1H080C	[M]	
	4030017600	S.CER ECJ0EC1H080C	[N]	
	4030017600	S.CER ECJ0EC1H080C	[O]	
	4030017590	S.CER ECJ0EC1H070C	[P]	
	4030017600	S.CER ECJ0EC1H080C	[Q]	
	4030017600	S.CER ECJ0EC1H080C	[R]	
	4030017600	S.CER ECJ0EC1H080C	[S]	
	4030017590	S.CER ECJ0EC1H070C	[T]	
	4030017600	S.CER ECJ0EC1H080C	[U]	
	4030017600	S.CER ECJ0EC1H080C	[W]	
C183	4030017420	S.CER ECJ0EC1H470J		T 74.1/24
C185	4030017530	S.CER ECJ0EC1H0R5B		B 90.7/35.7
C186	4030017530	S.CER ECJ0EC1H0R5B		B 92.1/38.7
C188	4030017460	S.CER ECJ0EB1E102K		B 47.5/20.7
C196	4030017420	S.CER ECJ0EC1H470J		B 62.5/39
C197	4030017460	S.CER ECJ0EB1E102K		B 62.5/39.9
C202	4030016930	S.CER ECJ0EB1A104K		T 48.4/33.4
C203	4030017460	S.CER ECJ0EB1E102K		B 46.9/30.1
C205	4030017380	S.CER ECJ0EC1H050B		B 56.3/39.7
C206	4030017590	S.CER ECJ0EC1H070C		B 55.9/41.3
C208	4030017590	S.CER ECJ0EC1H070C		B 54.2/42.3
C209	4030017460	S.CER ECJ0EB1E102K		B 54.2/43.3
C211	4030018910	S.CER C1608 JB 0J 475K-T		T 36.1/21.9
C213	4030017460	S.CER ECJ0EB1E102K		T 31.5/27.8
C221	4030016930	S.CER ECJ0EB1A104K		T 32.3/31.6
C222	4030016930	S.CER ECJ0EB1A104K		T 19.2/34
C223	4030016930	S.CER ECJ0EB1A104K		B 29.7/9
C224	4030016930	S.CER ECJ0EB1A104K		T 40.9/29.1
C225	4030017460	S.CER ECJ0EB1E102K		B 83/11.6
C226	4550005980	S.TAN TEESVA 1A 475M8R		B 81.2/13.5
C227	4030016790	S.CER ECJ0EB1C103K		B 86.9/13
C228	4510008540	S.ELE EEE1CA100SR		B 89.4/15.7
C229	4030017460	S.CER ECJ0EB1E102K		B 85.8/17.8
C230	4030016930	S.CER ECJ0EB1A104K		B 85.8/16.8
C231	4030016790	S.CER ECJ0EB1C103K		T 74/13.3
C232	4030017730	S.CER ECJ0EB1E471K		T 76.2/13.3
C233	4030016790	S.CER ECJ0EB1C103K		T 24.5/23
C234	4030017460	S.CER ECJ0EB1E102K		T 24.2/27.8
C235	4030016790	S.CER ECJ0EB1C103K		T 69.8/15.7
C236	4030017460	S.CER ECJ0EB1E102K		T 69.8/17.7
C237	4510008660	S.ELE EEE0JA220SR		B 76/15.5
C238	4030017460	S.CER ECJ0EB1E102K		B 77/18.4
C241	4030016930	S.CER ECJ0EB1A104K		T 35.4/9.9
C242	4030016930	S.CER ECJ0EB1A104K		T 44.7/9.9
C243	4030016790	S.CER ECJ0EB1C103K		T 40.5/9.9
C244	4030016930	S.CER ECJ0EB1A104K		B 46.5/15.4
C251	4030016970	S.CER ECJ0EB1C223K		T 33.4/17.1
C252	4030017740	S.CER ECJ0EB1E821K		T 29.9/16.1
C253	4030017740	S.CER ECJ0EB1E821K		T 33.4/14.9
C254	4030016930	S.CER ECJ0EB1A104K		T 33.4/10.9
C255	4030016950	S.CER ECJ0EB1A473K		B 34.5/12.1
C256	4030016940	S.CER ECJ0EB1A393K		T 29.9/28.1
C257	4030016930	S.CER ECJ0EB1A104K		T 29.9/30.1
C258	4030017790	S.CER ECJ0EB1E682K		T 26.6/30.1
C259	4030018860	S.CER ECJ0EB0J105K		T 31.5/41.1
C260	4030017730	S.CER ECJ0EB1E471K		T 29.8/39.1
C261	4030016930	S.CER ECJ0EB1A104K		T 31.5/40.1
C264	4510008540	S.ELE EEE1CA100SR		B 69.7/15.5
C265	4030017460	S.CER ECJ0EB1E102K		B 64.4/12.3
C266	4030016930	S.CER ECJ0EB1A104K		B 63/8.5
C269	4030017720	S.CER ECJ0EB1H331K		T 11.6/37.9
C270	4030016950	S.CER ECJ0EB1A473K		T 14.1/28.8
C271	4030016950	S.CER ECJ0EB1A473K		T 14.1/26.8
C272	4030016950	S.CER ECJ0EB1A473K		T 10.6/28.5
C273	4030016950	S.CER ECJ0EB1A473K		T 14.1/27.8
C274	4030016950	S.CER ECJ0EB1A473K		T 11.6/31.9
C275	4030016970	S.CER ECJ0EB1C223K		T 11.6/34.4
C276	4030016950	S.CER ECJ0EB1A473K		T 12.6/34.4
C277	4030016930	S.CER ECJ0EB1A104K		T 14.6/40.1

[MAIN UNIT] (For F24/S F25/S F26/S F4018)

REF NO.	PARTS NO.	DESCRIPTION	M.	H/V LOCATION
C278	4030017430	S.CER ECJ0EC1H101J		T 18/40.1
C279	4030018910	S.CER C1608 JB 0J 475K-T		T 36.9/23.2
C280	4030017780	S.CER ECJ0EB1E472K		T 21.3/27.8
C281	4030018920	S.CER ECJ0EB1H392K		T 17.7/26.8
C282	4030017710	S.CER ECJ0EC1H181J		T 17.7/29.8
C283	4030018900	S.CER ECJ0EB0J474K		T 19.4/31.7
C284	4030016930	S.CER ECJ0EB1A104K		T 22.9/39.1
C285	4030016930	S.CER ECJ0EB1A104K		T 22.9/40.1
C286	4030017460	S.CER ECJ0EB1E102K		B 16.7/40.4
C287	4550006250	S.TAN TEESVA 1A 106M8R		B 21.8/40.7
C288	4030017460	S.CER ECJ0EB1E102K		B 17.2/38.1
C289	4030016930	S.CER ECJ0EB1A104K		B 20.2/31
C290	4030016930	S.CER ECJ0EB1A104K		T 27.5/16.2
C291	4030016780	S.CER ECJ0EB1C153K		T 25.7/10.9
C292	4030016930	S.CER ECJ0EB1A104K		T 25.7/13.9
C293	4030017740	S.CER ECJ0EB1E821K		T 25.7/11.9
C295	4030018110	S.CER ECJ0EB1H272K		T 29.1/5.1
C296	4030018240	S.CER ECJ0EB1E562K		T 29.1/6.1
C297	4030017710	S.CER ECJ0EC1H181J		T 27.1/7.1
C298	4030018090	S.CER ECJ0EB1C822K		T 31/7.1
C299	4030017510	S.CER ECJ0EC1H680J		T 31/5.1
C300	4030017450	S.CER ECJ0EB1E271K		B 19.8/38.2
C302	4030017620	S.CER ECJ0EC1H100C		T 66/39.3
C303	4030017460	S.CER ECJ0EB1E102K		T 65/39.3
C304	4030017580	S.CER ECJ0EC1H060C		B 68.5/40.2
C305	4030017580	S.CER ECJ0EC1H060C		B 64.2/40.8
C306	4030017460	S.CER ECJ0EB1E102K		B 61/12.3
C307	4030017460	S.CER ECJ0EB1E102K		B 59.3/12.3
C308	4030017460	S.CER ECJ0EB1E102K		T 75.7/9.8
C309	4030017460	S.CER ECJ0EB1E102K		B 75.5/11.3
C310	4030016930	S.CER ECJ0EB1A104K		T 21.3/11.9
C311	4030017460	S.CER ECJ0EB1E102K		B 64.9/8.5
C312	4030017420	S.CER ECJ0EC1H470J		B 75/6.1
C313	4030017420	S.CER ECJ0EC1H470J		B 32.9/7.1
C314	4030017460	S.CER ECJ0EB1E102K		T 86.6/3.3
C315	4030017460	S.CER ECJ0EB1E102K		T 93.2/6
C316	4030016930	S.CER ECJ0EB1A104K		T 91.7/2.8
C317	4510008540	S.ELE EEE1CA100SR		B 95.9/15.2
C318	4030016930	S.CER ECJ0EB1A104K		T 89.7/8.9
C319	4030016930	S.CER ECJ0EB1A104K		T 89.6/2.8
C320	4030017730	S.CER ECJ0EB1E471K		T 88.6/2.8
C321	4030017460	S.CER ECJ0EB1E102K		B 19.3/4.2
C322	4030016950	S.CER ECJ0EB1A473K		T 93.9/13.9
C323	4030016950	S.CER ECJ0EB1A473K		T 87.6/9.7
C324	4030017420	S.CER ECJ0EC1H470J		T 85/13.7
C325	4550006250	S.TAN TEESVA 1A 106M8R		T 90.6/17.2
C326	4510008900	S.ELE EEEFC0J101P		B 87.8/8.9
C333	4030017420	S.CER ECJ0EC1H470J		B 76.8/39.9
C335	4030018860	S.CER ECJ0EB0J105K		B 54.6/22.6
C339	4030016930	S.CER ECJ0EB1A104K		B 5.9/17.2
C340	4030016930	S.CER ECJ0EB1A104K		B 9.3/12.5
C341	4030016930	S.CER ECJ0EB1A104K		B 5.9/10.1
C342	4030017630	S.CER ECJ0EC1H120J		B 18.3/4.2
C343	4030017580	S.CER ECJ0EC1H060C		B 5.6/4.2
C344	4030017640	S.CER ECJ0EC1H150J		B 7.6/9.1
C345	4030016930	S.CER ECJ0EB1A104K		B 11/11.2
C346	4030016930	S.CER ECJ0EB1A104K		B 11/10.1
C347	4030016790	S.CER ECJ0EB1C103K		T 8.8/6.5
C348	4030016930	S.CER ECJ0EB1A104K		T 6/10
C349	4030016930	S.CER ECJ0EB1A104K		T 21.3/14.9
C350	4030017460	S.CER ECJ0EB1E102K		T 59.4/43.4
C354	4030017460	S.CER ECJ0EB1E102K		T 14.2/24.4
C355	4030018080	S.CER ECJ0EB1H182K		T 42.9/22.7
C356	4030018910	S.CER C1608 JB 0J 475K-T		T 34.6/20.6
C357	4030017400	S.CER ECJ0EC1H220J	[A]	T 79/25.5
	4030017400	S.CER ECJ0EC1H220J	[C]	
	4030017400	S.CER ECJ0EC1H220J	[D]	
	4030017400	S.CER ECJ0EC1H220J	[E]	
	4030017400	S.CER ECJ0EC1H220J	[G]	
	4030017400	S.CER ECJ0EC1H220J	[H]	
	4030017400	S.CER ECJ0EC1H220J	[I]	
	4030017400	S.CER ECJ0EC1H220J	[K]	
	4030017400	S.CER ECJ0EC1H220J	[M]	
	4030017400	S.CER ECJ0EC1H220J	[N]	
	4030017400	S.CER ECJ0EC1H220J	[O]	
	4030017400	S.CER ECJ0EC1H220J	[Q]	
	4030017400	S.CER ECJ0EC1H220J	[R]	
	4030017400	S.CER ECJ0EC1H220J	[S]	
	4030017400	S.CER ECJ0EC1H220J	[U]	
	4030017400	S.CER ECJ0EC1H220J	[W]	
J1	6510021901	S.CON BM02B-ASRS-TF(LF)(SN)		T 86.6/6.8
J2	6450001680	CON HSJ1122-010010		
J3	6450002250	CON HSJ1456-010320		
J4	6510018430	S.CON AXN330C038P		B 11.8/30.6
J5	6510021901	S.CON BM02B-ASRS-TF(LF)(SN)	[K]	T 50.4/11.7
	6510021901	S.CON BM02B-ASRS-TF(LF)(SN)	[L]	
	6510021901	S.CON BM02B-ASRS-TF(LF)(SN)	[M]	
	6510021901	S.CON BM02B-ASRS-TF(LF)(SN)	[N]	
	6510021901	S.CON BM02B-ASRS-TF(LF)(SN)	[O]	
	6510021901	S.CON BM02B-ASRS-TF(LF)(SN)	[P]	
	6510021901	S.CON BM02B-ASRS-TF(LF)(SN)	[Q]	
	6510021901	S.CON BM02B-ASRS-TF(LF)(SN)	[R]	
	6510021901	S.CON BM02B-ASRS-TF(LF)(SN)	[S]	
F1	5210000830	S.FUS ERBFE3R00U		T 98/14.5
DS1	5040002670	S.LED CL-165HR/YG		T 102.8/12.4
MC1	7700002750	MIC EM9745P-38-G <HOR>		



[MAIN UNIT] (For F24/S F25/S F26/S F4018)

REF NO.	PARTS NO.	DESCRIPTION	M.	H/V LOCATION
S1	2260001900	SWI SW-149 (SKHLLD)		
S2	2260002800	S.SWI SW-167 (SKQTLAE010)	B	99.4/44.2
S3	2260002800	S.SWI SW-167 (SKQTLAE010)	B	60.9/44.2
S4	2250000490	ENC TP70TF5163-15.9F-2775	[A]	
	2250000490	ENC TP70TF5163-15.9F-2775	[B]	
	2250000490	ENC TP70TF5163-15.9F-2775	[C]	
	2250000490	ENC TP70TF5163-15.9F-2775	[D]	
	2250000490	ENC TP70TF5163-15.9F-2775	[E]	
	2250000490	ENC TP70TF5163-15.9F-2775	[F]	
	2250000490	ENC TP70TF5163-15.9F-2775	[G]	
	2250000490	ENC TP70TF5163-15.9F-2775	[H]	
	2250000490	ENC TP70TF5163-15.9F-2775	[I]	
	2250000490	ENC TP70TF5163-15.9F-2775	[J]	
	2250000490	ENC TP70TF5163-15.9F-2775	[U]	
	2250000490	ENC TP70TF5163-15.9F-2775	[W]	
EP1	6910015370	S.BEA ACZ1005Y-102-T	T	57/29.9
EP3	6910015370	S.BEA ACZ1005Y-102-T	T	34.7/32
MP1	8410002531	S.HEA 2681 PA HEATSINK-1	B	79/28.2
MP3	8510016470	S.CAS 2775 VCO CASE	T	54.1/33.2

[MAIN-B UNIT] (For F26-L F4018-L)

REF NO.	PARTS NO.	DESCRIPTION	M.	H/V LOCATION
IC1	1110003201	S.IC TA31136FNG(EL)	B	51.8/19
IC2	1130000861	S.IC TC75S51F(TE85L,F)	T	68.9/21
IC4	1140005991	S.IC MB15A02PFV1-G-BND-ERE1	T	38.3/35.7
IC5	1110005340	S.IC NJM12902V-TE1-#ZZZB	T	29.7/11.6
IC6	1110005320	S.IC NJM13403V-TE1-#ZZZB	T	15.9/34.6
IC7	1110005330	S.IC NJM12904V-TE1-#ZZZB	T	29.2/34.6
IC8	1190000350	S.IC M62363FP-650C	T	40.3/15.2
IC9	1110005350	S.IC NJM2870F05-TE1-#FZZB	B	84.2/14.2
IC10	1130011770	S.IC CD4066BPWR	T	22.9/34.6
IC12	1110001811	S.IC TA7368FG(5,ER)	T	89.3/13.2
IC13	1140012721	S.IC HD6433687C73FPV(FX-2775A-1)	T	12.5/14.3
IC14	1110006260	S.IC BD5242G-TR	T	6.6/5.9
IC15	1130011540	S.IC BR24L16FV-WE2	B	16/11.6
Q1	1560000841	S.FET 2SK1829(TE85R,F)	T	75/39.6
Q2	1580000731	S.FET 3SK293(TE85L,F)	B	76.8/37.9
Q3	1580000800	S.FET 3SK324UG-TL-E	B	66.2/37.9
Q4	1530002601	S.TRA 2SC4215-O(TE85R,F)	B	51.4/23.1
Q5	1530000371	S.TRA 2SC3356-T1B S (R25)	T	74.3/33.5
Q6	1590003231	S.TRA UNR9113G0L	T	72.5/19.1
Q7	1560001232	S.FET RD07MVS2-T112	T	82.6/27.2
Q8	1560001241	S.FET RD01MUS1-T113	T	76.1/27.5
Q9	1530003311	S.TRA 2SC5107-O(TE85R,F)	T	67/30.3
Q10	1530003311	S.TRA 2SC5107-O(TE85R,F)	T	59.4/36.3
Q11	1530003311	S.TRA 2SC5107-O(TE85R,F)	B	56.3/37
Q12	1530003311	S.TRA 2SC5107-O(TE85R,F)	T	59/31.5
Q13	1530002920	S.TRA 2SC4226-T1 R25	T	54.9/30.7
Q14	1530002920	S.TRA 2SC4226-T1 R25	T	54.2/37.1
Q15	1590001400	S.TRA XP1214(TX)	B	56.5/32.6
Q16	1590003291	S.TRA UNR9213G0L	B	59.1/32.6
Q17	1530002851	S.TRA 2SC4116-BL(TE85R,F)	T	55.5/44.1
Q18	1560000541	S.FET 2SK880-Y(T5RICOM,F)	B	51.5/40.4
Q19	1530002851	S.TRA 2SC4116-BL(TE85R,F)	T	43.3/29.9
Q21	1510000920	S.TRA 2SA1577 T106 Q	T	71.9/16.4
Q22	1510000920	S.TRA 2SA1577 T106 Q	T	24.9/25.9
Q23	1520000460	S.TRA 2SB1132 T100 R	T	81/15.2
Q24	1590001190	S.TRA XP6501-(TX).AB	T	76.3/15.1
Q25	1590003231	S.TRA UNR9113G0L	T	75.7/11.7
Q26	1590003291	S.TRA UNR9213G0L	T	49.7/18.4
Q27	1590003291	S.TRA UNR9213G0L	T	24.8/16.7
Q28	1590003431	S.TRA UNR911HG0L	B	63.1/10.6
Q29	1590003271	S.TRA UNR9210G0L	B	35.7/9.2
Q30	1510001080	S.TRA 2SA2048 TLR	T	91.9/8.6
Q31	1590001190	S.TRA XP6501-(TX).AB	T	91.4/5.2
Q32	1590003020	S.TRA XP4216-(TX)	T	16.5/23.1
Q33	1590003231	S.TRA UNR9113G0L	T	19.9/22.5
Q34	1560001360	S.FET 2SK3019 TL	T	10.7/30.1
Q35	1560001360	S.FET 2SK3019 TL	T	9.1/26.6
D1	1750001080	S.DIO RB886G T2R	B	90.2/38.7
D2	1750000581	S.DIO 1SV307(TPH3,F)	B	91.5/31.1
D3	1750000711	S.VAR HVC350BTRF-E	B	87.5/33.5
D4	1750000711	S.VAR HVC350BTRF-E	B	87.5/34.8
D5	1790001261	S.DIO MA2S077G0L	B	87.4/36.7
D6	1790001241	S.DIO MA2S7280GL	B	85/39.9
D7	1750000711	S.VAR HVC350BTRF-E	B	81.8/33.5
D8	1750000711	S.VAR HVC350BTRF-E	B	81.8/34.8
D9	1750000711	S.VAR HVC350BTRF-E	B	73.6/35.9
D10	1750000711	S.VAR HVC350BTRF-E	B	72.2/35.9
D14	1790001261	S.DIO MA2S077G0L	T	65.8/35.3
D15	1790001261	S.DIO MA2S077G0L	T	65.8/36.7
D16	1750000771	S.VAR HVC376BTRF-E	T	52.6/38.9
D17	1750000771	S.VAR HVC376BTRF-E	T	49.4/28.3
D18	1720000570	S.VAR MA368(TX)	B	49.6/26.9
D21	1750000831	S.VAR HVC362TRF-E	T	50.5/33.7
D22	1750000831	S.VAR HVC362TRF-E	T	50.5/35.2
D24	1790001251	S.DIO MA2S1110GL	T	41.5/39.2
D25	1790001251	S.DIO MA2S1110GL	T	70.5/40.4
D26	1790001790	S.DIO RB876W TL	B	35.7/7.1
D27	1750000520	S.DIO DAN222TL	B	21.3/6
D28	1790001261	S.DIO MA2S077G0L	B	8.5/11.2
D29	1750000940	S.DIO ISS400 TE61	B	23.1/4
D30	1750001080	S.DIO RB886G T2R	T	88.5/36.2
F1	2030000150	S.MON DSF753SB 46.350 MHz (FL-335)	B	62.8/27.1
F2	2020002410	CER LTM450FW <JJE>		
F3	2040001440	S.LC NFE31PT152Z1E9L (NFM60R20T152)	B	81.2/17.8
X1	6070000191	S.DIS CDBKB450KCAY24-R0	T	54.4/20
X2	6050011940	S.XTA CR-783 TTS14VSB-A6 15.3 MHz	T	36.9/28.9
X3	6050011720	S.XTA CR-764 SMD-49TB 19.6608 MHz	B	12/5.9
L1	6200012490	S.COI 0.30-0.9-6TR 13.6N <COMO>	B	94.7/36.4
L2	6200013010	S.COI 0.30-0.9-5TL 10.3N <COMO>	B	94.8/31.9
L3	6200012610	S.COI 0.40-0.9-2TL 2.8N <COMO>	B	92.9/26.3
L4	6200012610	S.COI 0.40-0.9-2TL 2.8N <COMO>	B	89.9/20.6
L5	6200010850	S.COI LQW18AN22NG00D (LQW1608A22NG00)	B	89.1/36.5
L7	6200007710	S.COI LQW2BHN27NJ03L	B	84.3/34.5
L8	6200007710	S.COI LQW2BHN27NJ03L	B	78.9/35.3
L9	6200007230	S.COI LQW2BHN15NJ03L	B	75.9/35.2
L11	6200007690	S.COI LQW2BHN18NJ03L	B	70.6/37.8
L12	6200011001	S.COI ELJRF 56NJFB	B	64.2/39
L13	6200007850	S.COI ELJNC R82K-F	B	66.8/33.9
L15	6200002851	S.COI NLV25T-R82J	T	93.8/31.8
L17	6200012980	S.COI 0.40-1.4-5TR 18.3N <COMO>	B	81.2/20.9
L19	6200005681	S.COI ELJRE 15NGFA	T	76/35.5
L20	6200005691	S.COI ELJRE 18NGFA	T	68.8/33.1

M.=Mounted side (T: Mounted on the Top side, B: Mounted on the Bottom side)  
S.=Surface mount



[MAIN-B UNIT] (For F26-L F4018-L)

REF NO.	PARTS NO.	DESCRIPTION	M.	H/V LOCATION
L21	6200007881	S.COI ELJRF 33NJFB	T	59.2/38.6
L22	6200007901	S.COI ELJRF 22NJFB	T	59.5/33.3
L23	6200002851	S.COI NLV25T-R82J	T	55.2/28.1
L25	6200013630	S.COI 0.30-0.9-3TR 5.8N 5PER<COMO>	T	49.5/29.9
L26	6200013580	S.COI 0.30-0.9-4TR 5PER <COMO>	T	49.3/27.8
L27	6200004951	S.COI NLV25T-1R8J	B	52.8/29.9
L28	6200004951	S.COI NLV25T-1R8J	B	52/36.6
L29	6200004660	S.COI MLF1608A 1R8K-T	T	43.9/36.4
L30	6200007881	S.COI ELJRF 33NJFB	B	85.1/38.7
L32	6200007911	S.COI ELJRF 18NJFB	B	55.9/42.3
L33	6200004480	S.COI MLF1608D R82K-T	T	43.4/25.9
L35	6200003540	S.COI MLF1608D R22K-T	T	41.7/31.8
L38	6200005711	S.COI ELJRE 27NGFA	B	65.6/40.7
L40	6200002851	S.COI NLV25T-R82J	T	53.6/34.6
L41	6200011001	S.COI ELJRF 56NJFB	B	58.4/38.2
L42	6200004951	S.COI NLV25T-1R8J	B	49.4/34
L43	6200004951	S.COI NLV25T-1R8J	B	49.4/31.1
L45	6200012490	S.COI 0.30-0.9-6TR 13.6N <COMO>	B	94.9/39.6
R1	7030003490	S.RES ERJ3GEYJ 272 V (2.7K)	B	91.8/39.9
R2	7030005120	S.RES ERJ2GEJ 102 X (1K)	B	92.1/37.7
R3	7030004970	S.RES ERJ2GEJ 470 X (47)	T	66.7/22.7
R4	7030005050	S.RES ERJ2GEJ 103 X (10K)	T	75.8/20.8
R5	7030005050	S.RES ERJ2GEJ 103 X (10K)	T	73.3/21.1
R6	7030005090	S.RES ERJ2GEJ 104 X (100K)	T	66.7/18.2
R7	7030005310	S.RES ERJ2GEJ 124 X (120K)	T	68/17.7
R8	7030005170	S.RES ERJ2GEJ 474 X (470K)	T	71.3/21.1
R9	7030008280	S.RES ERJ2GEJ 271 X (270)	T	71.3/22.4
R10	7030005120	S.RES ERJ2GEJ 102 X (1K)	T	68.4/24
R11	7030005090	S.RES ERJ2GEJ 104 X (100K)	T	85.5/36.7
R12	7030005530	S.RES ERJ2GEJ 100 X (10)	T	77.5/37.5
R13	7030005090	S.RES ERJ2GEJ 104 X (100K)	T	82.3/35.7
R14	7030005050	S.RES ERJ2GEJ 103 X (10K)	T	83.9/36.7
R15	7030005240	S.RES ERJ2GEJ 473 X (47K)	B	79.1/39
R16	7030004980	S.RES ERJ2GEJ 101 X (100)	B	74.8/39.9
R17	7030004970	S.RES ERJ2GEJ 470 X (47)	B	74/33.3
R18	7030005050	S.RES ERJ2GEJ 103 X (10K)	T	78.8/36.7
R19	7030005080	S.RES ERJ2GEJ 823 X (82K)	T	78.8/38.7
R20	7030005120	S.RES ERJ2GEJ 102 X (1K)	B	75.9/33.6
R21	7030005110	S.RES ERJ2GEJ 224 X (220K)	T	72.2/38.9
R22	7030005050	S.RES ERJ2GEJ 103 X (10K)	T	69.2/38.9
R23	7030005110	S.RES ERJ2GEJ 224 X (220K)	T	71.2/38.9
R24	7030005050	S.RES ERJ2GEJ 103 X (10K)	T	64.6/38
R25	7030007340	S.RES ERJ2GEJ 153 X (15K)	B	68/37.8
R26	7030007340	S.RES ERJ2GEJ 153 X (15K)	B	64.2/38.1
R27	7030005310	S.RES ERJ2GEJ 124 X (120K)	B	62.5/38.1
R28	7030005080	S.RES ERJ2GEJ 823 X (82K)	B	62.5/40.8
R29	7030004980	S.RES ERJ2GEJ 101 X (100)	B	64.2/35.1
R30	7030005000	S.RES ERJ2GEJ 471 X (470)	B	67.7/35.7
R31	7030004980	S.RES ERJ2GEJ 101 X (100)	B	64.2/32.1
R32	7030004980	S.RES ERJ2GEJ 101 X (100)	B	66.1/31.1
R33	7030007270	S.RES ERJ2GEJ 151 X (150)	B	55.5/25.2
R34	7030005110	S.RES ERJ2GEJ 224 X (220K)	B	52.5/25.2
R35	7030004980	S.RES ERJ2GEJ 101 X (100)	B	50.5/25.2
R36	7030007300	S.RES ERJ2GEJ 332 X (3.3K)	T	52.5/15.5
R37	7030009140	S.RES ERJ2GEJ 272 X (2.7K)	T	50.7/16.3
R38	7030005090	S.RES ERJ2GEJ 104 X (100K)	T	46.5/21
R39	7030004970	S.RES ERJ2GEJ 470 X (47)	B	55.8/22.3
R40	7030007270	S.RES ERJ2GEJ 151 X (150)	B	56.2/21.1
R43	7030004970	S.RES ERJ2GEJ 470 X (47)	B	47.5/15.4
R44	7030005090	S.RES ERJ2GEJ 104 X (100K)	B	54.8/15.4
R45	7030005090	S.RES ERJ2GEJ 104 X (100K)	B	52.8/13.7
R46	7030005000	S.RES ERJ2GEJ 471 X (470)	B	53.8/13.7
R48	7030005000	S.RES ERJ2GEJ 471 X (470)	B	51.5/25.2
R50	7030004980	S.RES ERJ2GEJ 101 X (100)	T	66.3/38
R51	7030003670	S.RES ERJ3GEYJ 823 V (82K)	B	96.5/37.3
R52	7030004990	S.RES ERJ2GEJ 221 X (220)	T	93.3/35.9
R53	7030005530	S.RES ERJ2GEJ 100 X (10)	T	80/22.5
R54	7030005060	S.RES ERJ2GEJ 333 X (33K)	T	81.3/21.6
R55	7030005040	S.RES ERJ2GEJ 472 X (4.7K)	T	80/20.9
R56	7030003860	S.RES ERJ3GE JPW V	T	78/22.4
R57	7030004970	S.RES ERJ2GEJ 470 X (47)	T	75.2/23.2
R59	7030005040	S.RES ERJ2GEJ 472 X (4.7K)	T	71.2/24
R61	7030004970	S.RES ERJ2GEJ 470 X (47)	T	71.8/36.3
R62	7030005220	S.RES ERJ2GEJ 223 X (22K)	T	72.1/35
R65	7030004980	S.RES ERJ2GEJ 101 X (100)	T	69.4/34.2
R66	7030007340	S.RES ERJ2GEJ 153 X (15K)	T	67.8/34.2
R67	7030004980	S.RES ERJ2GEJ 101 X (100)	T	67.8/35.1
R68	7030005050	S.RES ERJ2GEJ 103 X (10K)	T	69.4/35.1
R69	7030005040	S.RES ERJ2GEJ 472 X (4.7K)	T	64.1/35.2
R70	7030005530	S.RES ERJ2GEJ 100 X (10)	B	57.6/40.3
R71	7030005070	S.RES ERJ2GEJ 683 X (68K)	T	58.2/38.6
R73	7030004980	S.RES ERJ2GEJ 101 X (100)	B	57.7/30.5
R75	7030005110	S.RES ERJ2GEJ 224 X (220K)	B	58.4/36.1
R76	7030004980	S.RES ERJ2GEJ 101 X (100)	B	57.6/39.3
R77	7030005050	S.RES ERJ2GEJ 103 X (10K)	B	56.7/30.5
R78	7030005090	S.RES ERJ2GEJ 104 X (100K)	T	57.8/33.3
R79	7030006020	S.RES RR0510P-682-D (6.8K)	T	56.5/39.1
R80	7030005000	S.RES ERJ2GEJ 471 X (470)	B	54.6/32.8
R82	7030009320	S.RES ERJ2GEJ 4R7 X (4.7)	T	52.6/32
R83	7030006020	S.RES RR0510P-682-D (6.8K)	T	54.1/32.6
R84	7030006020	S.RES RR0510P-682-D (6.8K)	T	52.1/28.6
R85	7030006020	S.RES RR0510P-682-D (6.8K)	T	54.7/39.1
R86	7030005530	S.RES ERJ2GEJ 100 X (10)	B	48.2/28.8
R87	7030005110	S.RES ERJ2GEJ 224 X (220K)	B	48.1/25.3
R88	7030009280	S.RES ERJ2GEJ 391 X	B	54.6/31
R89	7030005050	S.RES ERJ2GEJ 103 X (10K)	B	49.3/41.2
R90	7030005170	S.RES ERJ2GEJ 474 X (470K)	B	46.9/25.1
R92	7030005310	S.RES ERJ2GEJ 124 X (120K)	B	46.9/26.1
R93	7030005120	S.RES ERJ2GEJ 102 X (1K)	T	39.8/39.4
R94	7030005100	S.RES ERJ2GEJ 154 X (150K)	T	41.8/40.8
R95	7030005120	S.RES ERJ2GEJ 102 X (1K)	B	49.9/36.4
R96	7030008410	S.RES ERJ2GEJ 392 X (3.9K)	B	49.3/40.1

[MAIN-B UNIT] (For F26-L F4018-L)

REF NO.	PARTS NO.	DESCRIPTION	M.	H/V LOCATION
R97	7030005120	S.RES ERJ2GEJ 102 X (1K)	B	49.3/38.1
R98	7030007290	S.RES ERJ2GEJ 222 X (2.2K)	B	53.5/44.1
R100	7030005040	S.RES ERJ2GEJ 472 X (4.7K)	T	52.9/38.8
R101	7030005000	S.RES ERJ2GEJ 471 X (470)	B	51.4/43.3
R103	7030005240	S.RES ERJ2GEJ 473 X (47K)	T	33.1/27.8
R104	7030005230	S.RES ERJ2GEJ 334 X (330K)	T	31.5/26.9
R105	7030005170	S.RES ERJ2GEJ 474 X (470K)	T	32.6/29.1
R106	7030005050	S.RES ERJ2GEJ 103 X (10K)	T	37.5/32
R107	7030005580	S.RES ERJ2GEJ 560 X (56)	B	55.9/43.3
R108	7030005060	S.RES ERJ2GEJ 333 X (33K)	T	44.9/21
R109	7030005100	S.RES ERJ2GEJ 154 X (150K)	T	43.9/21
R110	7030005240	S.RES ERJ2GEJ 473 X (47K)	B	21.8/34.3
R111	7030005090	S.RES ERJ2GEJ 104 X (100K)	T	27.1/28.7
R113	7030006610	S.RES ERJ2GEJ 394 X (390K)	B	46.9/31.1
R114	7030005110	S.RES ERJ2GEJ 224 X (220K)	B	46.9/29.1
R115	7030007570	S.RES ERJ2GEJ 122 X (1.2K)	T	40.5/32
R116	7030007060	S.RES ERJ2GEJ 684X (680K)	T	43.4/32.7
R117	7030005040	S.RES ERJ2GEJ 472 X (4.7K)	T	35.3/40.1
R118	7030005040	S.RES ERJ2GEJ 472 X (4.7K)	T	37.2/40.1
R123	7030008400	S.RES ERJ2GEJ 182 X (1.8K)	T	75.2/37.7
R124	7030005170	S.RES ERJ2GEJ 474 X (470K)	T	72.7/40.4
R125	7030005110	S.RES ERJ2GEJ 224 X (220K)	T	73.2/38.9
R131	7510001730	S.THE ERTJOEP 473J	T	40.9/28.1
R132	7030010080	S.RES ERJ2RHD 104 X (100K)	T	40.9/27.1
R133	7030005050	S.RES ERJ2GEJ 103 X (10K)	T	84.1/14.2
R134	7030007290	S.RES ERJ2GEJ 222 X (2.2K)	T	74/14.3
R135	7030005050	S.RES ERJ2GEJ 103 X (10K)	T	24.5/24
R136	7030005040	S.RES ERJ2GEJ 472 X (4.7K)	T	22.8/24
R137	7030005050	S.RES ERJ2GEJ 103 X (10K)	T	69.8/14.7
R138	7030005040	S.RES ERJ2GEJ 472 X (4.7K)	T	69.8/16.7
R141	7030005000	S.RES ERJ2GEJ 471 X (470)	T	37/9.9
R142	7030005000	S.RES ERJ2GEJ 471 X (470)	T	43/9.9
R143	7030007340	S.RES ERJ2GEJ 153 X (15K)	T	37.2/24.4
R144	7030005050	S.RES ERJ2GEJ 103 X (10K)	B	46.5/10.7
R145	7030005090	S.RES ERJ2GEJ 104 X (100K)	T	33.4/18.1
R146	7030005090	S.RES ERJ2GEJ 104 X (100K)	T	31.6/18.1
R147	7030007350	S.RES ERJ2GEJ 393 X (39K)	T	33.4/16.4
R148	7030005080	S.RES ERJ2GEJ 823 X (82K)	T	31.6/16.1
R149	7030006610	S.RES ERJ2GEJ 394 X (390K)	T	33.4/12.9
R150	7030008300	S.RES ERJ2GEJ 184 X (180K)	T	33.4/11.9
R151	7030005030	S.RES ERJ2GEJ 152 X (1.5K)	T	33.4/13.9
R152	7030005220	S.RES ERJ2GEJ 223 X (22K)	T	31.1/29.6
R153	7030005220	S.RES ERJ2GEJ 223 X (22K)	T	29.9/29.1
R154	7030005220	S.RES ERJ2GEJ 223 X (22K)	T	28.2/30.1
R155	7030005090	S.RES ERJ2GEJ 104 X (100K)	T	29.8/41.1
R156	7030005170	S.RES ERJ2GEJ 474 X (470K)	T	29.8/40.1
R157	7030007290	S.RES ERJ2GEJ 222 X (2.2K)	T	31.5/39.1
R159	7030008010	S.RES ERJ2GEJ 123 X (12K)	T	15.7/28.8
R160	7030004980	S.RES ERJ2GEJ 101 X (100)	B	5.5/31
R161	7030005040	S.RES ERJ2GEJ 472 X (4.7K)	T	12.9/27.3
R162	7030005050	S.RES ERJ2GEJ 103 X (10K)	T	8.7/29.1
R163	7030005050	S.RES ERJ2GEJ 103 X (10K)	T	14.1/29.8
R164	7030008410	S.RES ERJ2GEJ 392 X (3.9K)	T	15.7/27.8
R165	7030008410	S.RES ERJ2GEJ 392 X (3.9K)	T	12.6/31.9
R166	7030005240	S.RES ERJ2GEJ 473 X (47K)	T	12.6/36.1
R167	7030009290	S.RES ERJ2GEJ 562 X (5.6K)	T	15.7/29.8
R168	7030005000	S.RES ERJ2GEJ 471 X (470)	T	16.3/40.1
R169	7030005100	S.RES ERJ2GEJ 154 X (150K)	T	18/41.1
R170	7030008010	S.RES ERJ2GEJ 123 X (12K)	T	12.9/29.3
R171	7030005100	S.RES ERJ2GEJ 154 X (150K)	T	11.6/36.1
R172	7030005110	S.RES ERJ2GEJ 224 X (220K)	T	18/39.1
R173	7030005310	S.RES ERJ2GEJ 124 X (120K)	T	19.4/26.8
R174	7030005090	S.RES ERJ2GEJ 104 X (100K)	T	19.4/28.8
R175	7030008300	S.RES ERJ2GEJ 184 X (180K)	T	19.4/27.8
R176	7030005100	S.RES ERJ2GEJ 154 X (150K)	T	17.7/27.8
R177	7030005060	S.RES ERJ2GEJ 333 X (33K)	T	17.7/28.8
R178	7030005710	S.RES ERJ2GEJ 121 X (120)	T	19.4/30.7
R179	7030005120	S.RES ERJ2GEJ 102 X (1K)	B	11.5/16.8
R180	7030005160	S.RES ERJ2GEJ 105 X (1M)	T	24.7/40.1
R181	7030005240	S.RES ERJ2GEJ 473 X (47K)	T	21.1/40.1
R182	7030005090	S.RES ERJ2GEJ 104 X (100K)	T	24.7/39.1
R183	7030006020	S.RES RR0510P-682-D (6.8K)	B	17.2/39.1
R184	7030008250	S.RES RR0510P-562-D (5.6K)	B	17.7/40.4
R186	7030005080	S.RES ERJ2GEJ 823 X (82K)	T	19.4/29.8
R187	7030005120	S.RES ERJ2GEJ 102 X (1K)	B	9/18.2
R190	7030007280	S.RES ERJ2GEJ 331 X (330)	T	34.7/18.9
R191	7030008300	S.RES ERJ2GEJ 184 X (180K)	T	18/41.1
R192	7030005720	S.RES ERJ2GEJ 563 X (56K)	T	18/5.1
R193	7030005220	S.RES ERJ2GEJ 223 X (22K)	T	18/6.1
R194	7030005220	S.RES ERJ2GEJ 223 X (22K)	T	23.9/10.9
R195	7030			

[MAIN-B UNIT] (For F26-L F4018-L)

REF NO.	PARTS NO.	DESCRIPTION	M.	H/V LOCATION
R228	7030005120	S.RES ERJ2GEJ 102 X (1K)	T	94.2/15.2
R229	7030005530	S.RES ERJ2GEJ 100 X (10)	T	86/9.7
R230	7030005530	S.RES ERJ2GEJ 100 X (10)	T	87.2/17.2
R231	7030005120	S.RES ERJ2GEJ 102 X (1K)	T	90.6/2.8
R232	7030007300	S.RES ERJ2GEJ 332 X (3.3K)	T	93.2/4.4
R233	7030007300	S.RES ERJ2GEJ 332 X (3.3K)	T	92.7/2.8
R234	7030005100	S.RES ERJ2GEJ 154 X (150K)	B	23.3/6.2
R235	7030005090	S.RES ERJ2GEJ 104 X (100K)	B	20.3/4.2
R236	7030005230	S.RES ERJ2GEJ 334 X (330K)	B	23.3/5.2
R237	7030005050	S.RES ERJ2GEJ 103 X (10K)	T	21.1/39.1
R238	7410001140	S.ARR EXB28V104JX	B	40.9/9.5
R240	7030005590	S.RES ERJ2GEJ 680 X (68)	T	99.7/12.9
R251	7030008010	S.RES ERJ2GEJ 123 X (12K)	B	5.9/9.1
R252	7030005530	S.RES ERJ2GEJ 100 X (10)	B	13.7/9.1
R254	7030008010	S.RES ERJ2GEJ 123 X (12K)	B	9.3/10.1
R255	7030008010	S.RES ERJ2GEJ 123 X (12K)	B	7.6/10.1
R256	7030005050	S.RES ERJ2GEJ 103 X (10K)	T	6/8.6
R257	7030005120	S.RES ERJ2GEJ 102 X (1K)	T	9/22.1
R258	7410001140	S.ARR EXB28V104JX	T	6.6/20.6
R259	7030005120	S.RES ERJ2GEJ 102 X (1K)	T	21.6/22.1
R260	7030005090	S.RES ERJ2GEJ 104 X (100K)	T	21.5/25
R261	7410001130	S.ARR EXB28V102JX	T	19.4/19.9
R262	7030005090	S.RES ERJ2GEJ 104 X (100K)	T	21.3/13.9
R263	7030005050	S.RES ERJ2GEJ 103 X (10K)	T	21.3/12.9
R264	7030005240	S.RES ERJ2GEJ 473 X (47K)	T	21.3/10.9
R265	7410001130	S.ARR EXB28V102JX	T	19.7/9.2
R266	7030007340	S.RES ERJ2GEJ 153 X (15K)	T	5.7/18.8
R271	7030005160	S.RES ERJ2GEJ 105 X (1M)	B	10/39.3
R272	7030005160	S.RES ERJ2GEJ 105 X (1M)	B	11/39.3
R273	7030005160	S.RES ERJ2GEJ 105 X (1M)	B	12/39.3
R274	7030005070	S.RES ERJ2GEJ 683 X (68K)	B	15/39.3
R275	7030005090	S.RES ERJ2GEJ 104 X (100K)	B	13/39.3
R276	7030005090	S.RES ERJ2GEJ 104 X (100K)	B	8/39.3
R277	7030005090	S.RES ERJ2GEJ 104 X (100K)	B	9/39.3
R278	7030005090	S.RES ERJ2GEJ 104 X (100K)	B	14/39.3
R280	7030005050	S.RES ERJ2GEJ 103 X (10K)	B	16.2/36.2
R284	7030004980	S.RES ERJ2GEJ 101 X (100)	B	16.3/27
R287	7030007280	S.RES ERJ2GEJ 331 X (330)	T	18.4/24
R288	7030005030	S.RES ERJ2GEJ 152 X (1.5K)	B	14.7/22.7
R291	7030005090	S.RES ERJ2GEJ 104 X (100K)	B	5.9/12.5
R292	7030005090	S.RES ERJ2GEJ 104 X (100K)	B	7.6/12.5
R293	7030008290	S.RES ERJ2GEJ 183 X (18K)	T	61.4/43.4
R294	7030005600	S.RES ERJ2GEJ 273 X (27K)	T	60.4/43.4
R295	7030005240	S.RES ERJ2GEJ 473 X (47K)	B	95.1/43.4
R296	7030003490	S.RES ERJ3GEVJ 272 V (2.7K)	B	91.8/35.3
R297	7030005120	S.RES ERJ2GEJ 102 X (1K)	T	91.3/36.2
R301	7030010040	S.RES ERJ2GEJ-JPW	B	93.1/22.4
R302	7030004990	S.RES ERJ2GEJ 221 X (22K)	T	93.3/34.9
R303	7030005040	S.RES ERJ2GEJ 472 X (4.7K)	T	32.8/20.3
R304	7030005090	S.RES ERJ2GEJ 104 X (100K)	T	33.6/21.8
C1	4030017620	S.CER ECJ0EC1H100C	B	94.2/41.5
C2	4030017370	S.CER ECJ0EC1H3R5B	B	93.2/36
C3	4030017620	S.CER ECJ0EC1H100C	B	96.5/33.9
C4	4030017570	S.CER ECJ0EC1H040B	B	94.9/33.9
C5	4030017580	S.CER ECJ0EC1H060C	B	94.6/30.2
C6	4030017460	S.CER ECJ0EB1E102K	B	92.8/33.4
C7	4030017460	S.CER ECJ0EB1E102K	B	92.9/29.6
C8	4030017380	S.CER ECJ0EC1H050B	B	93.2/28.1
C11	4030009990	S.CER C1608 CH 1H 200J-T	B	91.5/21.9
C13	4030009650	S.CER C1608 CH 1H 240J-T	B	88.3/20.8
C14	4030017570	S.CER ECJ0EC1H040B	B	86.8/38.7
C16	4030008560	S.CER C1608 CH 1H 300J-T	B	86.4/21.5
C17	4030017510	S.CER ECJ0EC1H680J	B	83.4/38.7
C19	4030017620	S.CER ECJ0EC1H100C	B	86/37.7
C20	4030017590	S.CER ECJ0EC1H070C	B	84.1/37.7
C21	4030017660	S.CER ECJ0EC1H330J	B	85.8/34.3
C22	4030017600	S.CER ECJ0EC1H080C	B	84.1/36.7
C23	4030017560	S.CER ECJ0EC1H2R5B	B	82/37.7
C24	4030017660	S.CER ECJ0EC1H330J	B	79.7/33.2
C25	4030017610	S.CER ECJ0EC1H090C	B	80.4/36.1
C27	4030017460	S.CER ECJ0EB1E102K	T	83.9/35.7
C28	4030017460	S.CER ECJ0EB1E102K	T	83.9/37.7
C30	4030017590	S.CER ECJ0EC1H070C	B	79.6/37.8
C31	4030017460	S.CER ECJ0EB1E102K	T	80.4/37.2
C32	4030017460	S.CER ECJ0EB1E102K	B	75.8/39.9
C33	4030017460	S.CER ECJ0EB1E102K	T	77.1/38.7
C34	4030017420	S.CER ECJ0EC1H470J	T	77.1/39.7
C35	4030016930	S.CER ECJ0EB1A104K	T	78.8/37.7
C36	4030017460	S.CER ECJ0EB1E102K	B	71.8/33.3
C37	4030017460	S.CER ECJ0EB1E102K	B	73.4/34.2
C38	4030017570	S.CER ECJ0EC1H040B	B	74.8/37.7
C39	4030017630	S.CER ECJ0EC1H120J	B	73.5/38.8
C40	4030017520	S.CER ECJ0EC1H0R3B	B	73.5/39.8
C41	4030017380	S.CER ECJ0EC1H050B	B	68.5/39.2
C42	4030017460	S.CER ECJ0EB1E102K	T	68.5/37.7
C43	4030017460	S.CER ECJ0EB1E102K	T	70.2/38.9
C44	4030017350	S.CER ECJ0EC1H020B	B	69/37.8
C45	4030017630	S.CER ECJ0EC1H120J	B	72.2/38.8
C46	4030017460	S.CER ECJ0EB1E102K	T	68.2/38.9
C48	4030017400	S.CER ECJ0EC1H220J	B	64.2/37.2
C49	4030017380	S.CER ECJ0EC1H050B	B	64.2/39.9
C50	4030017460	S.CER ECJ0EB1E102K	B	64.2/36.1
C51	4030017460	S.CER ECJ0EB1E102K	B	66.1/32.1
C52	4030017620	S.CER ECJ0EC1H100C	B	66.1/35.7
C53	4030016790	S.CER ECJ0EB1C103K	B	64.2/33.1
C54	4030017460	S.CER ECJ0EB1E102K	B	64.2/34.1
C56	4030017400	S.CER ECJ0EC1H220J	B	64.3/23.8
C57	4030017460	S.CER ECJ0EB1E102K	T	64.1/36.8
C58	4030017460	S.CER ECJ0EB1E102K	B	53.9/24.3
C59	4030017460	S.CER ECJ0EB1E102K	B	49.5/25.2
C60	4030017460	S.CER ECJ0EB1E102K	B	52.5/26.9
C61	4030017430	S.CER ECJ0EC1H101J	B	49.5/22.7

[MAIN-B UNIT] (For F26-L F4018-L)

REF NO.	PARTS NO.	DESCRIPTION	M.	H/V LOCATION
C62	4030017510	S.CER ECJ0EC1H680J	B	47.5/17.6
C63	4030017420	S.CER ECJ0EC1H470J	B	46.5/20.7
C64	4030016790	S.CER ECJ0EB1C103K	T	49.7/16.3
C65	4030017460	S.CER ECJ0EB1E102K	B	46.5/18.9
C66	4030017460	S.CER ECJ0EB1E102K	B	47.5/13.7
C67	4030017460	S.CER ECJ0EB1E102K	B	53.4/22.6
C68	4030017440	S.CER ECJ0EC1H221J	B	51.8/13.7
C69	4030017730	S.CER ECJ0EB1E471K	B	53.8/15.4
C70	4030017730	S.CER ECJ0EB1E471K	B	54.8/13.7
C71	4030016930	S.CER ECJ0EB1A104K	B	56.2/17.5
C72	4030017420	S.CER ECJ0EC1H470J	T	69.8/18.7
C73	4030017460	S.CER ECJ0EB1E102K	T	69.3/24
C74	4030017460	S.CER ECJ0EB1E102K	T	93.3/37
C75	4550005980	S.TAN TEESVA 1A 475M8R	B	53.8/11.1
C76	4030016790	S.CER ECJ0EB1C103K	T	66.7/21.4
C77	4030017460	S.CER ECJ0EB1E102K	T	65.7/22.7
C78	4030017460	S.CER ECJ0EB1E102K	T	74.8/20.8
C79	4030018890	S.CER ECJ0EB0J224K	T	72.3/21.1
C80	4030017780	S.CER ECJ0EB1E472K	T	68/18.7
C81	4030016790	S.CER ECJ0EB1C103K	B	77.2/21.5
C82	4030017460	S.CER ECJ0EB1E102K	B	78.2/21.5
C84	4030017420	S.CER ECJ0EC1H470J	T	81.3/20.5
C86	4030017500	S.CER ECJ0EC1H560J	T	78.7/24.3
C88	4030017460	S.CER ECJ0EB1E102K	T	73.1/24
C89	4030017570	S.CER ECJ0EC1H040B	T	75.5/24.4
C91	4510009280	S.ELLE EEE1EA4R7SR	B	69.7/20.3
C92	4030017660	S.CER ECJ0EC1H330J	T	74.6/30.9
C93	4030017380	S.CER ECJ0EC1H050B	T	70.9/33.5
C94	4030017730	S.CER ECJ0EB1E471K	T	70.3/24
C97	4030017420	S.CER ECJ0EC1H470J	T	74.8/36
C98	4030017380	S.CER ECJ0EC1H050B	T	66.1/33.9
C99	4030017460	S.CER ECJ0EB1E102K	T	68.3/36.3
C100	4030017620	S.CER ECJ0EC1H100C	B	61.3/36.1
C102	4030017380	S.CER ECJ0EC1H050B	T	59.5/34.3
C103	4030017350	S.CER ECJ0EC1H020B	B	58.2/35.1
C104	4030017460	S.CER ECJ0EB1E102K	T	58.9/29.4
C105	4030017460	S.CER ECJ0EB1E102K	B	58.6/37.1
C106	4030017420	S.CER ECJ0EC1H470J	B	70.2/33.9
C107	4030017460	S.CER ECJ0EB1E102K	T	70.6/36.3
C108	4030016790	S.CER ECJ0EB1C103K	T	69.7/36.3
C109	4030017460	S.CER ECJ0EB1E102K	B	57.6/41.3
C110	4030017730	S.CER ECJ0EB1E471K	B	55.7/30.5
C111	4030017420	S.CER ECJ0EC1H470J	B	56.3/34.4
C112	4030017460	S.CER ECJ0EB1E102K	T	60.2/38.6
C113	4030017520	S.CER ECJ0EC1H0R3B	T	56.1/32.6
C114	4030017630	S.CER ECJ0EC1H120J	T	51.9/36.5
C115	4030017630	S.CER ECJ0EC1H120J	T	55.7/35.7
C116	4030016790	S.CER ECJ0EB1C103K	T	56.5/37.9
C117	4030017730	S.CER ECJ0EB1E471K	T	56.5/36.9
C118	4030017530	S.CER ECJ0EC1H0R5B	T	56.1/33.9
C119	4030017460	S.CER ECJ0EB1E102K	T	56.6/31.6
C120	4030017730	S.CER ECJ0EB1E471K	T	57.5/28.7
C121	4030017640	S.CER ECJ0EC1H150J	T	52.6/30
C122	4030017640	S.CER ECJ0EC1H150J	T	53.1/28.6
C123	4030017650	S.CER ECJ0EC1H270J	T	52.6/31
C124	4030017620	S.CER ECJ0EC1H100C	T	51.1/29
C126	4030017390	S.CER ECJ0EC1H180J	T	51.9/37.7
C127	4030017620	S.CER ECJ0EC1H100C	T	50.5/37.5
C129	4030017530	S.CER ECJ0EC1H0R5B	T	48.4/31.4
C130	4030016950	S.CER ECJ0EB1A473K	B	49.3/39.1
C132	4030017460	S.CER ECJ0EB1E102K	B	46.9/27.1
C133	4030017400	S.CER ECJ0EC1H220J	T	51.1/31
C134	4030017410	S.CER ECJ0EC1H240J	T	50.6/36.3
C135	4030017460	S.CER ECJ0EB1E102K	T	48.4/34.4
C136	4030016930	S.CER ECJ0EB1A104K	T	48.4/35.4
C137	4030016790	S.CER ECJ0EB1C103K	T	57.7/44.1
C138	4030017460	S.CER ECJ0EB1E102K	B	49.6/28.4
C139	4030016930	S.CER ECJ0EB1A104K	B	56.7/28.9
C140	4030016930	S.CER ECJ0EB1A104K	T	43.4/34.7
C141	4030017460	S.CER ECJ0EB1E102K	B	50.1/42.4
C142	4030017460	S.CER ECJ0EB1E102K	T	42.9/21
C143	4030017460	S.CER ECJ0EB1E102K	B	52/42.3
C144	4030017420	S.CER ECJ0EC1H470J	B	49.6/29.3
C145	4030017420	S.CER ECJ0EC1H470J	B	47.1/23.9
C146	4550000270	S.TAN TEESVA 1E 474M8R	B	52.6/32.7
C147	4550000460	S.TAN TEESVA 1C 105M8R	B	47.5/41.4
C148	4550006250	S.TAN TEESVA 1A 106M8R	T	50.1/44.1
C149	4030017460	S.CER ECJ0EB1E102K	T	43.8/39.1
C150	4030018860	S.CER ECJ0EB0J105K	T	43.9/22.7
C151	4030016930	S.CER ECJ0EB1A104K	T	40.2/40.8
C152	4030017420	S.CER ECJ0EC1H470J	T	35.3/41.1
C153	4030017420	S.CER ECJ0EC1H470J	T	37.2/41.1
C154	4030017420	S.CER ECJ0EC1H470J	T	38/39.1
C155	4030017420	S.CER ECJ0EC1H470J	T	43.8/38.1
C156	4030017460	S.CER ECJ0EB1E102K	T	39.5/32
C157	4030017620	S.CER ECJ0EC1H100C	T	38.5/32
C158	4030016930	S.CER ECJ0EB1A104		

[MAIN-B UNIT] (For F26-L F4018-L)

REF NO.	PARTS NO.	DESCRIPTION	M.	H/V LOCATION
C178	4030017420	S.CER ECJ0EC1H470J	T	77.7/21.3
C180	4030017420	S.CER ECJ0EC1H470J	T	67.1/32.3
C182	4030017600	S.CER ECJ0EC1H080C	T	68.8/31.6
C183	4030017420	S.CER ECJ0EC1H470J	T	74.1/24
C185	4030017530	S.CER ECJ0EC1H0R5B	B	90.7/35.7
C186	4030017530	S.CER ECJ0EC1H0R5B	B	92.1/38.7
C188	4030017460	S.CER ECJ0EB1E102K	B	47.5/20.7
C196	4030017420	S.CER ECJ0EC1H470J	B	62.5/39
C197	4030017460	S.CER ECJ0EB1E102K	B	62.5/39.9
C202	4030016930	S.CER ECJ0EB1A104K	T	48.4/33.4
C203	4030017460	S.CER ECJ0EB1E102K	B	46.9/30.1
C205	4030017380	S.CER ECJ0EC1H050B	B	56.3/39.7
C206	4030017600	S.CER ECJ0EC1H080C	B	55.9/41.3
C208	4030017600	S.CER ECJ0EC1H080C	B	54.2/42.3
C209	4030017460	S.CER ECJ0EB1E102K	B	54.2/43.3
C211	4030018910	S.CER C1608 JB 0J 475K-T	T	36.1/21.9
C213	4030017460	S.CER ECJ0EB1E102K	T	31.5/27.8
C221	4030016930	S.CER ECJ0EB1A104K	T	32.3/31.6
C222	4030016930	S.CER ECJ0EB1A104K	T	19.2/34
C223	4030016930	S.CER ECJ0EB1A104K	B	29.7/9
C224	4030016930	S.CER ECJ0EB1A104K	T	40.9/29.1
C225	4030017460	S.CER ECJ0EB1E102K	B	83/11.6
C226	4550005980	S.TAN TEESVA 1A 475M8R	B	81.2/13.5
C227	4030016790	S.CER ECJ0EB1C103K	B	86.9/13
C228	4510008540	S.ELE EEE1CA100SR	B	89.4/15.7
C229	4030017460	S.CER ECJ0EB1E102K	B	85.8/17.8
C230	4030016930	S.CER ECJ0EB1A104K	B	85.8/16.8
C231	4030016790	S.CER ECJ0EB1C103K	T	74/13.3
C232	4030017730	S.CER ECJ0EB1E471K	T	76.2/13.3
C233	4030016790	S.CER ECJ0EB1C103K	T	24.5/23
C234	4030017460	S.CER ECJ0EB1E102K	T	24.2/27.8
C235	4030016790	S.CER ECJ0EB1C103K	T	69.8/15.7
C236	4030017460	S.CER ECJ0EB1E102K	T	69.8/17.7
C237	4510008660	S.ELE EEE0JA220SR	B	76/15.5
C238	4030017460	S.CER ECJ0EB1E102K	B	77/18.4
C241	4030016930	S.CER ECJ0EB1A104K	T	35.4/9.9
C242	4030016930	S.CER ECJ0EB1A104K	T	44.7/9.9
C243	4030016790	S.CER ECJ0EB1C103K	T	40.5/9.9
C244	4030016930	S.CER ECJ0EB1A104K	B	46.5/15.4
C251	4030016970	S.CER ECJ0EB1C223K	T	33.4/17.1
C252	4030017740	S.CER ECJ0EB1E821K	T	29.9/16.1
C253	4030017740	S.CER ECJ0EB1E821K	T	33.4/14.9
C254	4030016930	S.CER ECJ0EB1A104K	T	33.4/10.9
C255	4030016950	S.CER ECJ0EB1A473K	B	34.5/12.1
C256	4030016940	S.CER ECJ0EB1A393K	T	29.9/28.1
C257	4030016930	S.CER ECJ0EB1A104K	T	29.9/30.1
C258	4030017790	S.CER ECJ0EB1E682K	T	26.6/30.1
C259	4030018860	S.CER ECJ0EB0J105K	T	31.5/41.1
C260	4030017730	S.CER ECJ0EB1E471K	T	29.8/39.1
C261	4030016930	S.CER ECJ0EB1A104K	T	31.5/40.1
C264	4510008540	S.ELE EEE1CA100SR	B	69.7/15.5
C265	4030017460	S.CER ECJ0EB1E102K	B	64.4/12.3
C266	4030016930	S.CER ECJ0EB1A104K	B	63/8.5
C269	4030017720	S.CER ECJ0EB1H331K	T	11.6/37.9
C270	4030016950	S.CER ECJ0EB1A473K	T	14.1/28.8
C271	4030016950	S.CER ECJ0EB1A473K	T	14.1/26.8
C272	4030016950	S.CER ECJ0EB1A473K	T	10.6/28.5
C273	4030016950	S.CER ECJ0EB1A473K	T	14.1/27.8
C274	4030016950	S.CER ECJ0EB1A473K	T	11.6/31.9
C275	4030016970	S.CER ECJ0EB1C223K	T	11.6/34.4
C276	4030016950	S.CER ECJ0EB1A473K	T	12.6/34.4
C277	4030016930	S.CER ECJ0EB1A104K	T	14.6/40.1
C278	4030017430	S.CER ECJ0EC1H101J	T	18/40.1
C279	4030018910	S.CER C1608 JB 0J 475K-T	T	36.9/23.2
C280	4030017780	S.CER ECJ0EB1E472K	T	21.3/27.8
C281	4030018920	S.CER ECJ0EB1H392K	T	17.7/26.8
C282	4030017710	S.CER ECJ0EC1H181J	T	17.7/29.8
C283	4030018900	S.CER ECJ0EB0J474K	T	19.4/31.7
C284	4030016930	S.CER ECJ0EB1A104K	T	22.9/39.1
C285	4030016930	S.CER ECJ0EB1A104K	T	22.9/40.1
C286	4030017460	S.CER ECJ0EB1E102K	B	16.7/40.4
C287	4550006250	S.TAN TEESVA 1A 106M8R	B	21.8/40.7
C288	4030017460	S.CER ECJ0EB1E102K	B	17.2/38.1
C289	4030016930	S.CER ECJ0EB1A104K	B	20.2/31
C290	4030016930	S.CER ECJ0EB1A104K	T	27.5/16.2
C291	4030016780	S.CER ECJ0EB1C153K	T	25.7/10.9
C292	4030016930	S.CER ECJ0EB1A104K	T	25.7/13.9
C293	4030017740	S.CER ECJ0EB1E821K	T	25.7/11.9
C295	4030018110	S.CER ECJ0EB1H272K	T	29.1/5.1
C296	4030018240	S.CER ECJ0EB1E562K	T	29.1/6.1
C297	4030017710	S.CER ECJ0EC1H181J	T	27.1/7.1
C298	4030018090	S.CER ECJ0EB1C822K	T	31/7.1
C299	4030017510	S.CER ECJ0EC1H680J	T	31/5.1
C300	4030017440	S.CER ECJ0EC1H221J	B	19.8/38.2
C302	4030017620	S.CER ECJ0EC1H100C	T	66/39.3
C303	4030017460	S.CER ECJ0EB1E102K	T	65/39.3
C304	4030017580	S.CER ECJ0EC1H060C	B	68.5/40.2
C305	4030017590	S.CER ECJ0EC1H070C	B	64.2/40.8
C306	4030017460	S.CER ECJ0EB1E102K	B	61/12.3
C307	4030017460	S.CER ECJ0EB1E102K	B	59.3/12.3
C308	4030017460	S.CER ECJ0EB1E102K	B	75.7/9.8
C309	4030017460	S.CER ECJ0EB1E102K	B	75.5/11.3
C310	4030016930	S.CER ECJ0EB1A104K	T	21.3/11.9
C311	4030017460	S.CER ECJ0EB1E102K	B	64.9/8.5
C312	4030017420	S.CER ECJ0EC1H470J	B	75/6.1
C313	4030017420	S.CER ECJ0EC1H470J	B	32.9/7.1
C314	4030017460	S.CER ECJ0EB1E102K	T	86.6/3.3
C315	4030017460	S.CER ECJ0EB1E102K	T	93.2/6
C316	4030016930	S.CER ECJ0EB1A104K	T	91.7/2.8
C317	4510008540	S.ELE EEE1CA100SR	B	95.9/15.2
C318	4030016930	S.CER ECJ0EB1A104K	T	89.7/8.9
C319	4030016930	S.CER ECJ0EB1A104K	T	89.6/2.8
C320	4030017730	S.CER ECJ0EB1E471K	T	88.6/2.8
C321	4030017460	S.CER ECJ0EB1E102K	B	19.3/4.2

[MAIN-B UNIT] (For F26-L F4018-L)

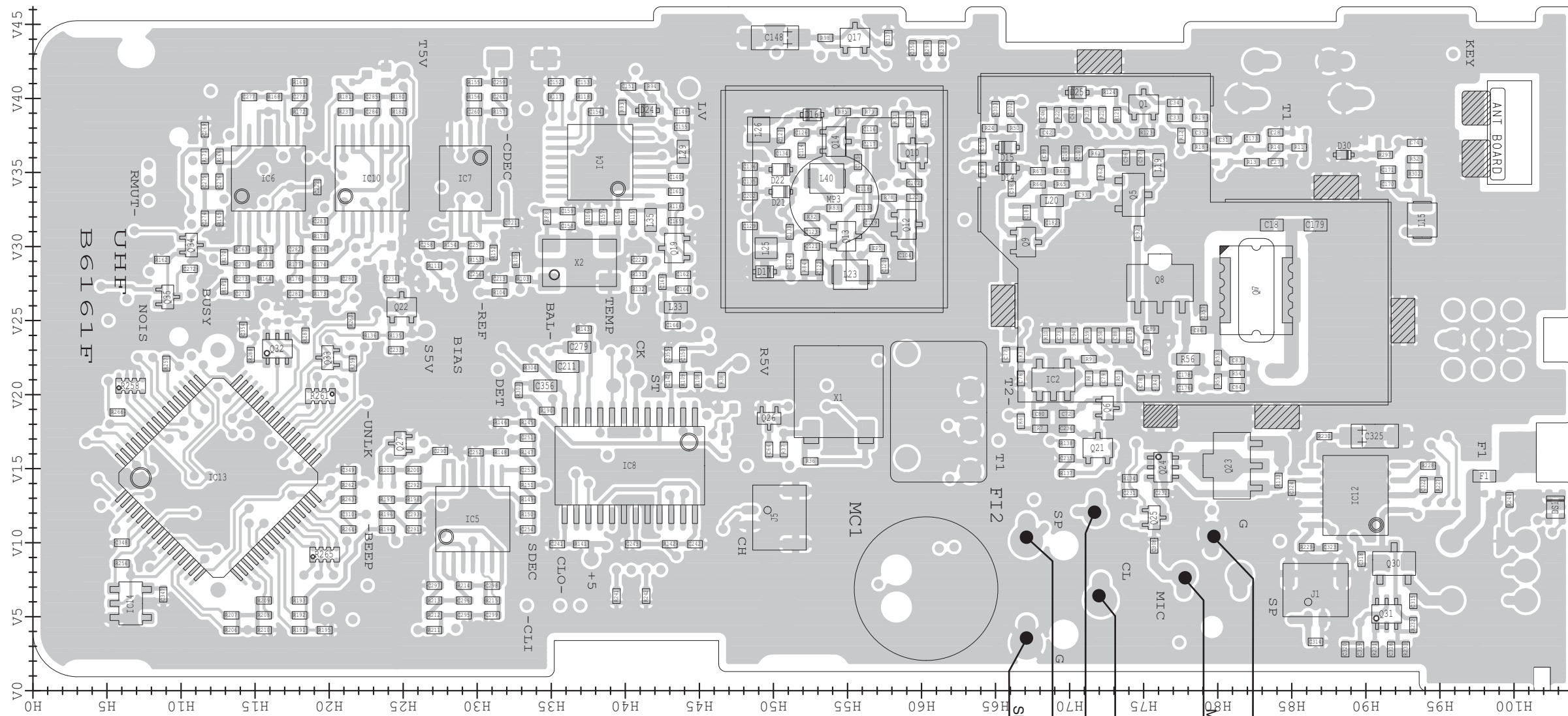
REF NO.	PARTS NO.	DESCRIPTION	M.	H/V LOCATION
C322	4030016950	S.CER ECJ0EB1A473K	T	93.9/13.9
C323	4030016950	S.CER ECJ0EB1A473K	T	87.6/9.7
C324	4030017420	S.CER ECJ0EC1H470J	T	85/13.7
C325	4550006250	S.TAN TEESVA 1A 106M8R	T	90.6/17.2
C326	4510008900	S.ELE EEEFC0J101P	B	87.8/8.9
C333	4030017420	S.CER ECJ0EC1H470J	B	76.8/39.9
C335	4030018860	S.CER ECJ0EB0J105K	B	54.6/22.6
C339	4030016930	S.CER ECJ0EB1A104K	B	5.9/17.2
C340	4030016930	S.CER ECJ0EB1A104K	B	9.3/12.5
C341	4030016930	S.CER ECJ0EB1A104K	B	5.9/10.1
C342	4030017630	S.CER ECJ0EC1H120J	B	18.3/4.2
C343	4030017580	S.CER ECJ0EC1H060C	B	5.6/4.2
C344	4030017640	S.CER ECJ0EC1H150J	B	7.6/9.1
C345	4030016930	S.CER ECJ0EB1A104K	B	11/11.2
C346	4030016930	S.CER ECJ0EB1A104K	B	11/10.1
C347	4030016790	S.CER ECJ0EB1C103K	T	8.8/6.5
C348	4030016930	S.CER ECJ0EB1A104K	T	6/10
C349	4030016930	S.CER ECJ0EB1A104K	T	21.3/14.9
C350	4030017460	S.CER ECJ0EB1E102K	T	59.4/43.4
C354	4030017460	S.CER ECJ0EB1E102K	T	14.2/24.4
C355	4030018080	S.CER ECJ0EB1H182K	T	42.9/22.7
C356	4030018910	S.CER C1608 JB 0J 475K-T	T	34.6/20.6
J1	6510021901	S.CON BM02B-ASRS-TF(LF)(SN)	T	86.6/6.8
J2	6450001680	CON HSJ1122-010010		
J3	6450002250	CON HSJ1456-010320		
J4	6510018430	S.CON AXN330C038P	B	11.8/30.6
F1	5210000830	S.FUS ERBFE3R00U	T	98/14.5
DS1	5040002670	S.LED CL-165HR/YG	T	102.8/12.4
MC1	7700002750	MIC EM9745P-38-G <HOR>		
S1	2260001900	SWI SW-149 (SKHLLD)		
S2	2260002800	S.SWI SW-167 (SKQTLAE010)	B	99.4/44.2
S3	2260002800	S.SWI SW-167 (SKQTLAE010)	B	60.9/44.2
S4	2250000490	ENC TP70TF5163-15.9F-2775		
EP1	6910015370	S.BEA ACZ1005Y-102-T	T	57/29.9
EP3	6910015370	S.BEA ACZ1005Y-102-T	T	34.7/32
MP1	8410002531	S.HEA 2681 PA HEATSINK-1	B	79/28.2
MP2	8510016460	COV 2775 VCO COVER		
MP3	8510016470	S.CAS 2775 VCO CASE	T	54.1/33.2

M.=Mounted side (T: Mounted on the Top side, B: Mounted on the Bottom side)  
S.=Surface mount

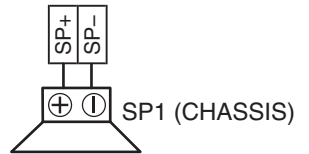


# BOARD LAYOUTS

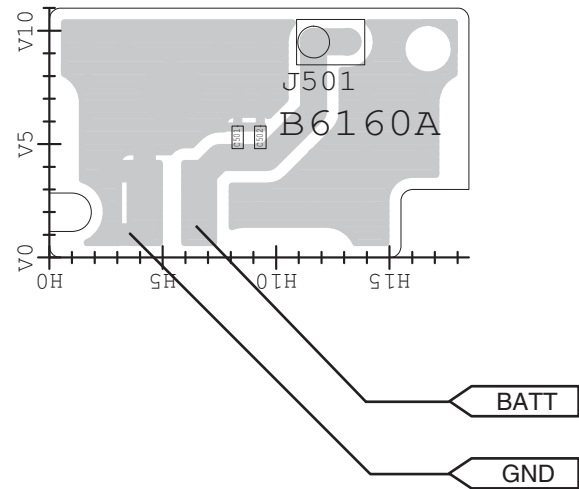
## • MAIN/MAIN-B UNIT (TOP VIEW)



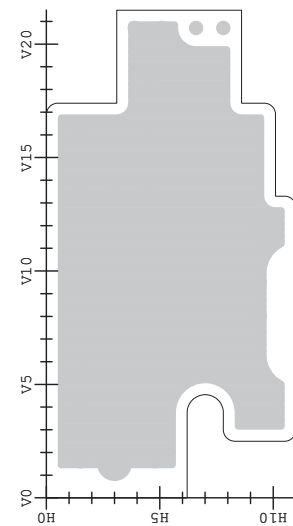
The combination of this side and the bottom side shows the board layout in the same configuration as the actual P.C.Board.



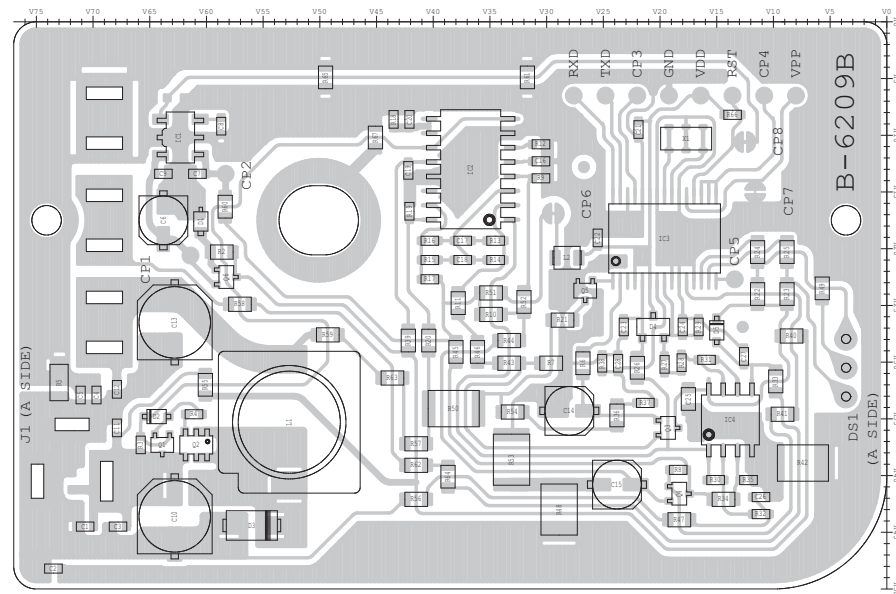
## • CONNECT UNIT (TOP VIEW)



## • ANT UNIT (TOP VIEW)



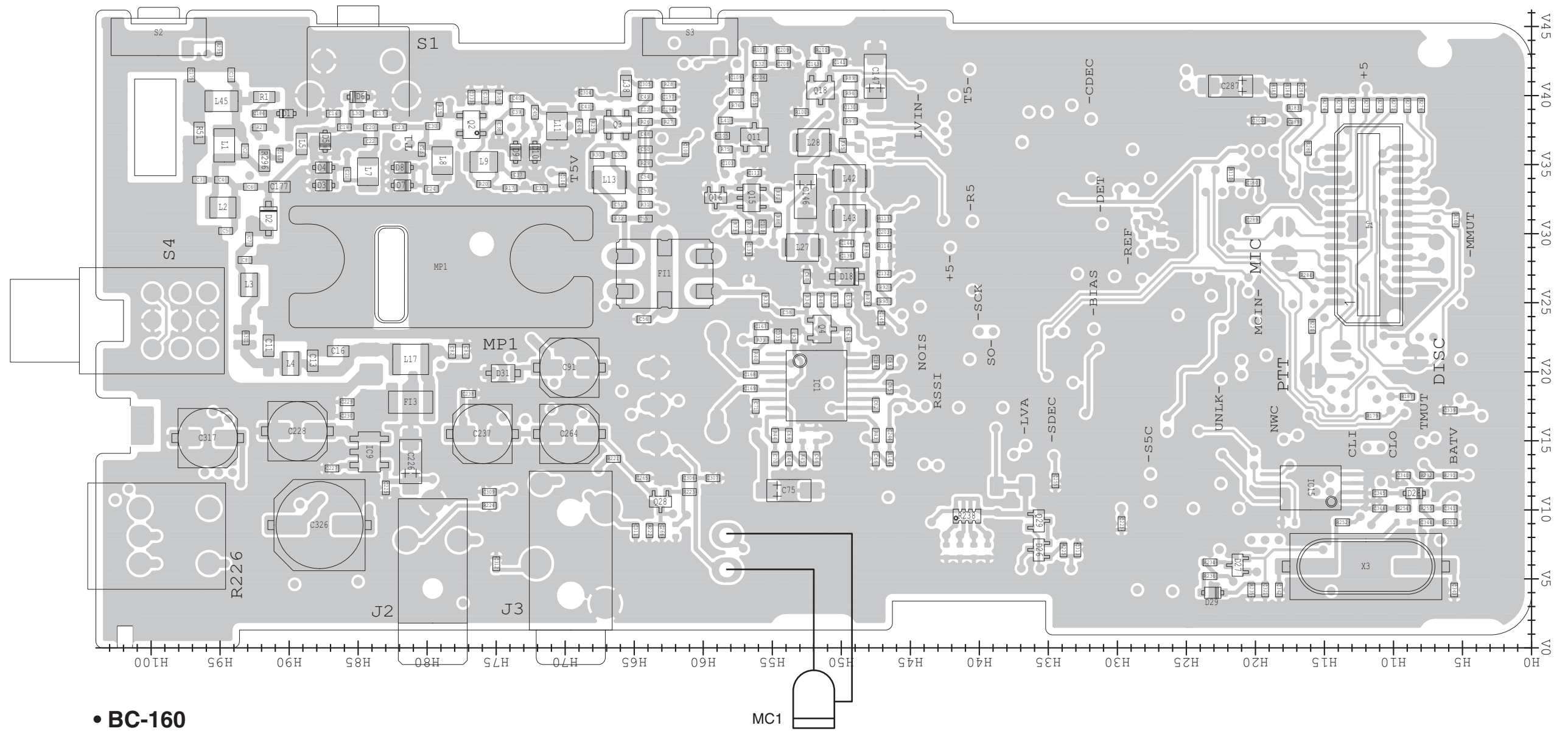
## • BC-160 (TOP VIEW)



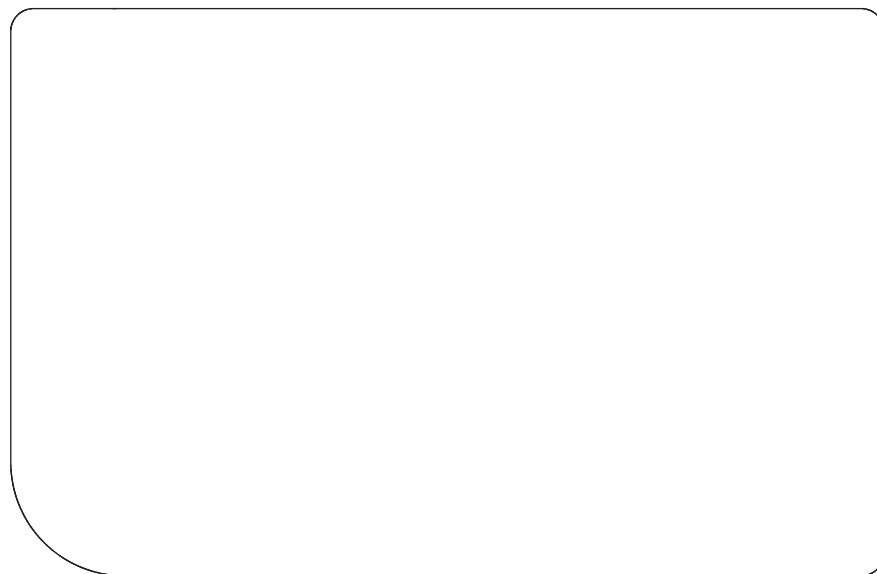


The combination of this side and the bottom side shows the board layout in the same configuration as the actual P.C.Board.

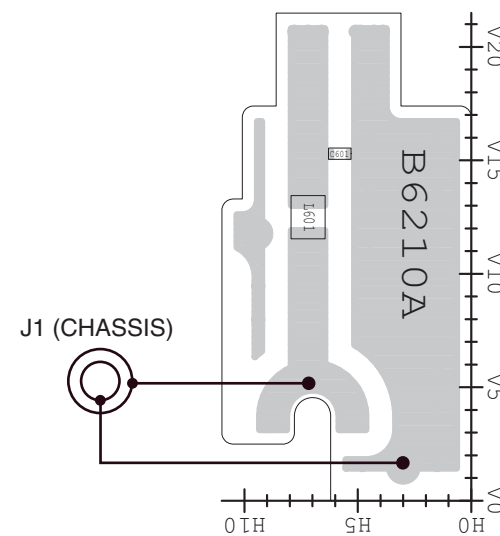
• MAIN/MAIN-B UNIT  
(BOTTOM VIEW)



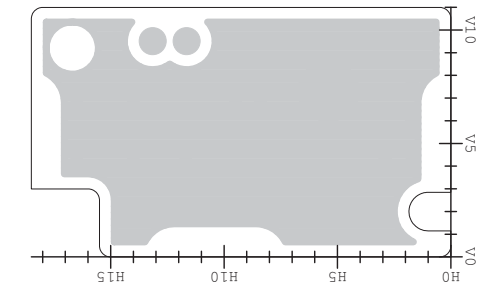
• BC-160  
(BOTTOM VIEW)



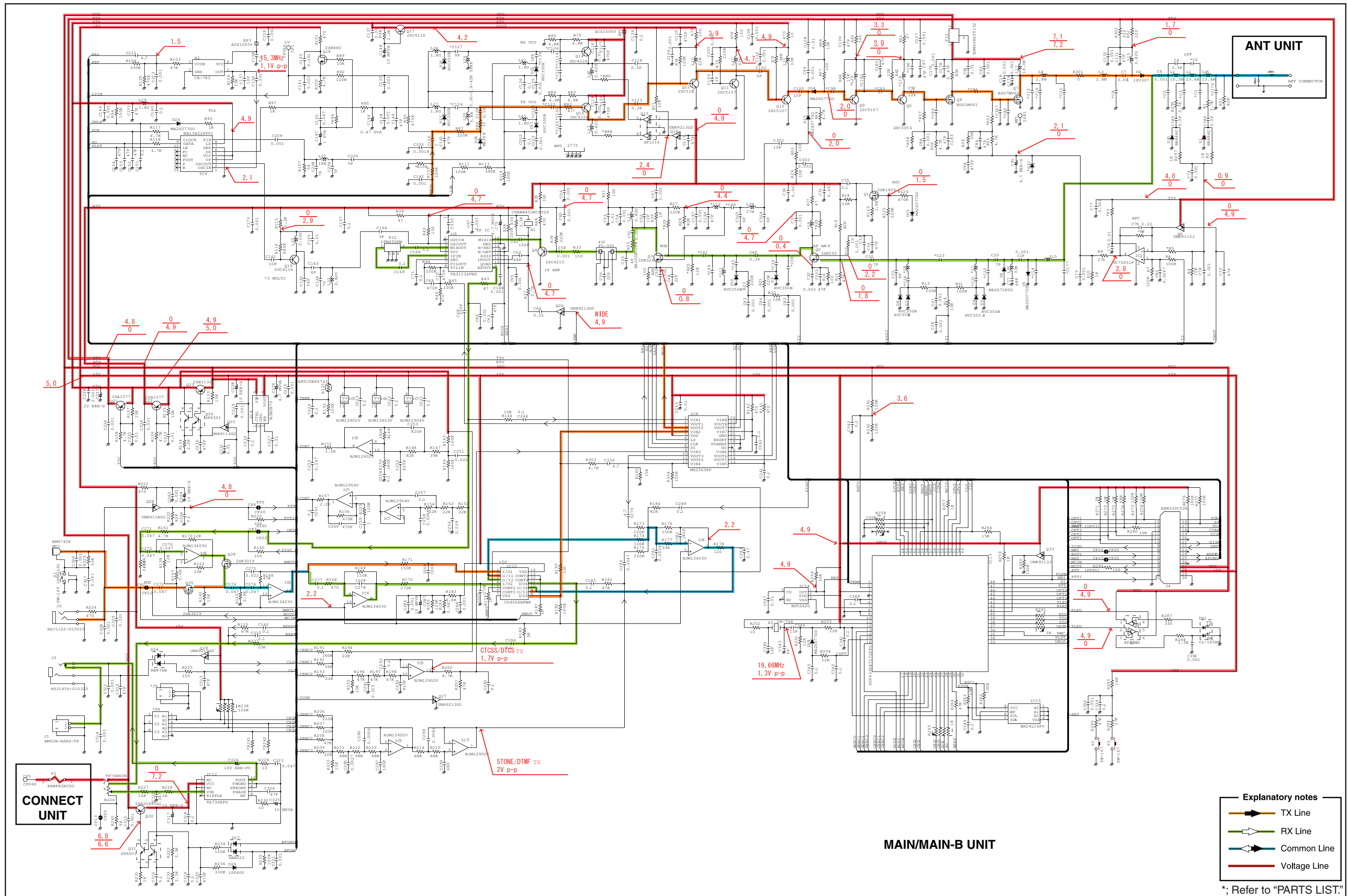
• ANT UNIT  
(BOTTOM VIEW)



• CONNECT UNIT  
(BOTTOM VIEW)



# VOLTAGE DIAGRAM



Feb. 2009



# SERVICE MANUAL ADDENDUM

---

**IC-F24/S IC-F25/S IC-F26/S IC-F26-L IC-F4018**

---

## CONTENTS

PARTS LIST .....	1
VOLTAGE DIAGRAM .....	11

## PARTS LIST

## [ANT UNIT]

REF NO.	PARTS NO.	DESCRIPTION	M.	H/V LOCATION
L601	6200013010	S.COI 0.30-0.9-5TL 10.3N <COMO>	B	7.2/12.5
C601	4030017600	S.CER ECJ0EC1H080C	B	5.8/15.3

## [CONNECT UNIT]

REF NO.	PARTS NO.	DESCRIPTION	M.	H/V LOCATION
C501	4030017460	S.CER ECJ0EB1E102K	T	8.3/5.3
C502	4030016930	S.CER ECJ0EB1A104K	T	9.3/5.3
J501	6910016390	CON IMSA-9230B-1-02Z145-PT1		

## [MAIN UNIT]

REF NO.	PARTS NO.	DESCRIPTION	M.	H/V LOCATION
IC1	1110003201	S.IC TA31136FNG(EL)	B	51.8/19
IC2	11300008561	S.IC TC75S51F(TE85L,F)	T	68.9/21
IC4	1140005991	S.IC MB15A02PFV1-G-BND-ERE1	T	38.3/35.7
IC5	1110005340	S.IC NJM12902V-TE1-#ZZZB	T	29.7/11.6
IC6	1110005320	S.IC NJM13403V-TE1-#ZZZB	T	15.9/34.6
IC7	1110005330	S.IC NJM12904V-TE1-#ZZZB	T	29.2/34.6
IC8	1190000350	S.IC M62363FP-650C	T	40.3/15.2
IC9	1110005350	S.IC NJM2870F05-TE1-#FZZB	B	84.2/14.2
IC10	1130011770	S.IC CD4066BPWR	T	22.9/34.6
IC12	1110001811	S.IC TA7368FG(5,ER)	T	89.3/13.2
IC13	1140012721	S.IC HD6433687C73FPV(FX-2775A-1)	T	12.5/14.3
IC14	1110006260	S.IC BD5242G-TR	T	6.6/5.9
IC15	1130011540	S.IC BR24L16FV-WE2	B	16/11.6
Q1	1560000841	S.FET 2SK1829(TE85R,F)	T	75/39.6
Q2	1580000731	S.FET 3SK293(TE85L,F)	B	76.8/37.9
Q3	1580000800	S.FET 3SK324UG-TL-E	B	66.2/37.9
Q4	1530002601	S.TRA 2SC4215-O(TE85R,F)	B	51.4/23.1
Q5	1530000371	S.TRA 2SC3356-T1B S (R25)	T	74.3/33.5
Q6	1590003230	S.TRA UNR9113J-(TX)	T	72.5/19.1
Q7	1560001232	S.FET RD07MVS2-T112	T	82.6/27
Q8	1560001241	S.FET RD01MUS1-T113	T	76.1/27.5
Q9	1530003311	S.TRA 2SC5107-O(TE85R,F)	T	67/30.3
Q10	1530003311	S.TRA 2SC5107-O(TE85R,F)	T	59.4/36.3
Q11	1530003311	S.TRA 2SC5107-O(TE85R,F)	B	56.3/37
Q12	1530003311	S.TRA 2SC5107-O(TE85R,F)	T	59/31.5
Q13	1530002920	S.TRA 2SC4226-T1 R25	T	54.9/30.7
Q14	1530002920	S.TRA 2SC4226-T1 R25	T	54.2/37.1
Q15	1590001400	S.TRA XP1214(TX)	B	56.5/32.6
Q16	1590003290	S.TRA UNR9213J-(TX)	B	59.1/32.6
Q17	1530002851	S.TRA 2SC4116-BL(TE85R,F)	T	55.5/44.1
Q18	1560000541	S.FET 2SK880-Y(T5RICOM,F)	B	51.5/40.4
Q19	1530002851	S.TRA 2SC4116-BL(TE85R,F)	T	43.3/29.9
Q21	1510000920	S.TRA 2SA1577 T106 Q	T	71.9/16.4
Q22	1510000920	S.TRA 2SA1577 T106 Q	T	24.9/25.9
Q23	1520000460	S.TRA 2SB1132 T100 R	T	81/15.2
Q24	1590001190	S.TRA XP6501-(TX),AB	T	76.3/15.1
Q25	1590003230	S.TRA UNR9113J-(TX)	T	75.7/11.7
Q26	1590003290	S.TRA UNR9213J-(TX)	T	49.7/18.4
Q27	1590003290	S.TRA UNR9213J-(TX)	T	24.8/16.7
Q28	1590003430	S.TRA UNR911HJ-(TX)	B	63.1/10.6
Q29	1590003270	S.TRA UNR9210J-(TX)	B	35.7/9.2
Q30	1510001080	S.TRA 2SA2048 TLR	T	91.9/8.6
Q31	1590001190	S.TRA XP6501-(TX),AB	T	91.4/5.2
Q32	1590003020	S.TRA XP4216-(TX)	T	16.5/23.1
Q33	1590003230	S.TRA UNR9113J-(TX)	T	19.9/22.5
Q34	1560001360	S.FET 2SK3019 TL	T	10.7/30.1
Q35	1560001360	S.FET 2SK3019 TL	T	9.1/26.6
D1	1750001080	S.DIO RB886G T2R	B	90.2/38.7
D2	1750000581	S.DIO 1SV307(TPH3,F)	B	91.5/31.1
D3	1750000711	S.VAR HVC350BTRF-E	B	87.5/33.5
D4	1750000711	S.VAR HVC350BTRF-E	B	87.5/34.8
D5	1790001260	S.DIO MA2S077-(TX)	B	87.4/36.7
D6	1790001240	S.DIO MA2S728-(TX)	B	85/39.9
D7	1750000711	S.VAR HVC350BTRF-E	B	81.8/33.5
D8	1750000711	S.VAR HVC350BTRF-E	B	81.8/34.8
D9	1750000711	S.VAR HVC350BTRF-E	B	73.6/35.9
D10	1750000711	S.VAR HVC350BTRF-E	B	72.2/35.9
D14	1790001260	S.DIO MA2S077-(TX)	T	65.8/35.3
D15	1790001260	S.DIO MA2S077-(TX)	T	65.8/36.7
D16	1750000711	S.VAR HVC350BTRF-E	T	52.6/38.9
D17	1750000711	S.VAR HVC350BTRF-E	T	49.4/28.3
D18	1720000570	S.VAR MA368(TX)	B	49.6/26.9
D21	1750000711	S.VAR HVC350BTRF-E	T	50.5/33.7
D22	1750000711	S.VAR HVC350BTRF-E	T	50.5/35.2
D24	1790001250	S.DIO MA2S111-(TX)	T	41.5/39.2
D25	1790001250	S.DIO MA2S111-(TX)	T	70.5/40.4
D26	1790001790	S.DIO RB876W TL	B	35.7/7.1
D27	1750000520	S.DIO DAN222TL	B	21.3/6
D28	1790001260	S.DIO MA2S077-(TX)	B	8.5/11.2
D29	1750000940	S.DIO ISS400 TE61	B	23.1/4
D30	1750001080	S.DIO RB886G T2R	T	88.5/36.2
D31	1790001010	S.ZEN MA8043-L(TX) [USA-03]	B	74.5/19.9
	1790001010	S.ZEN MA8043-L(TX) [GEN-03]		
	1790001010	S.ZEN MA8043-L(TX) [USA-05]		
F11	2030000150	S.MON DSF753SB 46.350 MHz(FL-335)	B	62.8/27.1
F12	2020002410	CER LTM450FW		
F13	2040001440	S.LC NFE31PT152Z1E9L (NFM60R20T152)	B	81.2/17.8
X1	6070000191	S.DIS CDBKB450KCAY24-R0	T	54.4/20
X2	6050011940	S.XTA CR-783 TTS14VSB-A6 15.3 MHz	T	36.9/28.9
X3	6050011720	S.XTA CR-764 SMD-49TB 19.6608 MHz	B	12/5.9
L1	6200012490	S.COI 0.30-0.9-6TR 13.6N <COMO>	B	94.7/36.4
L2	6200013010	S.COI 0.30-0.9-5TL 10.3N <COMO>	B	94.8/31.9
L3	6200012610	S.COI 0.40-0.9-2TL 2.8N <COMO>	B	92.9/26.3
L4	6200012610	S.COI 0.40-0.9-2TL 2.8N <COMO>	B	89.9/20.6
L5	6200010850	S.COI LQW18AN22NG00D (LQW1608A22NG00) [USA-02]	B	89.1/36.5

M.=Mounted side (T: Mounted on the Top side, B: Mounted on the Bottom side)  
S.=Surface mount



[MAIN UNIT]

REF NO.	PARTS NO.	DESCRIPTION	M.	H/V LOCATION
L5	6200009070	S.COI LQW18AN18NG00D (LQW1608A18NG00) [USA-03]	B	89.1/36.5
	6200010850	S.COI LQW18AN22NG00D (LQW1608A22NG00) [EUR-02]		
	6200010850	S.COI LQW18AN22NG00D (LQW1608A22NG00) [BEA-02]		
	6200010850	S.COI LQW18AN22NG00D (LQW1608A22NG00) [GEN-02]		
	6200009070	S.COI LQW18AN18NG00D (LQW1608A18NG00) [GEN-03]		
	6200010850	S.COI LQW18AN22NG00D (LQW1608A22NG00) [USA-04]		
	6200010850	S.COI LQW18AN22NG00D (LQW1608A22NG00) [RUS-05]		
	6200009070	S.COI LQW18AN18NG00D (LQW1608A18NG00) [USA-05]		
	6200010850	S.COI LQW18AN22NG00D (LQW1608A22NG00) [CHN-02]		
	6200010850	S.COI LQW18AN22NG00D (LQW1608A22NG00) [CHN-01]		
L7	6200007700	S.COI LQW2BHN22NJ03L [USA-02]	B	84.3/34.5
	6200007690	S.COI LQW2BHN18NJ03L [USA-03]		
	6200007700	S.COI LQW2BHN22NJ03L [EUR-02]		
	6200007700	S.COI LQW2BHN22NJ03L [BEA-02]		
	6200007700	S.COI LQW2BHN22NJ03L [GEN-02]		
	6200007690	S.COI LQW2BHN18NJ03L [GEN-03]		
	6200007700	S.COI LQW2BHN22NJ03L [USA-04]		
	6200007700	S.COI LQW2BHN22NJ03L [RUS-05]		
	6200007690	S.COI LQW2BHN18NJ03L [USA-05]		
	6200007700	S.COI LQW2BHN22NJ03L [CHN-02]		
L8	6200007700	S.COI LQW2BHN22NJ03L [CHN-01]	B	78.9/35.3
	6200007690	S.COI LQW2BHN18NJ03L [USA-02]		
	6200007700	S.COI LQW2BHN22NJ03L [USA-03]		
	6200007690	S.COI LQW2BHN22NJ03L [EUR-02]		
	6200007700	S.COI LQW2BHN22NJ03L [BEA-02]		
	6200007690	S.COI LQW2BHN18NJ03L [GEN-02]		
	6200007700	S.COI LQW2BHN22NJ03L [GEN-03]		
	6200007690	S.COI LQW2BHN18NJ03L [USA-04]		
	6200007700	S.COI LQW2BHN22NJ03L [RUS-05]		
	6200007690	S.COI LQW2BHN18NJ03L [USA-05]		
L9	6200007700	S.COI LQW2BHN22NJ03L [CHN-02]	B	75.9/35.2
	6200007680	S.COI LQW2BHN12NJ03L [CHN-01]		
	6200007670	S.COI LQW2BHN10NJ03L [USA-02]		
	6200007680	S.COI LQW2BHN12NJ03L [USA-03]		
	6200007680	S.COI LQW2BHN12NJ03L [EUR-02]		
	6200007680	S.COI LQW2BHN12NJ03L [BEA-02]		
	6200007670	S.COI LQW2BHN10NJ03L [GEN-02]		
	6200007680	S.COI LQW2BHN12NJ03L [GEN-03]		
	6200007680	S.COI LQW2BHN12NJ03L [USA-04]		
	6200007670	S.COI LQW2BHN10NJ03L [RUS-05]		
L11	6200007680	S.COI LQW2BHN12NJ03L [USA-05]	B	70.6/37.8
	6200007680	S.COI LQW2BHN12NJ03L [CHN-02]		
	6200007680	S.COI LQW2BHN12NJ03L [CHN-01]		
	6200007230	S.COI LQW2BHN15NJ03L [USA-02]		
	6200007680	S.COI LQW2BHN12NJ03L [USA-03]		
	6200007230	S.COI LQW2BHN15NJ03L [EUR-02]		
	6200007230	S.COI LQW2BHN15NJ03L [BEA-02]		
	6200007230	S.COI LQW2BHN15NJ03L [GEN-02]		
	6200007680	S.COI LQW2BHN12NJ03L [GEN-03]		
	6200007230	S.COI LQW2BHN15NJ03L [USA-04]		
L12	6200007230	S.COI LQW2BHN15NJ03L [RUS-05]	B	64.2/39
	6200007230	S.COI LQW2BHN15NJ03L [CHN-02]		
	6200007230	S.COI LQW2BHN15NJ03L [CHN-01]		
	6200011001	S.COI ELJRF 56NJFB		
	6200007850	S.COI ELJNC R82K-F		
	6200002851	S.COI NLV25T-R82J		
	6200012980	S.COI 0.40-1.4-5TR 18.3N <COMO>		
	6200005671	S.COI ELJRE 12NGFA [USA-02]		
	6200005661	S.COI ELJRE 10NGFA [USA-03]		
	6200005671	S.COI ELJRE 12NGFA [EUR-02]		
L13	6200005671	S.COI ELJRE 12NGFA [BEA-02]	B	66.8/33.9
	6200005671	S.COI ELJRE 12NGFA [GEN-02]		
	6200005661	S.COI ELJRE 10NGFA [GEN-03]		
	6200005671	S.COI ELJRE 12NGFA [USA-04]		
	6200005671	S.COI ELJRE 12NGFA [RUS-05]		
	6200005661	S.COI ELJRE 10NGFA [USA-05]		
	6200005671	S.COI ELJRE 12NGFA [CHN-02]		
	6200005671	S.COI ELJRE 12NGFA [CHN-01]		
	6200005691	S.COI ELJRE 18NGFA [USA-02]		
	6200005681	S.COI ELJRE 15NGFA [USA-03]		
L15	6200005691	S.COI ELJRE 18NGFA [GEN-02]	T	68.8/33.1
	6200005691	S.COI ELJRE 18NGFA [EUR-02]		
	6200005691	S.COI ELJRE 18NGFA [BEA-02]		
	6200005691	S.COI ELJRE 18NGFA [GEN-02]		
	6200005681	S.COI ELJRE 15NGFA [GEN-03]		
	6200005691	S.COI ELJRE 18NGFA [USA-04]		
	6200005691	S.COI ELJRE 18NGFA [RUS-05]		
	6200005681	S.COI ELJRE 15NGFA [USA-05]		
	6200005691	S.COI ELJRE 18NGFA [CHN-02]		
	6200005691	S.COI ELJRE 18NGFA [CHN-01]		
L20	6200007881	S.COI ELJRF 33NJFB	T	59.2/38.6
	6200007901	S.COI ELJRF 22NJFB		
	6200002851	S.COI NLV25T-R82J		
	6200013630	S.COI 0.30-0.9-3TR 5.8N 5PER <COMO>		
	6200013580	S.COI 0.30-0.9-4TR 5PER <COMO>		
	6200004951	S.COI NLV25T-1R8J		
	6200004951	S.COI NLV25T-1R8J		
	6200004660	S.COI MLF1608A 1R8K-T		
	6200007881	S.COI ELJRF 33NJFB		
	6200007911	S.COI ELJRF 18NJFB		
L21	6200004480	S.COI MLF1608D R82K-T	T	52/36.6
	6200003540	S.COI MLF1608D R22K-T		
	6200005711	S.COI ELJRE 27NGFA		
	6200002851	S.COI NLV25T-R82J		
	6200007881	S.COI ELJRF 33NJFB		
	6200007911	S.COI ELJRF 18NJFB		
	6200004480	S.COI MLF1608D R82K-T		
	6200003540	S.COI MLF1608D R22K-T		
	6200005711	S.COI ELJRE 27NGFA		
	6200002851	S.COI NLV25T-R82J		

[MAIN UNIT]

REF NO.	PARTS NO.	DESCRIPTION	M.	H/V LOCATION
L41	6200007881	S.COI ELJRF 33NJFB	B	58.4/38.2
L42	6200004951	S.COI NLV25T-1R8J	B	49.4/34
L43	6200004951	S.COI NLV25T-1R8J	B	49.4/31.1
L45	6200012490	S.COI 0.30-0.9-6TR 13.6N <COMO>	B	94.9/39.6
R1	7030003490	S.RES ERJ3GEYJ 272 V (2.7K)	B	91.8/39.9
R2	7030005120	S.RES ERJ2GEJ 102 X (1K)	B	92.1/37.7
R3	7030004970	S.RES ERJ2GEJ 470 X (47) [USA-02]	T	66.7/22.7
	7030005570	S.RES ERJ2GEJ 820 X (82) [USA-03]		
	7030004970	S.RES ERJ2GEJ 470 X (47) [EUR-02]		
	7030004970	S.RES ERJ2GEJ 470 X (47) [BEA-02]		
	7030004970	S.RES ERJ2GEJ 470 X (47) [GEN-02]		
	7030005570	S.RES ERJ2GEJ 820 X (82) [GEN-03]		
	7030004970	S.RES ERJ2GEJ 470 X (47) [USA-04]		
	7030004970	S.RES ERJ2GEJ 470 X (47) [RUS-05]		
	7030005570	S.RES ERJ2GEJ 820 X (82) [USA-05]		
	7030004970	S.RES ERJ2GEJ 470 X (47) [CHN-02]		
R4	7030004970	S.RES ERJ2GEJ 470 X (47) [CHN-01]	T	75.8/20.8
	7030005050	S.RES ERJ2GEJ 103 X (10K)		
	7030005050	S.RES ERJ2GEJ 103 X (10K) [USA-02]		
	7030005220	S.RES ERJ2GEJ 223 X (22K) [USA-03]		
	7030005050	S.RES ERJ2GEJ 103 X (10K) [EUR-02]		
	7030005050	S.RES ERJ2GEJ 103 X (10K) [BEA-02]		
	7030005050	S.RES ERJ2GEJ 103 X (10K) [GEN-02]		
	7030005220	S.RES ERJ2GEJ 223 X (22K) [GEN-03]		
	7030005050	S.RES ERJ2GEJ 103 X (10K) [USA-04]		
	7030005050	S.RES ERJ2GEJ 103 X (10K) [RUS-05]		
R5	7030005220	S.RES ERJ2GEJ 223 X (22K) [USA-05]	T	73.3/21.1
	7030005050	S.RES ERJ2GEJ 103 X (10K) [CHN-02]		
	7030005050	S.RES ERJ2GEJ 103 X (10K) [CHN-01]		
	7030005090	S.RES ERJ2GEJ 104 X (100K)		
	7030005310	S.RES ERJ2GEJ 124 X (120K)		
	7030005170	S.RES ERJ2GEJ 474 X (470K) [USA-02]		
	7030005100	S.RES ERJ2GEJ 154 X (150K) [USA-03]		
	7030005170	S.RES ERJ2GEJ 474 X (470K) [EUR-02]		
	7030005170	S.RES ERJ2GEJ 474 X (470K) [BEA-02]		
	7030005170	S.RES ERJ2GEJ 474 X (470K) [GEN-02]		
R6	7030005100	S.RES ERJ2GEJ 154 X (150K) [GEN-03]	T	66.7/18.2
	7030005170	S.RES ERJ2GEJ 474 X (470K) [USA-04]		
	7030005170	S.RES ERJ2GEJ 474 X (470K) [RUS-05]		
	7030005170	S.RES ERJ2GEJ 474 X (470K) [USA-05]		
	7030005100	S.RES ERJ2GEJ 154 X (150K) [USA-05]		
	7030005170	S.RES ERJ2GEJ 474 X (470K) [CHN-02]		
	7030005170	S.RES ERJ2GEJ 474 X (470K) [CHN-01]		
	7030008280	S.RES ERJ2GEJ 271 X (270)		
	7030005120	S.RES ERJ2GEJ 102 X (1K)		
	7030005090	S.RES ERJ2GEJ 104 X (100K)		
R7	7030005530	S.RES ERJ2GEJ 100 X (10)	T	71.3/22.4
	7030005990	S.RES ERJ2GEJ 104 X (100K)		
	7030005990	S.RES ERJ2GEJ 104 X (100K)		
	7030005050	S.RES ERJ2GEJ 103 X (10K)		
	7030005240	S.RES ERJ2GEJ 473 X (47K)		
	7030004980	S.RES ERJ2GEJ 101 X (100)		
	7030004970	S.RES ERJ2GEJ 470 X (47)		
	7030005050	S.RES ERJ2GEJ 103 X (10K)		
	7030005080	S.RES ERJ2GEJ 823 X (82K)		
	7030005120	S.RES ERJ2GEJ 102 X (1K) [USA-02]		
R8	7030005120	S.RES ERJ2GEJ 102 X (1K) [USA-03]	T	68.4/24
	7030005120	S.RES ERJ2GEJ 102 X (1K) [EUR-02]		
	7030005120	S.RES ERJ2GEJ 102 X (1K) [GEN-02]		
	7030005120	S.RES ERJ2GEJ 102 X (1K) [GEN-02]		
	7030005240	S.RES ERJ2GEJ 473 X (47K) [USA-03]		
	7030005120	S.RES ERJ2GEJ 102 X (1K) [GEN-02]		
	7030005240	S.RES ERJ2GEJ 473 X (47K) [GEN-03]		
	7030005120	S.RES ERJ2GEJ 102 X (1K) [USA-04]		
	7030005120	S.RES ERJ2GEJ 102 X (1K) [RUS-05]		
	7030005240	S.RES ERJ2GEJ 473 X (47K) [USA-05]		
R9	7030005120	S.RES ERJ2GEJ 102 X (1K) [CHN-02]	T	85.5/36.7
	7030005120	S.RES ERJ2GEJ 102 X (1K) [CHN-01]		
	7030005110	S.RES ERJ2GEJ 224 X (220K)		
	7030005050	S.RES ERJ2GEJ 103 X (10K)		
	7030005110	S.RES ERJ2GEJ 224 X (220K)		
	7030005050	S.RES ERJ2GEJ 103 X (10K)		
	7030007340	S.RES ERJ2GEJ 153 X (15K) [USA-02]		
	7030005050	S.RES ERJ2GEJ 103 X (10K) [USA-03]		
	7030007340	S.RES ERJ2GEJ 153 X (15K) [EUR-02]		
	7030007340	S.RES ERJ2GEJ 153 X (15K) [BEA-02]		
R10	7030007340	S.RES ERJ2GEJ 153 X (15K) [GEN-02]	T	77.5/37.5
	7030005050	S.RES ERJ2GEJ 103 X (10K) [GEN-03]		
	7030005120	S.RES ERJ2GEJ 102 X (1K) [USA-04]		
	7030005120	S.RES ERJ2GEJ 102 X (1K) [RUS-05]		
	7030005120	S.RES ERJ2GEJ 102 X (1K) [USA-05]		
	7030005120	S.RES ERJ2GEJ 102 X (1K) [CHN-02]		
	7030005120	S.RES ERJ2GEJ 102 X (1K) [CHN-01]		
	7030005110	S.RES ERJ2GEJ 224 X (220K)		
	7030005050	S.RES ERJ2GEJ 103 X (10K)		
	7030005110	S.RES ERJ2GEJ 224 X (220K)		
R11	7030005050	S.RES ERJ2GEJ 103 X (10K)	T	82.3/35.7
	7030007340	S.RES ERJ2GEJ 153 X (15K) [BEA-02]		
	7030007340	S.RES ERJ2GEJ 153 X (15K) [GEN-02]		
	7030005050	S.RES ERJ2GEJ 103 X (10K) [GEN-03]		
	7030007340	S.RES ERJ2GEJ 153 X (15K) [USA-04]		
	7030005050	S.RES ERJ2GEJ 103 X (10K) [USA-05]		
	7030007340	S.RES ERJ2GEJ 153 X (15K) [CHN-02]		
	7030007340	S.RES ERJ2GEJ 153 X (15K) [CHN-01]		
	7030005050	S.RES ERJ2GEJ 103 X (10K)		
	7030007340	S.RES ERJ2GEJ 153 X (15K)		
R12	7030007340	S.RES ERJ2GEJ 153 X (15K) [RUS-05]	T	79.1/36.9
	7030005050	S.RES ERJ2GEJ 103 X (10K) [USA-04]		
	7030007340	S.RES ERJ2GEJ 153 X (15K) [RUS-05]		
	7030005050	S.RES ERJ2GEJ 103 X (10K) [USA-05]		
	7030007340	S.RES ERJ2GEJ 153 X (15K) [CHN-02]		
	7030005050	S.RES ERJ2GEJ 103 X (10K) [CHN-01]		
	7030005050	S.RES ERJ2GEJ 103 X (10K)		
	7030007340	S.RES ERJ2GEJ 153 X (15K)		
	7030005050	S.RES ERJ2GEJ 103 X (10K)		
	7030007340	S.RES ERJ2GEJ 153 X (15K)		
R13	7030007340	S.RES ERJ2GEJ 153 X (15K) [USA-02]	T	74.8/39.9
	7030007340	S.RES ERJ2GEJ 153 X (15K) [EUR-02]		
	7030007340	S.RES ERJ2GEJ 153 X (15K) [GEN-02]		
	7030005050	S.RES ERJ2GEJ 103 X (10K) [GEN-03]		
	7030007340	S.RES ERJ2GEJ 153 X (15K) [USA-04]		
	7030005050	S.RES ERJ2GEJ 103 X (10K) [USA-05]		
	7030007340	S.RES ERJ2GEJ 153 X (15K) [CHN-02]		
	7030007340	S.RES ERJ2GEJ 153 X (15K) [CHN-01]		
	7030005050	S.RES ERJ2GEJ 103 X (10K)		
	7030007340	S.RES ERJ2GEJ 153 X (15K)		
R14	7030007340	S.RES ERJ2GEJ 153 X (15K) [RUS-05]	T	74.8/39.9
	7030005050	S.RES ERJ2GEJ 103 X (10K) [USA-04]		
	7030007340	S.RES ERJ2GEJ 153 X (15K) [RUS-05]		
	7030005050	S.RES ERJ2GEJ 103 X (10K) [USA-05]		
	7030007340	S.RES ERJ2GEJ 153 X (15K) [CHN-02]		
	7030005050	S.RES ERJ2GEJ 103 X (10K) [CHN-01]		
	7030005050	S.RES ERJ2GEJ 103 X (10K)		
	7030007340	S.RES ERJ2GEJ 153 X (15K)		
	7030005050	S.RES ERJ2GEJ 103 X (10K)		
	7030007340	S.RES ERJ2GEJ 153 X (15K)		
R15	7030007340	S.RES ERJ2GEJ 153 X (15K) [USA-02]	T	78.8/38.7
	7030007340			

[MAIN UNIT]

REF NO.	PARTS NO.	DESCRIPTION	M.	H/V LOCATION
R39	7030004970	S.RES ERJ2GEJ 470 X (47)	B	55.8/22.3
R40	7030007270	S.RES ERJ2GEJ 151 X (150)	B	56.2/21.1
R43	7030004970	S.RES ERJ2GEJ 470 X (47)	B	47.5/15.4
R44	7030005090	S.RES ERJ2GEJ 104 X (100K)	B	54.8/15.4
R45	7030005090	S.RES ERJ2GEJ 104 X (100K)	B	52.8/13.7
R46	7030005000	S.RES ERJ2GEJ 471 X (470)	B	53.8/13.7
R48	7030005000	S.RES ERJ2GEJ 471 X (470)	B	51.5/25.2
R50	7030004980	S.RES ERJ2GEJ 101 X (100)	T	66.3/38
R51	7030003670	S.RES ERJ3GEYJ 823 V (82K)	B	96.5/37.3
R52	7030004990	S.RES ERJ2GEJ 221 X (220)	T	93.3/35.9
R53	7030005530	S.RES ERJ2GEJ 100 X (10) [USA-02]	T	80/22.5
	7030005710	S.RES ERJ2GEJ 121 X (120) [USA-03]		
	7030005530	S.RES ERJ2GEJ 100 X (10) [EUR-02]		
	7030005530	S.RES ERJ2GEJ 100 X (10) [BEA-02]		
	7030005530	S.RES ERJ2GEJ 100 X (10) [GEN-02]		
	7030005710	S.RES ERJ2GEJ 121 X (120) [GEN-03]		
	7030005530	S.RES ERJ2GEJ 100 X (10) [USA-04]		
	7030005530	S.RES ERJ2GEJ 100 X (10) [RUS-05]		
	7030005710	S.RES ERJ2GEJ 121 X (120) [USA-05]		
	7030005530	S.RES ERJ2GEJ 100 X (10) [CHN-02]		
	7030005530	S.RES ERJ2GEJ 100 X (10) [CHN-01]		
R54	7030005060	S.RES ERJ2GEJ 333 X (33K)	T	81.3/21.4
R55	7030005040	S.RES ERJ2GEJ 472 X (4.7K)	T	80/20.9
R56	7030003860	S.RES ERJ3GE JPW V	T	78/22.4
R57	7030004970	S.RES ERJ2GEJ 470 X (47)	T	75.2/23.2
R58	7030005060	S.RES ERJ2GEJ 333 X (33K) [USA-03]	T	72.1/24
	7030005060	S.RES ERJ2GEJ 333 X (33K) [GEN-03]		
	7030005060	S.RES ERJ2GEJ 333 X (33K) [USA-05]		
R59	7030005040	S.RES ERJ2GEJ 472 X (4.7K)	T	71.2/24
R61	7030004970	S.RES ERJ2GEJ 470 X (47)	T	71.8/36.3
R62	7030005220	S.RES ERJ2GEJ 223 X (22K)	T	72.1/35
R65	7030004980	S.RES ERJ2GEJ 101 X (100)	T	69.4/34.2
R66	7030007340	S.RES ERJ2GEJ 153 X (15K)	T	67.8/34.2
R67	7030004980	S.RES ERJ2GEJ 101 X (100)	T	67.8/35.1
R68	7030005050	S.RES ERJ2GEJ 103 X (10K)	T	69.4/35.1
R69	7030005040	S.RES ERJ2GEJ 472 X (4.7K)	T	64.1/35.2
R70	7030005530	S.RES ERJ2GEJ 100 X (10)	B	57.6/40.3
R71	7030005070	S.RES ERJ2GEJ 683 X (68K)	T	58.2/38.6
R73	7030004980	S.RES ERJ2GEJ 101 X (100)	B	57.7/30.5
R75	7030005110	S.RES ERJ2GEJ 224 X (220K)	B	58.4/36.1
R76	7030004980	S.RES ERJ2GEJ 101 X (100)	B	57.6/39.3
R77	7030005050	S.RES ERJ2GEJ 103 X (10K)	B	56.7/30.5
R78	7030005090	S.RES ERJ2GEJ 104 X (100K)	T	57.8/33.3
R79	7030006020	S.RES RR0510P-682-D (6.8K)	T	56.5/39.1
R80	7030008370	S.RES ERJ2GEJ 561 X (560) [USA-02]	B	54.6/32.8
	7030005120	S.RES ERJ2GEJ 102 X (1K) [USA-03]		
	7030008370	S.RES ERJ2GEJ 561 X (560) [EUR-02]		
	7030008370	S.RES ERJ2GEJ 561 X (560) [BEA-02]		
	7030008370	S.RES ERJ2GEJ 561 X (560) [GEN-02]		
	7030005120	S.RES ERJ2GEJ 102 X (1K) [GEN-03]		
	7030008370	S.RES ERJ2GEJ 561 X (560) [USA-04]		
	7030008370	S.RES ERJ2GEJ 561 X (560) [RUS-05]		
	7030005120	S.RES ERJ2GEJ 102 X (1K) [USA-05]		
	7030008370	S.RES ERJ2GEJ 561 X (560) [CHN-02]		
	7030008370	S.RES ERJ2GEJ 561 X (560) [CHN-01]		
R82	7030009320	S.RES ERJ2GEJ 472 X (4.7K)	T	52.6/32
R83	7030006020	S.RES RR0510P-682-D (6.8K)	T	54.1/32.6
R84	7030006020	S.RES RR0510P-682-D (6.8K)	T	52.1/28.6
R85	7030006020	S.RES RR0510P-682-D (6.8K)	T	54.7/39.1
R86	7030005530	S.RES ERJ2GEJ 100 X (10)	B	48.2/28.8
R87	7030005110	S.RES ERJ2GEJ 224 X (220K)	B	48.1/25.3
R88	7030008370	S.RES ERJ2GEJ 561 X (560) [USA-02]	B	54.6/31
	7030005010	S.RES ERJ2GEJ 681 X (68K) [USA-03]		
	7030008370	S.RES ERJ2GEJ 561 X (560) [EUR-02]		
	7030008370	S.RES ERJ2GEJ 561 X (560) [BEA-02]		
	7030008370	S.RES ERJ2GEJ 561 X (560) [GEN-02]		
	7030005010	S.RES ERJ2GEJ 681 X (68K) [GEN-03]		
	7030008370	S.RES ERJ2GEJ 561 X (560) [USA-04]		
	7030008370	S.RES ERJ2GEJ 561 X (560) [RUS-05]		
	7030005010	S.RES ERJ2GEJ 681 X (68K) [USA-05]		
	7030008370	S.RES ERJ2GEJ 561 X (560) [CHN-02]		
	7030008370	S.RES ERJ2GEJ 561 X (560) [CHN-01]		
R89	7030005050	S.RES ERJ2GEJ 103 X (10K)	B	49.3/41.2
R90	7030005170	S.RES ERJ2GEJ 474 X (470K)	B	46.9/25.1
R92	7030005310	S.RES ERJ2GEJ 124 X (120K)	B	46.9/26.1
R93	7030005120	S.RES ERJ2GEJ 102 X (1K)	T	39.8/39.4
R94	7030005100	S.RES ERJ2GEJ 154 X (150K)	T	41.8/40.8
R95	7030005120	S.RES ERJ2GEJ 102 X (1K)	B	49.9/36.4
R96	7030008410	S.RES ERJ2GEJ 392 X (3.9K) [USA-02]	B	49.3/40.1
	7030009140	S.RES ERJ2GEJ 272 X (2.7K) [USA-03]		
	7030008410	S.RES ERJ2GEJ 392 X (3.9K) [EUR-02]		
	7030008410	S.RES ERJ2GEJ 392 X (3.9K) [BEA-02]		
	7030008410	S.RES ERJ2GEJ 392 X (3.9K) [GEN-02]		
	7030009140	S.RES ERJ2GEJ 272 X (2.7K) [GEN-03]		
	7030008410	S.RES ERJ2GEJ 392 X (3.9K) [USA-04]		
	7030008410	S.RES ERJ2GEJ 392 X (3.9K) [RUS-05]		
	7030009140	S.RES ERJ2GEJ 272 X (2.7K) [USA-05]		
	7030008410	S.RES ERJ2GEJ 392 X (3.9K) [CHN-02]		
	7030008410	S.RES ERJ2GEJ 392 X (3.9K) [CHN-01]		
R97	7030005120	S.RES ERJ2GEJ 102 X (1K)	B	49.3/38.1
R98	7030007290	S.RES ERJ2GEJ 222 X (2.2K)	T	53.5/44.1
R100	7030005040	S.RES ERJ2GEJ 472 X (4.7K)	B	52.9/38.8
R101	7030005000	S.RES ERJ2GEJ 471 X (470)	B	51.4/43.3
R103	7030005240	S.RES ERJ2GEJ 473 X (47K)	T	33.1/27.8
R104	7030005230	S.RES ERJ2GEJ 334 X (330K)	T	31.5/26.9
R105	7030005170	S.RES ERJ2GEJ 474 X (470K)	T	32.6/29.1
R106	7030005050	S.RES ERJ2GEJ 103 X (10K)	T	37.5/32
R107	7030005580	S.RES ERJ2GEJ 560 X (56)	B	55.9/43.3
R108	7030005600	S.RES ERJ2GEJ 273 X (27K) [USA-02]	T	44.9/21
	7030008290	S.RES ERJ2GEJ 183 X (18K) [USA-03]		
	7030005600	S.RES ERJ2GEJ 273 X (27K) [EUR-02]		
	7030005600	S.RES ERJ2GEJ 273 X (27K) [BEA-02]		
	7030005600	S.RES ERJ2GEJ 273 X (27K) [GEN-02]		
	7030008290	S.RES ERJ2GEJ 183 X (18K) [GEN-03]		

[MAIN UNIT]

REF NO.	PARTS NO.	DESCRIPTION	M.	H/V LOCATION
R108	7030005600	S.RES ERJ2GEJ 273 X (27K) [USA-04]		
	7030005600	S.RES ERJ2GEJ 273 X (27K) [RUS-05]	T	44.9/21
	7030008290	S.RES ERJ2GEJ 183 X (18K) [USA-05]		
	7030005600	S.RES ERJ2GEJ 273 X (27K) [CHN-02]		
	7030005600	S.RES ERJ2GEJ 273 X (27K) [CHN-01]		
R109	7030005090	S.RES ERJ2GEJ 104 X (100K)	T	43.9/21
R110	7030005240	S.RES ERJ2GEJ 473 X (47K)	T	21.8/34.3
R111	7030005090	S.RES ERJ2GEJ 104 X (100K)	B	27.1/28.7
R113	7030006610	S.RES ERJ2GEJ 394 X (390K)	B	46.9/31.1
R114	7030005100	S.RES ERJ2GEJ 154 X (150K)	B	46.9/29.1
R115	7030007570	S.RES ERJ2GEJ 122 X (1.2K)	T	40.5/32
R116	7030007060	S.RES ERJ2GEJ 684X (680K)	T	43.4/32.7
R117	7030005040	S.RES ERJ2GEJ 472 X (4.7K)	T	35.3/40.1
R118	7030005040	S.RES ERJ2GEJ 472 X (4.7K)	T	37.2/40.1
R123	7030008400	S.RES ERJ2GEJ 182 X (1.8K)	T	75.2/37.7
R124	7030005170	S.RES ERJ2GEJ 474 X (470K)	T	72.7/40.4
R125	7030005110	S.RES ERJ2GEJ 224 X (220K)	T	73.2/38.9
R131	7510001730	S.THE ERTJOEP 473J	T	40.9/28.1
R132	7030010080	S.RES ERJ2RHD 104 X (100K)	T	40.9/27.1
R133	7030005050	S.RES ERJ2GEJ 103 X (10K)	T	84.1/14.2
R134	7030007290	S.RES ERJ2GEJ 222 X (2.2K)	T	74/14.3
R135	7030005050	S.RES ERJ2GEJ 103 X (10K)	T	24.5/24
R136	7030005040	S.RES ERJ2GEJ 472 X (4.7K)	T	22.8/24
R137	7030005050	S.RES ERJ2GEJ 103 X (10K)	T	69.8/14.7
R138	7030005040	S.RES ERJ2GEJ 472 X (4.7K)	T	69.8/16.7
R141	7030005000	S.RES ERJ2GEJ 471 X (470)	T	37/9.9
R142	7030005000	S.RES ERJ2GEJ 471 X (470)	T	43/9.9
R143	7030007340	S.RES ERJ2GEJ 153 X (15K)	T	37.2/24.4
R144	7030005050	S.RES ERJ2GEJ 103 X (10K)	B	46.5/13.7
R145	7030005090	S.RES ERJ2GEJ 104 X (100K)	T	33.4/18.1
R146	7030005090	S.RES ERJ2GEJ 104 X (100K)	T	31.6/18.1
R147	7030007350	S.RES ERJ2GEJ 393 X (39K)	T	33.4/16.1
R148	7030005080	S.RES ERJ2GEJ 823 X (82K)	T	31.6/16.1
R149	7030006610	S.RES ERJ2GEJ 394 X (390K)	T	33.4/12.9
R150	7030008300	S.RES ERJ2GEJ 184 X (180K)	T	33.4/11.9
R151	7030005030	S.RES ERJ2GEJ 152 X (1.5K)	T	33.4/13.9
R152	7030005220	S.RES ERJ2GEJ 223 X (22K)	T	31.1/29.6
R153	7030005220	S.RES ERJ2GEJ 223 X (22K)	T	29.9/29.1
R154	7030005220	S.RES ERJ2GEJ 223 X (22K)	T	28.2/30.1
R155	7030005090	S.RES ERJ2GEJ 104 X (100K)	T	29.8/41.1
R156	7030005170	S.RES ERJ2GEJ 474 X (470K)	T	29.8/40.1
R157	7030007290	S.RES ERJ2GEJ 222 X (2.2K)	T	31.5/39.1
R159	7030008010	S.RES ERJ2GEJ 123 X (12K)	T	15.7/28.8
R160	7030004980	S.RES ERJ2GEJ 101 X (100)	B	5.5/31
R161	7030005040	S.RES ERJ2GEJ 472 X (4.7K)	T	12.9/27.3
R162	7030005050	S.RES ERJ2GEJ 103 X (10K)	T	8.7/29.1
R163	7030005050	S.RES ERJ2GEJ 103 X (10K)	T	14.1/29.8
R164	7030008410	S.RES ERJ2GEJ 392 X (3.9K)	T	15.7/27.8
R165	7030008410	S.RES ERJ2GEJ 392 X (3.9K)	T	12.6/31.9
R166	7030005240	S.RES ERJ2GEJ 473 X (47K)	T	12.6/36.1
R167	7030009290	S.RES ERJ2GEJ 562 X (5.6K)	T	15.7/29.8
R168	7030005000	S.RES ERJ2GEJ 471 X (470)	T	16.3/40.1
R169	7030005100	S.RES ERJ2GEJ 154 X (150K)	T	18/41.1
R170	7030008010	S.RES ERJ2GEJ 123 X (12K)	T	12.9/29.3
R171	7030005100	S.RES ERJ2GEJ 154 X (150K)	T	11.6/36.1
R172	7030005700	S.RES ERJ2GEJ 274 X (270K)	T	18/39.1
R173	7030005310	S.RES ERJ2GEJ 124 X (120K)	T	19.4/26.8
R174	7030005090	S.RES ERJ2GEJ 104 X (100K)	T	19.4/28.8
R175	7030005110	S.RES ERJ2GEJ 224 X (220K)	T	19.4/27.8
R176	7030005100	S.RES ERJ2GEJ 154 X (150K)	T	17.7/27.8
R177	7030005060	S.RES ERJ2GEJ 333 X (33K)	T	17.7/28.8
R178	7030005710	S.RES ERJ2GEJ 121 X (120)	T	19.4/30.7
R179	7030005120	S.RES ERJ2GEJ 102 X (1K)	B	11.5/16.8
R180	7030005160	S.RES ERJ2GEJ 105 X (1M)	T	24.7/40.1
R181	7030005240	S.RES ERJ2GEJ 473 X (47K)	T	21.1/40.1
R182	7030005090	S.RES ERJ2GEJ 104 X (100K)	T	24.7/39.1
R183	7030006020	S.RES RR0510P-682-D (6.8K)	B	17.2/39.1
R184	7030008250	S.RES RR0510P-562-D (5.6K)	B	17.7/40.4
R185	7030005310	S.RES ERJ2GEJ 124 X (120K)	B	18.7/40.4
R186	7030005080	S.RES ERJ2GEJ 823 X (82K)	T	19.4/29.8
R187	7030005120	S.RES ERJ2GEJ 102 X (1K)	B	9/18.2
R190	7030007280	S.RES ERJ2GEJ 331 X (330)	T	34.7/18.9
R191	7030008300	S.RES ERJ2GEJ 184 X (180K)	T	18/4.1
R192	7030005720	S.RES ERJ2GEJ 563 X (56K)	T	18/5.1
R193	7030005220	S.RES ERJ2GEJ 223 X (22K)	T	18/6.1
R194	7030005220	S.RES ERJ2GEJ 223 X (22K)	T	23.9/10.9
R195	7030005050	S.RES ERJ2GEJ 103 X (10K)	T	19.7/4.1
R196	7030005240	S.RES ERJ2GEJ 473 X (47K)	T	23.9/11.9
R197	7030005240	S.RES ERJ2GEJ 473 X (47K)	T	23.9/12.9
R198	7030005240	S.RES ERJ2GEJ 473 X (47K)	T	25.7/12.9
R200	7030005040	S.RES ERJ2GEJ 472 X (4.7K)	T	25.7/14.9
R201	7030005240	S.RES ERJ2GEJ 473 X (47K)	T	23.9/14.9
R206	7030005110	S.RES ERJ2GEJ 224 X (220K)	T	13.4/4.1
R207				



[MAIN UNIT]

REF NO.	PARTS NO.	DESCRIPTION	M.	H/V LOCATION
R232	7030007300	S.RES ERJ2GEJ 332 X (3.3K)	T	93.2/4.4
R233	7030007300	S.RES ERJ2GEJ 332 X (3.3K)	T	92.7/2.8
R234	7030005100	S.RES ERJ2GEJ 154 X (150K)	B	23.3/6.2
R235	7030005090	S.RES ERJ2GEJ 104 X (100K)	B	20.3/4.2
R236	7030005230	S.RES ERJ2GEJ 334 X (330K)	B	23.3/5.2
R237	7030005050	S.RES ERJ2GEJ 103 X (10K)	T	21.1/39.1
R238	7410001140	S.ARR EXB28V104JX	B	40.9/9.5
R240	7030005590	S.RES ERJ2GEJ 680 X (68)	T	99.7/12.9
R251	7030008010	S.RES ERJ2GEJ 123 X (12K)	B	5.9/9.1
R252	7030005530	S.RES ERJ2GEJ 100 X (10)	B	13.7/9.1
R254	7030008010	S.RES ERJ2GEJ 123 X (12K)	B	9.3/10.1
R255	7030008010	S.RES ERJ2GEJ 123 X (12K)	B	7.6/10.1
R256	7030005050	S.RES ERJ2GEJ 103 X (10K)	T	6/8.6
R257	7030005120	S.RES ERJ2GEJ 102 X (1K)	T	9/22.1
R258	7410001140	S.ARR EXB28V104JX	T	6.6/20.6
R259	7030005120	S.RES ERJ2GEJ 102 X (1K)	T	21.6/22.1
R260	7030005090	S.RES ERJ2GEJ 104 X (100K)	T	21.5/25
R261	7410001130	S.ARR EXB28V102JX	T	19.4/19.9
R262	7030005090	S.RES ERJ2GEJ 104 X (100K)	T	21.3/13.9
R263	7030005050	S.RES ERJ2GEJ 103 X (10K)	T	21.3/12.9
R264	7030005240	S.RES ERJ2GEJ 473 X (47K)	T	21.3/10.9
R265	7410001130	S.ARR EXB28V102JX	T	19.7/9.2
R266	7030007340	S.RES ERJ2GEJ 153 X (15K)	T	5.7/18.8
R271	7030005160	S.RES ERJ2GEJ 105 X (1M)	B	10/39.3
R272	7030005160	S.RES ERJ2GEJ 105 X (1M)	B	11/39.3
R273	7030005160	S.RES ERJ2GEJ 105 X (1M)	B	12/39.3
R274	7030005070	S.RES ERJ2GEJ 683 X (68K)	B	15/39.3
R275	7030005090	S.RES ERJ2GEJ 104 X (100K)	B	13/39.3
R276	7030005090	S.RES ERJ2GEJ 104 X (100K)	B	8/39.3
R277	7030005090	S.RES ERJ2GEJ 104 X (100K)	B	9/39.3
R278	7030005090	S.RES ERJ2GEJ 104 X (100K)	B	14/39.3
R280	7030005050	S.RES ERJ2GEJ 103 X (10K)	B	16.2/36.2
R284	7030004980	S.RES ERJ2GEJ 101 X (100)	B	16.3/27
R287	7030007280	S.RES ERJ2GEJ 331 X (330)	T	18.4/24
R288	7030005030	S.RES ERJ2GEJ 152 X (1.5K)	T	14.7/22.7
R291	7030005090	S.RES ERJ2GEJ 104 X (100K)	B	5.9/12.5
R292	7030005090	S.RES ERJ2GEJ 104 X (100K)	B	7.6/12.5
R293	7030008290	S.RES ERJ2GEJ 183 X (18K)	T	61.4/43.4
R294	7030005600	S.RES ERJ2GEJ 273 X (27K)	T	60.4/43.4
R295	7030005240	S.RES ERJ2GEJ 473 X (47K)	B	95.1/43.4
R296	7030003490	S.RES ERJ3GEYJ 272 V (2.7K)	B	91.8/35.3
R297	7030005120	S.RES ERJ2GEJ 102 X (1K)	T	91.3/36.2
R301	7030010040	S.RES ERJ2GEJ-JPW	B	93.1/22.4
R302	7030004990	S.RES ERJ2GEJ 221 X (220)	T	93.3/34.9
R303	7030005040	S.RES ERJ2GEJ 472 X (4.7K)	T	32.8/20.3
R304	7030005090	S.RES ERJ2GEJ 104 X (100K)	T	33.6/21.8
C1	4030017600	S.CER ECJ0EC1H080C [USA-02]	B	94.2/41.5
	4030017590	S.CER ECJ0EC1H070C [USA-03]		
	4030017600	S.CER ECJ0EC1H080C [EUR-02]		
	4030017600	S.CER ECJ0EC1H080C [BEA-02]		
	4030017600	S.CER ECJ0EC1H080C [GEN-02]		
	4030017590	S.CER ECJ0EC1H070C [GEN-03]		
	4030017600	S.CER ECJ0EC1H080C [USA-04]		
	4030017600	S.CER ECJ0EC1H080C [RUS-05]		
	4030017590	S.CER ECJ0EC1H070C [USA-05]		
	4030017600	S.CER ECJ0EC1H080C [CHN-02]		
	4030017600	S.CER ECJ0EC1H080C [CHN-01]		
C2	4030017350	S.CER ECJ0EC1H020B [USA-02]	B	93.2/36
	4030017550	S.CER ECJ0EC1H1R5B [USA-03]		
	4030017350	S.CER ECJ0EC1H020B [EUR-02]		
	4030017350	S.CER ECJ0EC1H020B [BEA-02]		
	4030017350	S.CER ECJ0EC1H020B [GEN-02]		
	4030017550	S.CER ECJ0EC1H1R5B [GEN-03]		
	4030017350	S.CER ECJ0EC1H020B [RUS-05]		
	4030017550	S.CER ECJ0EC1H1R5B [USA-04]		
	4030017350	S.CER ECJ0EC1H020B [RUS-05]		
	4030017550	S.CER ECJ0EC1H1R5B [USA-05]		
	4030017350	S.CER ECJ0EC1H020B [CHN-02]		
	4030017350	S.CER ECJ0EC1H020B [CHN-01]		
C3	4030017600	S.CER ECJ0EC1H080C [USA-02]	B	96.5/33.9
	4030017590	S.CER ECJ0EC1H070C [USA-03]		
	4030017600	S.CER ECJ0EC1H080C [EUR-02]		
	4030017600	S.CER ECJ0EC1H080C [BEA-02]		
	4030017600	S.CER ECJ0EC1H080C [GEN-02]		
	4030017590	S.CER ECJ0EC1H070C [GEN-03]		
	4030017600	S.CER ECJ0EC1H080C [USA-04]		
	4030017600	S.CER ECJ0EC1H080C [RUS-05]		
	4030017590	S.CER ECJ0EC1H070C [USA-05]		
	4030017600	S.CER ECJ0EC1H080C [CHN-02]		
	4030017600	S.CER ECJ0EC1H080C [CHN-01]		
C4	4030017560	S.CER ECJ0EC1H2R5B [USA-02]	B	94.9/33.9
C5	4030017570	S.CER ECJ0EC1H040B [USA-02]	B	94.6/30.2
	4030017360	S.CER ECJ0EC1H030B [USA-03]		
	4030017570	S.CER ECJ0EC1H040B [EUR-02]		
	4030017570	S.CER ECJ0EC1H040B [BEA-02]		
	4030017570	S.CER ECJ0EC1H040B [GEN-02]		
	4030017360	S.CER ECJ0EC1H030B [GEN-03]		
	4030017570	S.CER ECJ0EC1H040B [USA-04]		
	4030017570	S.CER ECJ0EC1H040B [RUS-05]		
	4030017360	S.CER ECJ0EC1H030B [USA-05]		
	4030017570	S.CER ECJ0EC1H040B [CHN-02]		
	4030017570	S.CER ECJ0EC1H040B [CHN-01]		
C6	4030017460	S.CER ECJ0EB1E102K [USA-02]	B	92.8/33.4
C7	4030017460	S.CER ECJ0EB1E102K [USA-03]	B	92.9/29.6
C8	4030017370	S.CER ECJ0EC1H3R5B [EUR-02]	B	93.2/28.1
	4030017580	S.CER ECJ0EC1H060C [USA-03]		
	4030017370	S.CER ECJ0EC1H3R5B [EUR-02]		
	4030017370	S.CER ECJ0EC1H3R5B [BEA-02]		
	4030017370	S.CER ECJ0EC1H3R5B [GEN-02]		
	4030017580	S.CER ECJ0EC1H060C [GEN-03]		
	4030017370	S.CER ECJ0EC1H3R5B [USA-04]		
	4030017370	S.CER ECJ0EC1H3R5B [RUS-05]		
	4030017580	S.CER ECJ0EC1H060C [USA-05]		

[MAIN UNIT]

REF NO.	PARTS NO.	DESCRIPTION	M.	H/V LOCATION
C8	4030017370	S.CER ECJ0EC1H3R5B [CHN-02]		
	4030017370	S.CER ECJ0EC1H3R5B [CHN-01]	B	93.2/28.1
C11	4030006980	S.CER C1608 CH 1H 070D-T [USA-02]	B	91.5/21.9
	4030009530	S.CER C1608 CH 1H 030B-T [USA-03]		
	4030006980	S.CER C1608 CH 1H 070D-T [EUR-02]		
	4030006980	S.CER C1608 CH 1H 070D-T [BEA-02]		
	4030006980	S.CER C1608 CH 1H 070D-T [GEN-02]		
	4030009530	S.CER C1608 CH 1H 030B-T [GEN-03]		
	4030006980	S.CER C1608 CH 1H 070D-T [USA-04]		
	4030006980	S.CER C1608 CH 1H 070D-T [RUS-05]		
	4030006980	S.CER C1608 CH 1H 070D-T [USA-05]		
	4030009530	S.CER C1608 CH 1H 030B-T [USA-05]		
	4030006980	S.CER C1608 CH 1H 070D-T [CHN-02]		
	4030006980	S.CER C1608 CH 1H 070D-T [CHN-01]		
C13	4030007020	S.CER C1608 CH 1H 120J-T [USA-02]	B	88.3/20.8
	4030007000	S.CER C1608 CH 1H 090D-T [USA-03]		
	4030007020	S.CER C1608 CH 1H 120J-T [EUR-02]		
	4030007020	S.CER C1608 CH 1H 120J-T [BEA-02]		
	4030007020	S.CER C1608 CH 1H 120J-T [GEN-02]		
	4030007000	S.CER C1608 CH 1H 090D-T [GEN-03]		
	4030007020	S.CER C1608 CH 1H 120J-T [USA-04]		
	4030007020	S.CER C1608 CH 1H 120J-T [RUS-05]		
	4030007000	S.CER C1608 CH 1H 090D-T [USA-05]		
	4030007020	S.CER C1608 CH 1H 120J-T [CHN-02]		
	4030007020	S.CER C1608 CH 1H 120J-T [CHN-01]		
C14	4030017570	S.CER ECJ0EC1H040B [USA-02]	B	86.8/38.7
C16	4030008560	S.CER C1608 CH 1H 300J-T [USA-03]	B	86.4/21.5
C17	4030017510	S.CER ECJ0EC1H680J [USA-02]	B	83.4/38.7
C18	4030006860	S.CER C1608 JB 1H 102K-T [EUR-02]	T	83.6/31.4
C19	4030017460	S.CER ECJ0EB1E102K [USA-02]	B	86/37.7
C20	4030017590	S.CER ECJ0EC1H070C [USA-02]	B	84.1/37.7
C21	4030017410	S.CER ECJ0EC1H240J [USA-03]	B	85.8/34.3
	4030017400	S.CER ECJ0EC1H220J [USA-03]		
	4030017410	S.CER ECJ0EC1H240J [EUR-02]		
	4030017410	S.CER ECJ0EC1H240J [BEA-02]		
	4030017410	S.CER ECJ0EC1H240J [GEN-02]		
	4030017400	S.CER ECJ0EC1H220J [GEN-03]		
	4030017410	S.CER ECJ0EC1H240J [USA-04]		
	4030017410	S.CER ECJ0EC1H240J [RUS-05]		
	4030017400	S.CER ECJ0EC1H220J [USA-05]		
	4030017410	S.CER ECJ0EC1H240J [CHN-02]		
	4030017410	S.CER ECJ0EC1H240J [CHN-01]		
C22	4030017600	S.CER ECJ0EC1H080C [USA-02]	B	84.1/36.7
	4030017610	S.CER ECJ0EC1H090C [USA-03]		
	4030017600	S.CER ECJ0EC1H080C [EUR-02]		
	4030017600	S.CER ECJ0EC1H080C [BEA-02]		
	4030017600	S.CER ECJ0EC1H080C [GEN-02]		
	4030017600	S.CER ECJ0EC1H080C [USA-04]		
	4030017610	S.CER ECJ0EC1H090C [RUS-05]		
	4030017400	S.CER ECJ0EC1H220J [USA-05]		
	4030017410	S.CER ECJ0EC1H240J [CHN-02]		
	4030017410	S.CER ECJ0EC1H240J [CHN-01]		
	4030017600	S.CER ECJ0EC1H080C [USA-02]		
	4030017610	S.CER ECJ0EC1H090C [USA-03]		
	4030017600	S.CER ECJ0EC1H080C [EUR-02]		
	4030017600	S.CER ECJ0EC1H080C [BEA-02]		
	4030017600	S.CER ECJ0EC1H080C [GEN-02]		
	4030017600	S.CER ECJ0EC1H080C [USA-04]		
	4030017610	S.CER ECJ0EC1H090C [RUS-05]		
	4030017400	S.CER ECJ0EC1H220J [USA-05]		
	4030017410	S.CER ECJ0EC1H240J [CHN-02]		
	4030017410	S.CER ECJ0EC1H240J [CHN-01]		
C23	4030017560	S.CER ECJ0EC1H2R5B [USA-02]	B	82/37.7
	4030017350	S.CER ECJ0EC1H020B [USA-03]		
	4030017560	S.CER ECJ0EC1H2R5B [EUR-02]		
	4030017560	S.CER ECJ0EC1H2R5B [BEA-02]		
	4030017560	S.CER ECJ0EC1H2R5B [GEN-02]		
	4030017350	S.CER ECJ0EC1H020B [GEN-03]		
	4030017560	S.CER ECJ0EC1H2R5B [USA-04]		
	4030017560	S.CER ECJ0EC1H2R5B [RUS-05]		
	4030017350	S.CER ECJ0EC1H020B [USA-05]		
	4030017560	S.CER ECJ0EC1H2R5B [CHN-02]		
	4030017560	S.CER ECJ0EC1H2R5B [CHN-01]		
C24	4030017410	S.CER ECJ0EC1H240J [USA-02]	B	79.7/33.2
C25	4030017600	S.CER ECJ0EC1H080C [USA-03]	B	80.4/36.1
C27	4030017460	S.CER ECJ0EB1E102K [EUR-02]	T	83.9/35.7
C28	4030017460	S.CER ECJ0EB1E102K [USA-02]	T	83.9/37.7
C30	4030017590	S.CER ECJ0EC1H070C [USA-05]	B	79.6/37.8
C31	4030017460	S.CER ECJ0EB1E102K [CHN-02]	T	80.4/37.2
C32	4030017460	S.CER ECJ0EB1E102K [CHN-01]	B	75.8/39.9
C33	4030017460	S.CER ECJ0EB1E102K [USA-02]	T	77.1/38.7
C34	4030017420	S.CER ECJ0EC1H470J [USA-03]	T	77.1/39.7
C35	4030016930	S.CER ECJ0EB1A104K [EUR-02]	T	78.8/37.7
C36	4030017460	S.CER ECJ0EB1E102K [BEA-02]	B	71.8/33.3
C37	4030017460	S.CER ECJ0EB1E102K [GEN-02]	B	73.4/34.2
C38	4030017350	S.CER ECJ0EC1H020B [GEN-03]	B	74.8/37.7
C39	4030017620	S.CER ECJ0EC1H100C [USA-04]	B	73.5/38.8
C40	4030017520	S.CER ECJ0EC1H0R3B [RUS-05]	B	73.5/39.8
C41	4030017380	S.CER ECJ0EC1H050B [USA-02]	B	68.5/39.2
	4030017570	S.CER ECJ0EC1H040B [USA-03]		
	4030017380	S.CER ECJ0EC1H050B [EUR-02]		
	4030017380	S.CER ECJ0EC1H050B [BEA-02]		
	4030017380	S.CER ECJ0EC1H050B [GEN-02]		
	4030017570	S.CER ECJ0EC1H040B [GEN-03]		
	4030017380	S.CER ECJ0EC1H050B [USA-04]		
	4030017380	S.CER ECJ0EC1H050B [RUS-05]		
	4030017570	S.CER ECJ0EC1H040B [USA-05]		
	4030017380	S.CER ECJ0EC1H050B [CHN-02]		
	403001738			

[MAIN UNIT]

REF NO.	PARTS NO.	DESCRIPTION	M.	H/V LOCATION			
C45	4030017630	S.CER ECJ0EC1H120J [EUR-02]	B	72.2/38.8			
	4030017630	S.CER ECJ0EC1H120J [BEA-02]					
	4030017630	S.CER ECJ0EC1H120J [GEN-02]					
	4030017620	S.CER ECJ0EC1H100C [GEN-03]					
	4030017630	S.CER ECJ0EC1H120J [USA-04]					
	4030017630	S.CER ECJ0EC1H120J [RUS-05]					
	4030017620	S.CER ECJ0EC1H100C [USA-05]					
	4030017630	S.CER ECJ0EC1H120J [CHN-02]					
	4030017630	S.CER ECJ0EC1H120J [CHN-01]					
	C46	4030017460			S.CER ECJ0EB1E102K	T	68.2/38.9
C48	4030017400	S.CER ECJ0EC1H220J	B	64.2/37.2			
C49	4030017350	S.CER ECJ0EC1H020B [USA-02]	B	64.2/39.9			
	4030017360	S.CER ECJ0EC1H030B [USA-03]					
	4030017350	S.CER ECJ0EC1H020B [EUR-02]					
	4030017350	S.CER ECJ0EC1H020B [BEA-02]					
	4030017350	S.CER ECJ0EC1H020B [GEN-02]					
	4030017360	S.CER ECJ0EC1H030B [GEN-03]					
	4030017350	S.CER ECJ0EC1H020B [USA-04]					
	4030017350	S.CER ECJ0EC1H020B [RUS-05]					
	4030017360	S.CER ECJ0EC1H030B [USA-05]					
	4030017350	S.CER ECJ0EC1H020B [CHN-02]					
	4030017350	S.CER ECJ0EC1H020B [CHN-01]					
	C50	4030017460			S.CER ECJ0EB1E102K	B	64.2/36.1
	C51	4030017460			S.CER ECJ0EB1E102K	B	66.1/32.1
	C52	4030017620			S.CER ECJ0EC1H100C	B	66.1/35.7
	C53	4030016790			S.CER ECJ0EB1C103K	B	64.2/33.1
C54	4030017460	S.CER ECJ0EB1E102K	B	64.2/34.1			
C55	4030017570	S.CER ECJ0EC1H040B	B	64.2/31.1			
C56	4030017400	S.CER ECJ0EC1H220J	B	64.3/23.8			
C57	4030017460	S.CER ECJ0EB1E102K	T	64.1/36.8			
C58	4030017460	S.CER ECJ0EB1E102K	B	53.9/24.3			
C59	4030017460	S.CER ECJ0EB1E102K	B	49.5/25.2			
C60	4030017460	S.CER ECJ0EB1E102K	B	52.5/26.9			
C61	4030017430	S.CER ECJ0EC1H101J	B	49.5/22.7			
C62	4030017510	S.CER ECJ0EC1H680J	B	47.5/17.6			
C63	4030017420	S.CER ECJ0EC1H470J	B	46.5/20.7			
C64	4030016790	S.CER ECJ0EB1C103K	T	49.7/16.3			
C65	4030017460	S.CER ECJ0EB1E102K	B	46.5/18.9			
C66	4030017460	S.CER ECJ0EB1E102K	B	47.5/13.7			
C67	4030017460	S.CER ECJ0EB1E102K	B	53.4/22.6			
C68	4030017440	S.CER ECJ0EC1H221J	B	51.8/13.7			
C69	4030017730	S.CER ECJ0EB1E471K	B	53.8/15.4			
C70	4030017730	S.CER ECJ0EB1E471K	B	54.8/13.7			
C71	4030016930	S.CER ECJ0EB1A104K	B	56.2/17.5			
C72	4030017420	S.CER ECJ0EC1H470J	T	69.8/18.7			
C73	4030017460	S.CER ECJ0EB1E102K	T	69.3/24			
C74	4030017460	S.CER ECJ0EB1E102K	T	93.3/37			
C75	4550005980	S.TAN TEESVA 1A 475M8R	B	53.8/11.4			
C76	4030016790	S.CER ECJ0EB1C103K	T	66.7/21.1			
C77	4030017460	S.CER ECJ0EB1E102K	T	65.7/22.7			
C78	4030017460	S.CER ECJ0EB1E102K	T	74.8/20.8			
C79	4030018890	S.CER ECJ0EB0J224K	T	72.3/21.1			
C80	4030017780	S.CER ECJ0EB1E472K	T	68/18.7			
C81	4030016790	S.CER ECJ0EB1C103K	B	77.2/21.5			
C82	4030017460	S.CER ECJ0EB1E102K	B	78.2/21.5			
C83	4030017620	S.CER ECJ0EC1H100C [USA-03]	T	81.3/22.3			
	4030017620	S.CER ECJ0EC1H100C [GEN-03]					
	4030017620	S.CER ECJ0EC1H100C [USA-05]					
	4030017420	S.CER ECJ0EC1H470J					
	C84	4030017420			S.CER ECJ0EC1H470J [USA-02]	T	81.3/20.5
	C86	4030017420			S.CER ECJ0EC1H470J [USA-03]	T	78.7/24.3
		4030017650			S.CER ECJ0EC1H270J [USA-02]		
		4030017420			S.CER ECJ0EC1H470J [EUR-02]		
		4030017420			S.CER ECJ0EC1H470J [BEA-02]		
		4030017420			S.CER ECJ0EC1H470J [GEN-02]		
4030017650		S.CER ECJ0EC1H270J [GEN-03]					
4030017420		S.CER ECJ0EC1H470J [USA-04]					
4030017420		S.CER ECJ0EC1H470J [RUS-05]					
4030017650		S.CER ECJ0EC1H270J [USA-05]					
4030017420		S.CER ECJ0EC1H470J [CHN-02]					
4030017420		S.CER ECJ0EC1H470J [CHN-01]					
C88		4030017460	S.CER ECJ0EB1E102K	T	73.1/24		
C89		4030017570	S.CER ECJ0EC1H040B [USA-02]	T	75.5/24.4		
		4030017570	S.CER ECJ0EC1H040B [EUR-02]				
		4030017570	S.CER ECJ0EC1H040B [BEA-02]				
	4030017570	S.CER ECJ0EC1H040B [GEN-02]					
	4030017570	S.CER ECJ0EC1H040B [USA-04]					
	4030017570	S.CER ECJ0EC1H040B [RUS-05]					
	4030017570	S.CER ECJ0EC1H040B [USA-05]					
	4030017570	S.CER ECJ0EC1H040B [CHN-02]					
	4030017570	S.CER ECJ0EC1H040B [CHN-01]					
	C91	4510009280	S.ELE EEE1EA4R75R			B	69.7/20.3
	C92	4030017630	S.CER ECJ0EC1H120J			T	74.6/30.9
	C93	4030017380	S.CER ECJ0EC1H050B [USA-02]			T	70.9/33.5
		4030017600	S.CER ECJ0EC1H080C [USA-03]				
		4030017380	S.CER ECJ0EC1H050B [EUR-02]				
		4030017380	S.CER ECJ0EC1H050B [BEA-02]				
4030017380		S.CER ECJ0EC1H050B [GEN-02]					
4030017600		S.CER ECJ0EC1H080C [GEN-03]					
4030017380		S.CER ECJ0EC1H050B [USA-04]					
4030017380		S.CER ECJ0EC1H050B [RUS-05]					
4030017600		S.CER ECJ0EC1H080C [USA-05]					
4030017380		S.CER ECJ0EC1H050B [CHN-02]					
4030017380		S.CER ECJ0EC1H050B [CHN-01]					
C94		4030017730	S.CER ECJ0EB1E471K	T	70.3/24		
C96		4030017460	S.CER ECJ0EB1E102K [USA-03]	T	73.8/36		
		4030017460	S.CER ECJ0EB1E102K [GEN-03]				
		4030017460	S.CER ECJ0EB1E102K [USA-05]				
C97	4030017420	S.CER ECJ0EC1H470J	T	74.8/36			
C98	4030017380	S.CER ECJ0EC1H050B [USA-02]	T	66.1/33.9			
	4030017620	S.CER ECJ0EC1H100C [USA-03]					
	4030017380	S.CER ECJ0EC1H050B [EUR-02]					
	4030017380	S.CER ECJ0EC1H050B [BEA-02]					
	4030017380	S.CER ECJ0EC1H050B [GEN-02]					
	4030017380	S.CER ECJ0EC1H050B [RUS-05]					
	4030017620	S.CER ECJ0EC1H100C [GEN-03]					

[MAIN UNIT]

REF NO.	PARTS NO.	DESCRIPTION	M.	H/V LOCATION			
C98	4030017380	S.CER ECJ0EC1H050B [RUS-05]	T	66.1/33.9			
	4030017620	S.CER ECJ0EC1H100C [USA-05]					
	4030017380	S.CER ECJ0EC1H050B [CHN-02]					
	4030017380	S.CER ECJ0EC1H050B [CHN-01]					
	C99	4030017460			S.CER ECJ0EB1E102K	T	68.3/36.3
C100	4030017620	S.CER ECJ0EC1H100C	B	61.3/36.1			
C102	4030017380	S.CER ECJ0EC1H050B	T	59.5/34.3			
C103	4030017350	S.CER ECJ0EC1H020B	B	58.2/35.1			
C104	4030017460	S.CER ECJ0EB1E102K	T	58.9/29.4			
C105	4030017460	S.CER ECJ0EB1E102K	B	58.6/37.1			
C106	4030017420	S.CER ECJ0EC1H470J	B	70.2/33.9			
C107	4030017460	S.CER ECJ0EB1E102K	T	70.6/36.3			
C108	4030016790	S.CER ECJ0EB1C103K	T	69.7/36.3			
C109	4030017460	S.CER ECJ0EB1E102K	B	57.6/41.3			
C110	4030017730	S.CER ECJ0EB1E471K	B	55.7/30.5			
C111	4030017420	S.CER ECJ0EC1H470J	B	56.3/34.4			
C112	4030017460	S.CER ECJ0EB1E102K	T	60.2/38.6			
C113	4030017520	S.CER ECJ0EC1H0R3B	T	56.1/32.6			
C114	4030017580	S.CER ECJ0EC1H060C [USA-02]	T	51.9/36.5			
	4030017360	S.CER ECJ0EC1H030B [USA-03]					
	4030017580	S.CER ECJ0EC1H060C [EUR-02]					
	4030017580	S.CER ECJ0EC1H060C [BEA-02]					
	4030017580	S.CER ECJ0EC1H060C [GEN-02]					
	4030017360	S.CER ECJ0EC1H030B [GEN-03]					
	4030017580	S.CER ECJ0EC1H060C [USA-04]					
	4030017580	S.CER ECJ0EC1H060C [RUS-05]					
	4030017360	S.CER ECJ0EC1H030B [USA-05]					
	4030017580	S.CER ECJ0EC1H060C [CHN-02]					
	4030017580	S.CER ECJ0EC1H060C [CHN-01]					
	C115	4030017630			S.CER ECJ0EC1H120J [USA-02]	T	55.7/35.7
	4030017570	S.CER ECJ0EC1H040B [USA-03]					
	4030017630	S.CER ECJ0EC1H120J [EUR-02]					
	4030017630	S.CER ECJ0EC1H120J [BEA-02]					
4030017630	S.CER ECJ0EC1H120J [GEN-02]						
4030017570	S.CER ECJ0EC1H040B [GEN-03]						
4030017630	S.CER ECJ0EC1H120J [USA-04]						
4030017630	S.CER ECJ0EC1H120J [RUS-05]						
4030017570	S.CER ECJ0EC1H040B [USA-05]						
4030017630	S.CER ECJ0EC1H120J [CHN-02]						
4030017630	S.CER ECJ0EC1H120J [CHN-01]						
C116	4030016790	S.CER ECJ0EB1C103K	T	56.5/37.9			
C117	4030017730	S.CER ECJ0EB1E471K	T	56.5/36.9			
C118	4030017530	S.CER ECJ0EC1H0R5B	T	56.1/33.9			
C119	4030017460	S.CER ECJ0EB1E102K	T	56.6/31.6			
C120	4030017730	S.CER ECJ0EB1E471K	T	57.5/28.7			
C121	4030017630	S.CER ECJ0EC1H120J [USA-02]	T	52.6/30			
	4030017380	S.CER ECJ0EC1H050B [USA-03]					
	4030017630	S.CER ECJ0EC1H120J [EUR-02]					
	4030017630	S.CER ECJ0EC1H120J [BEA-02]					
	4030017630	S.CER ECJ0EC1H120J [GEN-02]					
	4030017380	S.CER ECJ0EC1H050B [GEN-03]					
	4030017630	S.CER ECJ0EC1H120J [USA-04]					
	4030017630	S.CER ECJ0EC1H120J [RUS-05]					
	4030017630	S.CER ECJ0EC1H120J [USA-05]					
	4030017630	S.CER ECJ0EC1H120J [CHN-02]					
	4030017630	S.CER ECJ0EC1H120J [CHN-01]					
	C122	4030017620			S.CER ECJ0EC1H100C [USA-02]	T	53.1/28.6
	4030017570	S.CER ECJ0EC1H040B [USA-03]					
	4030017620	S.CER ECJ0EC1H100C [EUR-02]					
	4030017620	S.CER ECJ0EC1H100C [BEA-02]					
4030017620	S.CER ECJ0EC1H100C [GEN-02]						
4030017620	S.CER ECJ0EC1H100C [USA-04]						
4030017620	S.CER ECJ0EC1H100C [RUS-05]						
4030017570	S.CER ECJ0EC1H040B [USA-05]						
4030017620	S.CER ECJ0EC1H100C [CHN-02]						
4030017620	S.CER ECJ0EC1H100C [CHN-01]						
C123	4030017620	S.CER ECJ0EC1H100C [USA-02]	T	52.6/31			
4030017390	S.CER ECJ0EC1H180J [USA-01]						
4030017640	S.CER ECJ0EC1H150J [USA-03]						
4030017390	S.CER ECJ0EC1H180J [EUR-02]						
4030017390	S.CER ECJ0EC1H180J [BEA-02]						
4030017390	S.CER ECJ0EC1H180J [GEN-02]						
4030017640	S.CER ECJ0EC1H150J [USA-04]						
4030017390	S.CER ECJ0EC1H180J [RUS-05]						
4030017390	S.CER ECJ0EC1H180J [USA-05]						
4030017390	S.CER ECJ0EC1H180J [CHN-02]						
4030017390	S.CER ECJ0EC1H180J [CHN-01]						
C124	4030017620	S.CER ECJ0EC1H100C [USA-02]			T	51.1/29	
4030017380	S.CER ECJ0EC1H050C [USA-03]						
4030017620	S.CER ECJ0EC1H100C [EUR-02]						
4030017620	S.CER ECJ0EC1H100C [BEA-02]						
4030017620	S.CER ECJ0EC1H100C [GEN-02]						
4030017380	S.CER ECJ0EC1H050C [GEN-03]						
4030017620	S.CER ECJ0EC1H100C [USA-04]						
4030017620	S.CER ECJ0EC1H100C [RUS-05]						
4030017380	S.CER ECJ0EC1H050C [USA-05]						
4030017620	S.CER ECJ0EC1H100C [CHN-02]						
4030017620	S.CER ECJ0EC1H100C [CHN-01]						
C126	4030017630	S.CER ECJ0EC1H120J	T	51.9/37.7			
C127	4030017610	S.CER ECJ0EC1H090C [USA-02]	T	50.5/37.5			
	4030017380	S.CER ECJ0EC1H050B [USA-03]					
4030017610	S.CER ECJ0EC1H090C	T	51.1/29				
4030017610	S.CER ECJ0EC1H090C [BEA-02]	T	51.1/29				
4030017610	S.CER ECJ0EC1H090C [GEN-02]	T	51.1/29				
4030017380	S.CER ECJ0EC1H050B [GEN-03]	T	51.1/29				
4030017610	S.CER ECJ0EC1H090C [USA-04]	T	51.1/29				
4030017610	S.CER ECJ0EC1H090C [RUS-05]	T	51.1/29				
4030017380	S.CER ECJ0EC1H050B [USA-05]	T	51.1/29				
4030017610	S.CER ECJ0EC1H090C [CHN-02]	T	51.1/29				
4030017610	S.CER ECJ0EC1H090C [CHN-01]	T	51.1/29				
C129	4030017530	S.CER ECJ0EC1H0R5B	T	48.4/31.4			
C130	4030016950	S.CER ECJ0EB1A473K	B	49.3/39.1			
C132	4030017460	S.CER ECJ0EB1E102K	B	46.9/27.1			



[MAIN UNIT]

REF NO.	PARTS NO.	DESCRIPTION	M.	H/V LOCATION	
C133	4030017390	S.CER ECJ0EC1H180J [USA-02]	T	51.1/31	
	4030017640	S.CER ECJ0EC1H150J [USA-03]			
	4030017390	S.CER ECJ0EC1H180J [EUR-02]			
	4030017390	S.CER ECJ0EC1H180J [BEA-02]			
	4030017390	S.CER ECJ0EC1H180J [GEN-02]			
	4030017640	S.CER ECJ0EC1H150J [GEN-03]			
	4030017390	S.CER ECJ0EC1H180J [USA-04]			
	4030017390	S.CER ECJ0EC1H180J [RUS-05]			
	4030017640	S.CER ECJ0EC1H150J [USA-05]			
	4030017390	S.CER ECJ0EC1H180J [CHN-02]			
	4030017390	S.CER ECJ0EC1H180J [CHN-01]			
	C134	4030017390	S.CER ECJ0EC1H180J [USA-02]	T	50.6/36.3
		4030017630	S.CER ECJ0EC1H120J [USA-03]		
4030017390		S.CER ECJ0EC1H180J [EUR-02]			
4030017390		S.CER ECJ0EC1H180J [BEA-02]			
4030017390		S.CER ECJ0EC1H180J [GEN-02]			
4030017630		S.CER ECJ0EC1H120J [GEN-03]			
4030017390		S.CER ECJ0EC1H180J [USA-04]			
4030017390		S.CER ECJ0EC1H180J [RUS-05]			
4030017630		S.CER ECJ0EC1H120J [USA-05]			
4030017390		S.CER ECJ0EC1H180J [CHN-02]			
4030017390		S.CER ECJ0EC1H180J [CHN-01]			
C135		4030017460	S.CER ECJ0EB1E102K	T	48.4/34.4
C136		4030016930	S.CER ECJ0EB1A104K	T	48.4/35.4
C137	4030016790	S.CER ECJ0EB1C103K	T	57.7/44.1	
C138	4030017460	S.CER ECJ0EB1E102K	B	49.6/28.4	
C139	4030016930	S.CER ECJ0EB1A104K	B	56.7/28.9	
C140	4030016930	S.CER ECJ0EB1A104K	T	43.4/34.7	
C141	4030017460	S.CER ECJ0EB1E102K	B	50.1/42.4	
C142	4030017460	S.CER ECJ0EB1E102K	T	42.9/21	
C143	4030017460	S.CER ECJ0EB1E102K	B	52/42.3	
C144	4030017420	S.CER ECJ0EC1H470J	B	49.6/29.3	
C145	4030017420	S.CER ECJ0EC1H470J	B	47.1/23.9	
C146	4550002070	S.TAN TEESVA 1E 474M8R	B	52.6/32.7	
C147	4550000460	S.TAN TEESVA 1C 105M8R	B	47.5/41.4	
C148	4550006250	S.TAN TEESVA 1A 106M8R	T	50.1/44.1	
C149	4030017460	S.CER ECJ0EB1E102K	T	43.8/39.1	
C150	4030018860	S.CER ECJ0EB0J105K	T	43.9/22.7	
C151	4030016930	S.CER ECJ0EB1A104K	T	40.2/40.8	
C152	4030017420	S.CER ECJ0EC1H470J	T	35.3/41.1	
C153	4030017420	S.CER ECJ0EC1H470J	T	37.2/41.1	
C154	4030017420	S.CER ECJ0EC1H470J	T	38/39.1	
C155	4030017420	S.CER ECJ0EC1H470J	T	43.8/38.1	
C156	4030017460	S.CER ECJ0EB1E102K	T	39.5/32	
C157	4030017620	S.CER ECJ0EC1H100C	T	38.5/32	
C158	4030016930	S.CER ECJ0EB1A104K	T	36.1/31.4	
C159	4030017460	S.CER ECJ0EB1E102K	T	36.1/32.4	
C160	4030016930	S.CER ECJ0EB1A104K	B	20.2/33.7	
C161	4030017620	S.CER ECJ0EC1H100C	T	43.4/33.7	
C162	4030017500	S.CER ECJ0EC1H560J	T	43.9/28.1	
C163	4030017570	S.CER ECJ0EC1H040B	T	42.5/27.6	
C164	4030017590	S.CER ECJ0EC1H070C	T	43.9/27.1	
C165	4030016790	S.CER ECJ0EB1C103K	T	43.4/31.7	
C166	4030017360	S.CER ECJ0EC1H030B	T	43.2/24.7	
C167	4030016930	S.CER ECJ0EB1A104K	B	55.8/23.3	
C168	4030016930	S.CER ECJ0EB1A104K	B	56.6/19.8	
C169	4030016930	S.CER ECJ0EB1A104K	B	56.6/18.8	
C170	4030017460	S.CER ECJ0EB1E102K	T	91.5/34.2	
C171	4030017420	S.CER ECJ0EC1H470J	T	91.5/35.2	
C173	4030017460	S.CER ECJ0EB1E102K	T	82.3/37.3	
C175	4030017360	S.CER ECJ0EC1H030B [USA-02]	B	97.1/41.5	
	4030017560	S.CER ECJ0EC1H2R5B [USA-03]			
	4030017360	S.CER ECJ0EC1H030B [EUR-02]			
	4030017360	S.CER ECJ0EC1H030B [BEA-02]			
	4030017360	S.CER ECJ0EC1H030B [GEN-02]			
	4030017560	S.CER ECJ0EC1H2R5B [GEN-03]			
	4030017360	S.CER ECJ0EC1H030B [USA-04]			
	4030017360	S.CER ECJ0EC1H030B [RUS-05]			
	4030017560	S.CER ECJ0EC1H2R5B [USA-05]			
	4030017360	S.CER ECJ0EC1H030B [CHN-02]			
	4030017360	S.CER ECJ0EC1H030B [CHN-01]			
C176	4030017460	S.CER ECJ0EB1E102K	T	77.7/20.4	
C177	4030009910	S.CER C1608 CH 1H 040B-T [USA-02]	B	90.7/33.4	
	4030009910	S.CER C1608 CH 1H 040B-T [USA-03]			
	4030009910	S.CER C1608 CH 1H 040B-T [EUR-02]			
	4030009910	S.CER C1608 CH 1H 040B-T [BEA-02]			
	4030009910	S.CER C1608 CH 1H 040B-T [GEN-02]			
	4030009910	S.CER C1608 CH 1H 040B-T [GEN-03]			
	4030009910	S.CER C1608 CH 1H 040B-T [USA-04]			
	4030009910	S.CER C1608 CH 1H 040B-T [RUS-05]			
	4030017570	S.CER ECJ0EC1H040B [USA-05]			
	4030009910	S.CER C1608 CH 1H 040B-T [CHN-02]			
	4030009910	S.CER C1608 CH 1H 040B-T [CHN-01]			
C178	4030017420	S.CER ECJ0EC1H470J	T	77.7/21.3	
C179	4030006860	S.CER C1608 JB 1H 102K-T	T	86.6/31.4	
C180	4030017420	S.CER ECJ0EC1H470J	T	67.1/32.3	
C182	4030017600	S.CER ECJ0EC1H080C [USA-02]	T	68.8/31.6	
	4030017590	S.CER ECJ0EC1H070C [USA-03]			
	4030017600	S.CER ECJ0EC1H080C [EUR-02]			
	4030017600	S.CER ECJ0EC1H080C [BEA-02]			
	4030017600	S.CER ECJ0EC1H080C [GEN-02]			
	4030017590	S.CER ECJ0EC1H070C [GEN-03]			
	4030017600	S.CER ECJ0EC1H080C [USA-04]			
	4030017600	S.CER ECJ0EC1H080C [RUS-05]			
	4030017590	S.CER ECJ0EC1H070C [USA-05]			
	4030017600	S.CER ECJ0EC1H080C [CHN-02]			
	4030017600	S.CER ECJ0EC1H080C [CHN-01]			
C183	4030017420	S.CER ECJ0EC1H470J	T	74.1/24	
C185	4030017530	S.CER ECJ0EC1HOR5B	B	90.7/35.7	
C186	4030017530	S.CER ECJ0EC1HOR5B	B	92.1/38.7	
C188	4030017460	S.CER ECJ0EB1E102K	B	47.5/20.7	
C196	4030017420	S.CER ECJ0EC1H470J	B	62.5/39	
C197	4030017460	S.CER ECJ0EB1E102K	B	62.5/39.9	
C202	4030016930	S.CER ECJ0EB1A104K	T	48.4/33.4	

[MAIN UNIT]

REF NO.	PARTS NO.	DESCRIPTION	M.	H/V LOCATION
C203	4030017460	S.CER ECJ0EB1E102K	B	46.9/30.1
C205	4030017380	S.CER ECJ0EC1H050B	B	56.3/39.7
C206	4030017590	S.CER ECJ0EC1H070C	B	55.9/41.3
C208	4030017590	S.CER ECJ0EC1H070C	B	54.2/42.3
C209	4030017460	S.CER ECJ0EB1E102K	B	54.2/43.3
C211	4030018910	S.CER C1608 JB 0J 475K-T	B	36.1/21.9
C213	4030017460	S.CER ECJ0EB1E102K	T	31.5/27.8
C221	4030016930	S.CER ECJ0EB1A104K	T	32.3/31.6
C222	4030016930	S.CER ECJ0EB1A104K	T	19.2/34
C223	4030016930	S.CER ECJ0EB1A104K	B	29.7/9
C224	4030016930	S.CER ECJ0EB1A104K	T	40.9/29.1
C225	4030017460	S.CER ECJ0EB1E102K	B	83/11.6
C226	4550005980	S.TAN TEESVA 1A 475M8R	B	81.2/13.5
C227	4030016790	S.CER ECJ0EB1C103K	B	86.9/13
C228	4510008540	S.ELE EEE1CA100SR	B	89.4/15.7
C229	4030017460	S.CER ECJ0EB1E102K	B	85.8/17.8
C230	4030016930	S.CER ECJ0EB1A104K	B	85.8/16.8
C231	4030016790	S.CER ECJ0EB1C103K	T	74/13.3
C232	4030017730	S.CER ECJ0EB1E471K	T	76.2/13.3
C233	4030016790	S.CER ECJ0EB1C103K	T	24.5/23
C234	4030017460	S.CER ECJ0EB1E102K	T	24.2/27.8
C235	4030016790	S.CER ECJ0EB1C103K	T	69.8/15.7
C236	4030017460	S.CER ECJ0EB1E102K	T	69.8/17.7
C237	4510008660	S.ELE EEE0JA220SR	B	76/15.5
C238	4030017460	S.CER ECJ0EB1E102K	B	77/18.4
C241	4030016930	S.CER ECJ0EB1A104K	T	35.4/9.9
C242	4030016930	S.CER ECJ0EB1A104K	T	44.7/9.9
C243	4030016790	S.CER ECJ0EB1C103K	T	40.5/9.9
C244	4030016930	S.CER ECJ0EB1A104K	B	46.5/15.4
C251	4030016970	S.CER ECJ0EB1C223K	T	33.4/17.1
C252	4030017740	S.CER ECJ0EB1E821K	T	29.9/16.1
C253	4030017740	S.CER ECJ0EB1E821K	T	33.4/14.9
C254	4030016930	S.CER ECJ0EB1A104K	T	33.4/10.9
C255	4030016950	S.CER ECJ0EB1A473K	B	34.5/12.1
C256	4030016940	S.CER ECJ0EB1A393K	T	29.9/28.1
C257	4030016930	S.CER ECJ0EB1A104K	T	29.9/30.1
C258	4030017790	S.CER ECJ0EB1E682K	T	26.6/30.1
C259	4030018860	S.CER ECJ0EB0J105K	T	31.5/41.1
C260	4030017730	S.CER ECJ0EB1E471K	T	29.8/39.1
C261	4030016930	S.CER ECJ0EB1A104K	T	31.5/40.1
C264	4510008540	S.ELE EEE1CA100SR	B	69.7/15.5
C265	4030017460	S.CER ECJ0EB1E102K	B	64.4/12.3
C266	4030016930	S.CER ECJ0EB1A104K	B	63/8.5
C269	4030017720	S.CER ECJ0EB1H331K	T	11.6/37.9
C270	4030016950	S.CER ECJ0EB1A473K	T	14.1/28.8
C271	4030016950	S.CER ECJ0EB1A473K	T	14.1/26.8
C272	4030016950	S.CER ECJ0EB1A473K	T	10.6/28.5
C273	4030016950	S.CER ECJ0EB1A473K	T	14.1/27.8
C274	4030016950	S.CER ECJ0EB1A473K	T	11.6/31.9
C275	4030016970	S.CER ECJ0EB1C223K	T	11.6/34.4
C276	4030016950	S.CER ECJ0EB1A473K	T	12.6/34.4
C277	4030016930	S.CER ECJ0EB1A104K	T	14.6/40.1
C278	4030017430	S.CER ECJ0EC1H101J	T	18/40.1
C279	4030018910	S.CER C1608 JB 0J 475K-T	T	36.9/23.2
C280	4030017780	S.CER ECJ0EB1E472K	T	21.3/27.8
C281	4030018920	S.CER ECJ0EB1H392K	T	17.7/26.8
C282	4030017710	S.CER ECJ0EC1H181J	T	17.7/29.8
C283	4030018900	S.CER ECJ0EB0J474K	T	19.4/31.7
C284	4030016930	S.CER ECJ0EB1A104K	T	22.9/39.1
C285	4030016930	S.CER ECJ0EB1A104K	T	22.9/40.1
C286	4030017460	S.CER ECJ0EB1E102K	B	16.7/40.4
C287	4550006250	S.TAN TEESVA 1A 106M8R	B	21.8/40.7
C288	4030017460	S.CER ECJ0EB1E102K	B	17.2/38.4
C289	4030016930	S.CER ECJ0EB1A104K	B	20.2/31
C290	4030016930	S.CER ECJ0EB1A104K	T	27.5/16.2
C291	4030016780	S.CER ECJ0EB1C153K	T	25.7/10.9
C292	4030016930	S.CER ECJ0EB1A104K	T	25.7/13.9
C293	4030017740	S.CER ECJ0EB1E821K	T	25.7/11.9
C295	4030018110	S.CER ECJ0EB1H272K	T	29.1/5.1
C296	4030018240	S.CER ECJ0EB1E562K	T	29.1/6.1
C297	4030017710	S.CER ECJ0EC1H181J	T	27.1/7.1
C298	4030018090	S.CER ECJ0EB1C822K	T	31/7.1
C299	4030017510	S.CER ECJ0EC1H680J	T	31/5.1
C300	4030017450	S.CER ECJ0		

[MAIN UNIT]

REF NO.	PARTS NO.	DESCRIPTION	M.	H/V LOCATION
C342	4030017630	S.CER ECJ0EC1H120J	B	18.3/4.2
C343	4030017580	S.CER ECJ0EC1H060C	B	5.6/4.2
C344	4030017640	S.CER ECJ0EC1H150J	B	7.6/9.1
C345	4030016930	S.CER ECJ0EB1A104K	B	11/11.2
C346	4030016930	S.CER ECJ0EB1A104K	B	11/10.1
C347	4030016790	S.CER ECJ0EB1C103K	T	8.8/6.5
C348	4030016930	S.CER ECJ0EB1A104K	T	6/10
C349	4030016930	S.CER ECJ0EB1A104K	T	21.3/14.9
C350	4030017460	S.CER ECJ0EB1E102K	T	59.4/43.4
C354	4030017460	S.CER ECJ0EB1E102K	T	14.2/24.4
C355	4030018080	S.CER ECJ0EB1H182K	T	42.9/22.7
C356	4030018910	S.CER C1608 JB 0J 475K-T	T	34.6/20.6
C357	4030017400	S.CER ECJ0EC1H220J	T	79/25.5
	4030017400	S.CER ECJ0EC1H220J	[USA-02]	
	4030017400	S.CER ECJ0EC1H220J	[EUR-02]	
	4030017400	S.CER ECJ0EC1H220J	[BEA-02]	
	4030017400	S.CER ECJ0EC1H220J	[GEN-02]	
	4030017400	S.CER ECJ0EC1H220J	[USA-04]	
	4030017400	S.CER ECJ0EC1H220J	[RUS-05]	
	4030017400	S.CER ECJ0EC1H220J	[CHN-02]	
	4030017400	S.CER ECJ0EC1H220J	[CHN-01]	
J1	6510021901	S.CON BM02B-ASRS-TF(LF)(SN)	T	86.6/6.8
J2	6450001680	CON HSJ1122-010010		
J3	6450002250	CON HSJ1456-010320		
J4	6510018430	S.CON AXN330C038P	B	11.8/30.6
F1	5210000830	S.FUS ERBFE3R00U	T	98/14.5
DS1	5040002670	S.LED CL-165HR/YG	T	102.8/12.4
MC1	7700002750	MIC EM9745P-38-G <HOR>		
S1	2260002840	SWI SKHLLFA010		
S2	2260002800	S.SWI SW-167 (SKQTLAE010)	B	99.4/44.2
S3	2260002800	S.SWI SW-167 (SKQTLAE010)	B	60.9/44.2
S4	2250000490	ENC TP70TF5163-15.9F-2775		
EP1	6910015370	S.BEA ACZ1005Y-102-T	T	57/29.9
EP3	6910015370	S.BEA ACZ1005Y-102-T	T	34.7/32
MP1	8410002531	S.HEA 2681 PA HEATSINK-1	B	79/28.2
MP3	8510016470	S.CAS 2775 VCO CASE	T	54.1/33.2

[MAIN-B UNIT]

REF NO.	PARTS NO.	DESCRIPTION	M.	H/V LOCATION
IC1	1110003201	S.IC TA31136FNG(EL)	B	51.8/19
IC2	1130000851	S.IC TC75S51F(TE85L,F)	T	68.9/21
IC4	1140005991	S.IC MB15A02PFV1-G-BND-ERE1	T	38.3/35.7
IC5	1110005340	S.IC NJM12902V-TE1-#ZZZB	T	29.7/11.6
IC6	1110005320	S.IC NJM13403V-TE1-#ZZZB	T	15.9/34.6
IC7	1110005330	S.IC NJM12904V-TE1-#ZZZB	T	29.2/34.6
IC8	1190000350	S.IC M62363FP-650C	T	40.3/15.2
IC9	1110005350	S.IC NJM2870F05-TE1-#FZZB	B	84.2/14.2
IC10	1130011770	S.IC CD4066BPWR	T	22.9/34.6
IC12	1110001811	S.IC TA7368FG(5,ER)	T	89.3/13.2
IC13	1140012721	S.IC HD6433687C73FPV(FX-2775A-1)	T	12.5/14.3
IC14	1110006260	S.IC BD5242G-TR	T	6.6/5.9
IC15	1130011540	S.IC BR24L16FV-WE2	B	16/11.6
Q1	1560000841	S.FET 2SK1829(TE85R,F)	T	75/39.6
Q2	1580000731	S.FET 3SK293(TE85L,F)	B	76.8/37.9
Q3	1580000800	S.FET 3SK324UG-TL-E	B	66.2/37.9
Q4	1530002601	S.TRA 2SC4215-O(TE85R,F)	B	51.4/23.1
Q5	1530000371	S.TRA 2SC3356-T1B S (R25)	T	74.3/33.5
Q6	1590003230	S.TRA UNR9113J-(TX)	T	72.5/19.1
Q7	1560001232	S.FET RD07MVS2-T112	T	82.6/27
Q8	1560001241	S.FET RD01MUS1-T113	T	76.1/27.5
Q9	1530003311	S.TRA 2SC5107-O(TE85R,F)	T	67/30.3
Q10	1530003311	S.TRA 2SC5107-O(TE85R,F)	T	59.4/36.3
Q11	1530003311	S.TRA 2SC5107-O(TE85R,F)	B	56.3/37
Q12	1530003311	S.TRA 2SC5107-O(TE85R,F)	T	59/31.5
Q13	1530002920	S.TRA 2SC4226-T1 R25	T	54.9/30.7
Q14	1530002920	S.TRA 2SC4226-T1 R25	T	54.2/37.1
Q15	1590001400	S.TRA XP1214(TX)	B	56.5/32.6
Q16	1590003290	S.TRA UNR9213J-(TX)	B	59.1/32.6
Q17	1530002851	S.TRA 2SC4116-BL(TE85R,F)	T	55.5/44.1
Q18	1560000541	S.FET 2SK880-Y(T5RICOM,F)	B	51.5/40.4
Q19	1530002851	S.TRA 2SC4116-BL(TE85R,F)	T	43.3/29.9
Q21	1510000920	S.TRA 2SA1577 T106 Q	T	71.9/16.4
Q22	1510000920	S.TRA 2SA1577 T106 Q	T	24.9/25.9
Q23	1520000460	S.TRA 2SB1132 T100 R	T	81/15.2
Q24	1590001190	S.TRA XP6501-(TX).AB	T	76.3/15.1
Q25	1590003230	S.TRA UNR9113J-(TX)	T	75.7/11.7
Q26	1590003290	S.TRA UNR9213J-(TX)	T	49.7/18.4
Q27	1590003290	S.TRA UNR9213J-(TX)	T	24.8/16.7
Q28	1590003430	S.TRA UNR911HJ-(TX)	B	63.1/10.6
Q29	1590003270	S.TRA UNR9210J-(TX)	B	35.7/9.2
Q30	1510001080	S.TRA 2SA2048 TLR	T	91.9/8.6
Q31	1590001190	S.TRA XP6501-(TX).AB	T	91.4/5.2
Q32	1590003020	S.TRA XP4216-(TX)	T	16.5/23.1
Q33	1590003230	S.TRA UNR9113J-(TX)	T	19.9/22.5
Q34	1560001360	S.FET 2SK3019 TL	T	10.7/30.1
Q35	1560001360	S.FET 2SK3019 TL	T	9.1/26.6
D1	1750001080	S.DIO RB886G T2R	B	90.2/38.7
D2	1750000581	S.DIO 1SV307(TPH3,F)	B	91.5/31.1
D3	1750000711	S.VAR HVC350BTRF-E	B	87.5/33.5
D4	1750000711	S.VAR HVC350BTRF-E	B	87.5/34.8
D5	1790001260	S.DIO MA2S077-(TX)	B	87.4/36.7
D6	1790001240	S.DIO MA2S728-(TX)	B	85/39.9
D7	1750000711	S.VAR HVC350BTRF-E	B	81.8/33.5
D8	1750000711	S.VAR HVC350BTRF-E	B	81.8/34.8
D9	1750000711	S.VAR HVC350BTRF-E	B	73.6/35.9
D10	1750000711	S.VAR HVC350BTRF-E	B	72.2/35.9
D14	1790001260	S.DIO MA2S077-(TX)	T	65.8/35.3
D15	1790001260	S.DIO MA2S077-(TX)	T	65.8/36.7
D16	1750000771	S.VAR HVC376BTRF-E	T	52.6/38.9
D17	1750000771	S.VAR HVC376BTRF-E	T	49.4/28.3
D18	1720000570	S.VAR MA368(TX)	B	49.6/26.9
D21	1750000831	S.VAR HVC362TRF-E	T	50.5/33.7
D22	1750000831	S.VAR HVC362TRF-E	T	50.5/35.2
D24	1790001250	S.DIO MA2S111-(TX)	T	41.5/39.2
D25	1790001250	S.DIO MA2S111-(TX)	T	70.5/40.4
D26	1790001790	S.DIO RB876W TL	B	35.7/7.1
D27	1750000520	S.DIO DAN222TL	B	21.3/6
D28	1790001260	S.DIO MA2S077-(TX)	B	8.5/11.2
D29	1750000940	S.DIO ISS400 TE61	B	23.1/4
D30	1750001080	S.DIO RB886G T2R	T	88.5/36.2
F11	2030000150	S.MON DSF753SB 46.350 MHz(FL-335)	B	62.8/27.1
F12	2020001840	CER ALFYM450F=K		
F13	20400001440	S.LC NFE31PT152Z1E9L (NFM60R20T152)	B	81.2/17.8
X1	6070000191	S.DIS CDBKB450KCAY24-R0	T	54.4/20
X2	6050011940	S.XTA CR-783 TTS14VSB-A6 15.3 MHz	T	36.9/28.9
X3	6050011720	S.XTA CR-764 SMD-49TB 19.6608 MHz	B	12/5.9
L1	6200012490	S.COI 0.30-0.9-6TR 13.6N <COMO>	B	94.7/36.4
L2	6200013010	S.COI 0.30-0.9-5TL 10.3N <COMO>	B	94.8/31.9
L3	6200012610	S.COI 0.40-0.9-2TL 2.8N <COMO>	B	92.9/26.3
L4	6200012610	S.COI 0.40-0.9-2TL 2.8N <COMO>	B	89.9/20.6
L5	6200010850	S.COI LQW18AN22NG00D (LQW1608A22NG00)	B	89.1/36.5
L7	6200007710	S.COI LQW2BHN27NJ03L	B	84.3/34.5
L8	6200007710	S.COI LQW2BHN27NJ03L	B	78.9/35.3
L9	6200007230	S.COI LQW2BHN15NJ03L	B	75.9/35.2
L11	6200007690	S.COI LQW2BHN18NJ03L	B	70.6/37.8
L12	6200011001	S.COI ELJRF 56NJFB	B	64.2/39
L13	6200007850	S.COI ELJNC R82K-F	B	66.8/33.9
L15	6200002851	S.COI NLV25T-R82J	T	93.8/31.8
L17	6200012980	S.COI 0.40-1.4-5TR 18.3N <COMO>	B	81.2/20.9
L19	6200005681	S.COI ELJRE 15NGFA	T	76/35.5
L20	6200005691	S.COI ELJRE 18NGFA	T	68.8/33.1

M.=Mounted side (T: Mounted on the Top side, B: Mounted on the Bottom side) S.=Surface mount

[MAIN-B UNIT]

REF NO.	PARTS NO.	DESCRIPTION	M.	H/V LOCATION
L21	6200007881	S.COI ELJRF 33NJFB	T	59.2/38.6
L22	6200007901	S.COI ELJRF 22NJFB	T	59.5/33.3
L23	6200002851	S.COI NLV25T-R82J	T	55.2/28.1
L25	6200013630	S.COI 0.30-0.9-3TR 5.8N 5PER <COMO>	T	49.5/29.9
L26	6200013580	S.COI 0.30-0.9-4TR 5PER <COMO>	T	49/37.9
L27	6200004951	S.COI NLV25T-1R8J	B	52.8/29
L28	6200004951	S.COI NLV25T-1R8J	B	52/36.6
L29	6200004660	S.COI MLF1608A 1R8K-T	T	43.9/36.4
L30	6200007881	S.COI ELJRF 33NJFB	B	85.1/38.7
L32	6200007911	S.COI ELJRF 18NJFB	B	55.9/42.3
L33	6200004480	S.COI MLF1608D R82K-T	T	43.4/25.9
L35	6200003540	S.COI MLF1608D R22K-T	T	41.7/31.8
L38	6200005711	S.COI ELJRE 27NGFA	B	65.6/40.7
L40	6200002851	S.COI NLV25T-R82J	T	53.6/34.6
L41	6200011001	S.COI ELJRF 56NJFB	B	58.4/38.2
L42	6200004951	S.COI NLV25T-1R8J	B	49.4/34
L43	6200004951	S.COI NLV25T-1R8J	B	49.4/31.1
L45	6200012490	S.COI 0.30-0.9-6TR 13.6N <COMO>	B	94.9/39.6
R1	7030003490	S.RES ERJ3GEYJ 272 V (2.7K)	B	91.8/39.9
R2	7030005120	S.RES ERJ2GEJ 102 X (1K)	B	92.1/37.7
R3	7030004970	S.RES ERJ2GEJ 470 X (47)	T	66.7/22.7
R4	7030005050	S.RES ERJ2GEJ 103 X (10K)	T	75.8/20.8
R5	7030005050	S.RES ERJ2GEJ 103 X (10K)	T	73.3/21.1
R6	7030005090	S.RES ERJ2GEJ 104 X (100K)	T	66.7/18.2
R7	7030005310	S.RES ERJ2GEJ 124 X (120K)	T	68/17.7
R8	7030005170	S.RES ERJ2GEJ 474 X (470K)	T	71.3/21.1
R9	7030008280	S.RES ERJ2GEJ 271 X (270)	T	71.3/22.4
R10	7030005120	S.RES ERJ2GEJ 102 X (1K)	T	68.4/24
R11	7030005090	S.RES ERJ2GEJ 104 X (100K)	T	85.5/36.7
R12	7030005530	S.RES ERJ2GEJ 100 X (10)	T	77.5/37.5
R13	7030005090	S.RES ERJ2GEJ 104 X (100K)	T	82.3/35.7
R14	7030005050	S.RES ERJ2GEJ 103 X (10K)	T	83.9/36.7
R15	7030005240	S.RES ERJ2GEJ 473 X (47K)	B	79.1/39
R16	7030004980	S.RES ERJ2GEJ 101 X (100)	B	74.8/39.9
R17	7030004970	S.RES ERJ2GEJ 470 X (47)	B	74/33.3
R18	7030005050	S.RES ERJ2GEJ 103 X (10K)	T	78.8/36.7
R19	7030005080	S.RES ERJ2GEJ 823 X (82K)	T	78.8/38.7
R20	7030005120	S.RES ERJ2GEJ 102 X (1K)	B	75.9/33.6
R21	7030005110	S.RES ERJ2GEJ 224 X (220K)	T	72.2/38.9
R22	7030005050	S.RES ERJ2GEJ 103 X (10K)	T	69.2/38.9
R23	7030005110	S.RES ERJ2GEJ 224 X (220K)	T	71.2/38.9
R24	7030005050	S.RES ERJ2GEJ 103 X (10K)	T	64.6/38
R25	7030007340	S.RES ERJ2GEJ 153 X (15K)	B	68/37.8
R26	7030007340	S.RES ERJ2GEJ 153 X (15K)	B	64.2/38.1
R27	7030005310	S.RES ERJ2GEJ 124 X (120K)	B	62.5/38.1
R28	7030005080	S.RES ERJ2GEJ 823 X (82K)	B	62.5/40.8
R29	7030004980	S.RES ERJ2GEJ 101 X (100)	B	64.2/35.1
R30	7030005000	S.RES ERJ2GEJ 471 X (470)	B	67.7/35.7
R31	7030004980	S.RES ERJ2GEJ 101 X (100)	B	64.2/32.1
R32	7030004980	S.RES ERJ2GEJ 101 X (100)	B	66.1/31.1
R33	7030007270	S.RES ERJ2GEJ 151 X (150)	B	55.5/25.2
R34	7030005110	S.RES ERJ2GEJ 224 X (220K)	B	52.5/25.2
R35	7030004980	S.RES ERJ2GEJ 101 X (100)	B	50.5/25.2
R36	7030007300	S.RES ERJ2GEJ 332 X (3.3K)	T	52.5/15.5
R37	7030009140	S.RES ERJ2GEJ 272 X (2.7K)	T	50.7/16.3
R38	7030005090	S.RES ERJ2GEJ 104 X (100K)	T	46.5/21
R39	7030004970	S.RES ERJ2GEJ 470 X (47)	B	55.8/22.3
R40	7030007270	S.RES ERJ2GEJ 151 X (150)	B	56.2/21.1
R43	7030004970	S.RES ERJ2GEJ 470 X (47)	B	47.5/15.4
R44	7030005090	S.RES ERJ2GEJ 104 X (100K)	B	54.8/15.4
R45	7030005090	S.RES ERJ2GEJ 104 X (100K)	B	52.8/13.7
R46	7030005000	S.RES ERJ2GEJ 471 X (470)	B	53.8/13.7
R48	7030005000	S.RES ERJ2GEJ 471 X (470)	B	51.5/25.2
R50	7030004980	S.RES ERJ2GEJ 101 X (100)	T	66.3/38
R51	7030003670	S.RES ERJ3GEYJ 823 V (82K)	B	96.5/37.3
R52	7030004990	S.RES ERJ2GEJ 221 X (220)	T	93.3/35.9
R53	7030005530	S.RES ERJ2GEJ 100 X (10)	T	80/22.5
R54	7030005060	S.RES ERJ2GEJ 333 X (33K)	T	81.3/21.6
R55	7030005040	S.RES ERJ2GEJ 472 X (4.7K)	T	80/20.9
R56	7030003860	S.RES ERJ3GE JPW V	T	78/22.4
R57	7030004970	S.RES ERJ2GEJ 470 X (47)	T	75.2/23.2
R59	7030005040	S.RES ERJ2GEJ 472 X (4.7K)	T	71.2/24
R61	7030004970	S.RES ERJ2GEJ 470 X (47)	T	71.8/36.3
R62	7030005220	S.RES ERJ2GEJ 223 X (22K)	T	72.1/35
R65	7030004980	S.RES ERJ2GEJ 101 X (100)	T	69.4/34.2
R66	7030007340	S.RES ERJ2GEJ 153 X (15K)	T	67.8/34.2
R67	7030004980	S.RES ERJ2GEJ 101 X (100)	T	67.8/35.1
R68	7030005050	S.RES ERJ2GEJ 103 X (10K)	T	69.4/35.1
R69	7030005040	S.RES ERJ2GEJ 472 X (4.7K)	T	64.1/35.2
R70	7030005530	S.RES ERJ2GEJ 100 X (10)	B	57.6/40.3
R71	7030005070	S.RES ERJ2GEJ 683 X (68K)	T	58.2/38.6
R73	7030004980	S.RES ERJ2GEJ 101 X (100)	B	57.7/30.5
R75	7030005110	S.RES ERJ2GEJ 224 X (220K)	B	58.4/36.1
R76	7030004980	S.RES ERJ2GEJ 101 X (100)	B	57.6/39.3
R77	7030005050	S.RES ERJ2GEJ 103 X (10K)	B	56.7/30.5
R78	7030005090	S.RES ERJ2GEJ 104 X (100K)	T	57.8/33.3
R79	7030006020	S.RES RR0510P-682-D (6.8K)	T	56.5/39.1
R80	7030005000	S.RES ERJ2GEJ 471 X (470)	B	54.6/32.8
R82	7030009320	S.RES ERJ2GEJ 4R7 X (4.7)	T	52.6/32
R83	7030006020	S.RES RR0510P-682-D (6.8K)	T	54.1/32.6
R84	7030006020	S.RES RR0510P-682-D (6.8K)	T	52.1/28.6
R85	7030006020	S.RES RR0510P-682-D (6.8K)	T	54.7/39.1
R86	7030005530	S.RES ERJ2GEJ 100 X (10)	B	48.2/28.8
R87	7030005110	S.RES ERJ2GEJ 224 X (220K)	B	48.1/25.3
R88	7030009280	S.RES ERJ2GEJ 391 X	B	54.6/31
R89	7030005050	S.RES ERJ2GEJ 103 X (10K)	B	49.3/41.2
R90	7030005170	S.RES ERJ2GEJ 474 X (470K)	B	46.9/25.1
R92	7030005310	S.RES ERJ2GEJ 124 X (120K)	B	46.9/26.1
R93	7030005120	S.RES ERJ2GEJ 102 X (1K)	T	39.8/39.4
R94	7030005100	S.RES ERJ2GEJ 154 X (150K)	T	41.8/40.8
R95	7030005120	S.RES ERJ2GEJ 102 X (1K)	B	49.9/36.4
R96	7030008410	S.RES ERJ2GEJ 392 X (3.9K)	B	49.3/40.1

[MAIN-B UNIT]

REF NO.	PARTS NO.	DESCRIPTION	M.	H/V LOCATION
R97	7030005120	S.RES ERJ2GEJ 102 X (1K)	B	49.3/38.1
R98	7030007290	S.RES ERJ2GEJ 222 X (2.2K)	B	53.5/44.1
R100	7030005040	S.RES ERJ2GEJ 472 X (4.7K)	T	52.9/38.8
R101	7030005000	S.RES ERJ2GEJ 471 X (470)	B	51.4/43.3
R103	7030005240	S.RES ERJ2GEJ 473 X (47K)	T	33.1/27.8
R104	7030005230	S.RES ERJ2GEJ 334 X (330K)	T	31.5/26.9
R105	7030005170	S.RES ERJ2GEJ 474 X (470K)	T	32.6/29.1
R106	7030005050	S.RES ERJ2GEJ 103 X (10K)	T	37.5/32
R107	7030005580	S.RES ERJ2GEJ 560 X (56)	B	55.9/43.3
R108	7030005060	S.RES ERJ2GEJ 333 X (33K)	T	44.9/21
R109	7030005100	S.RES ERJ2GEJ 154 X (150K)	T	43.9/21
R110	7030005240	S.RES ERJ2GEJ 473 X (47K)	B	21.8/34.3
R111	7030005090	S.RES ERJ2GEJ 104 X (100K)	T	27.1/28.9
R113	7030006610	S.RES ERJ2GEJ 394 X (390K)	B	46.9/31.1
R114	7030005110	S.RES ERJ2GEJ 224 X (220K)	B	46.9/29.1
R115	7030007570	S.RES ERJ2GEJ 122 X (1.2K)	T	40.5/32
R116	7030007060	S.RES ERJ2GEJ 684X (680K)	T	43.4/32.7
R117	7030005040	S.RES ERJ2GEJ 472 X (4.7K)	T	35.3/40.1
R118	7030005040	S.RES ERJ2GEJ 472 X (4.7K)	T	37.2/40.1
R123	7030008400	S.RES ERJ2GEJ 182 X (1.8K)	T	75.2/37.7
R124	7030005170	S.RES ERJ2GEJ 474 X (470K)	T	72.7/40.4
R125	7030005110	S.RES ERJ2GEJ 224 X (220K)	T	73.2/38.9
R131	7510001730	S.THE ERTJOEP 473J	T	40.9/28.1
R132	7030010080	S.RES ERJ2RHD 104 X (100K)	T	40.9/27.1
R133	7030005050	S.RES ERJ2GEJ 103 X (10K)	T	84.1/14.2
R134	7030007290	S.RES ERJ2GEJ 222 X (2.2K)	T	74/14.3
R135	7030005050	S.RES ERJ2GEJ 103 X (10K)	T	24.5/24
R136	7030005040	S.RES ERJ2GEJ 472 X (4.7K)	T	22.8/24
R137	7030005050	S.RES ERJ2GEJ 103 X (10K)	T	69.8/14.7
R138	7030005040	S.RES ERJ2GEJ 472 X (4.7K)	T	69.8/16.7
R141	7030005000	S.RES ERJ2GEJ 471 X (470)	T	37/9.9
R142	7030005000	S.RES ERJ2GEJ 471 X (470)	T	43/9.9
R143	7030007340	S.RES ERJ2GEJ 153 X (15K)	T	37.2/24.4
R144	7030005050	S.RES ERJ2GEJ 103 X (10K)	B	46.5/10.7
R145	7030005090	S.RES ERJ2GEJ 104 X (100K)	T	33.4/18.1
R146	7030005090	S.RES ERJ2GEJ 104 X (100K)	T	31.6/18.1
R147	7030007350	S.RES ERJ2GEJ 393 X (39K)	T	33.4/16.4
R148	7030005080	S.RES ERJ2GEJ 823 X (82K)	T	31.6/16.1
R149	7030006610	S.RES ERJ2GEJ 394 X (390K)	T	33.4/12.9
R150	7030008300	S.RES ERJ2GEJ 184 X (180K)	T	33.4/11.9
R151	7030005030	S.RES ERJ2GEJ 152 X (1.5K)	T	33.4/13.9
R152	7030005220	S.RES ERJ2GEJ 223 X (22K)	T	31.1/29.6
R153	7030005220	S.RES ERJ2GEJ 223 X (22K)	T	29.9/29.1
R154	7030005220	S.RES ERJ2GEJ 223 X (22K)	T	28.2/30.1
R155	7030005090	S.RES ERJ2GEJ 104 X (100K)	T	29.8/41.1
R156	7030005170	S.RES ERJ2GEJ 474 X (470K)	T	29.8/40.1
R157	7030007290	S.RES ERJ2GEJ 222 X (2.2K)	T	31.5/39.1
R159	7030008010	S.RES ERJ2GEJ 123 X (12K)	T	15.7/28.8
R160	7030004980	S.RES ERJ2GEJ 101 X (100)	B	5.5/31
R161	7030005040	S.RES ERJ2GEJ 472 X (4.7K)	T	12.9/27.3
R162	7030005050	S.RES ERJ2GEJ 103 X (10K)	T	8.7/29.1
R163	7030005050	S.RES ERJ2GEJ 103 X (10K)	T	14.1/29.8
R164	7030008410	S.RES ERJ2GEJ 392 X (3.9K)	T	15.7/27.8
R165	7030008410	S.RES ERJ2GEJ 392 X (3.9K)	T	12.6/31.9
R166	7030005240	S.RES ERJ2GEJ 473 X (47K)	T	12.6/36.1
R167	7030009290	S.RES ERJ2GEJ 562 X (5.6K)	T	15.7/29.8
R168	7030005000	S.RES ERJ2GEJ 471 X (470)	T	16.3/40.1
R169	7030005100	S.RES ERJ2GEJ 154 X (150K)	T	18/41.1
R170	7030008010	S.RES ERJ2GEJ 123 X (12K)	T	12.9/29.3
R171	7030005100	S.RES ERJ2GEJ 154 X (150K)	T	11.6/36.1
R172	7030005110	S.RES ERJ2GEJ 224 X (220K)	T	18/39.1
R173	7030005310	S.RES ERJ2GEJ 124 X (120K)	T	19.4/26.8
R174	7030005090	S.RES ERJ2GEJ 104 X (100K)	T	19.4/28.8
R175	7030008300	S.RES ERJ2GEJ 184 X (180K)	T	19.4/27.8
R176	7030005100	S.RES ERJ2GEJ 154 X (150K)	T	17.7/27.8
R177	7030005060	S.RES ERJ2GEJ 333 X (33K)	T	17.7/28.8
R178	7030005710	S.RES ERJ2GEJ 121 X (12K)	T	19.4/30.7
R179	7030005120	S.RES ERJ2GEJ 102 X (1K)	B	11.5/16.8
R180	7030005160	S.RES ERJ2GEJ 105 X (1M)	T	24.7/40.1
R181	7030005240	S.RES ERJ2GEJ 473 X (47K)	T	21.1/40.1
R182	7030005090	S.RES ERJ2GEJ 104 X (100K)	T	24.7/39.1
R183	7030006020	S.RES RR0510P-682-D (6.8K)	B	17.2/39.1
R184	7030008250	S.RES RR0510P-562-D (5.6K)	B	17.7/40.4
R186	7030005080	S.RES ERJ2GEJ 823 X (82K)	T	19.4/29.8
R187	7030005120	S.RES ERJ2GEJ 102 X (1K)	B	9/18.2
R190	7030007280	S.RES ERJ2GEJ 331 X (330)	T	34.7/18.9
R191	7030008300	S.RES ERJ2GEJ 184 X (180K)	T	18/41.1
R192	7030005720	S.RES ERJ2GEJ 563 X (56K)	T	18/5.1
R193	7030005220	S.RES ERJ2GEJ 223 X (22K)	T	18/6.1
R194	7030005220	S.RES ERJ2GEJ 223 X (22K)	T	23.9/10.9
R195	7030005050	S.RES ERJ2GEJ 103 X (10K)		



[MAIN-B UNIT]

REF NO.	PARTS NO.	DESCRIPTION	M.	H/V LOCATION
R228	7030005120	S.RES ERJ2GEJ 102 X (1K)	T	94.2/15.2
R229	7030005530	S.RES ERJ2GEJ 100 X (10)	T	86/9.7
R230	7030005530	S.RES ERJ2GEJ 100 X (10)	T	87.2/17.2
R231	7030005120	S.RES ERJ2GEJ 102 X (1K)	T	90.6/2.8
R232	7030007300	S.RES ERJ2GEJ 332 X (3.3K)	T	93.2/4.4
R233	7030007300	S.RES ERJ2GEJ 332 X (3.3K)	T	92.7/2.8
R234	7030005100	S.RES ERJ2GEJ 154 X (150K)	B	23.3/6.2
R235	7030005090	S.RES ERJ2GEJ 104 X (100K)	B	20.3/4.2
R236	7030005230	S.RES ERJ2GEJ 334 X (330K)	B	23.3/5.2
R237	7030005050	S.RES ERJ2GEJ 103 X (10K)	T	21.1/39.1
R238	7410001140	S.ARR EXB28V104JX	B	40.9/9.5
R240	7030005590	S.RES ERJ2GEJ 680 X (68)	T	99.7/12.9
R251	7030008010	S.RES ERJ2GEJ 123 X (12K)	B	5.9/9.1
R252	7030005530	S.RES ERJ2GEJ 100 X (10)	B	13.7/9.1
R254	7030008010	S.RES ERJ2GEJ 123 X (12K)	B	9.3/10.1
R255	7030008010	S.RES ERJ2GEJ 123 X (12K)	B	7.6/10.1
R256	7030005050	S.RES ERJ2GEJ 103 X (10K)	T	6/8.6
R257	7030005120	S.RES ERJ2GEJ 102 X (1K)	T	9/22.1
R258	7410001140	S.ARR EXB28V104JX	T	6.6/20.6
R259	7030005120	S.RES ERJ2GEJ 102 X (1K)	T	21.6/22.1
R260	7030005090	S.RES ERJ2GEJ 104 X (100K)	T	21.5/25
R261	7410001130	S.ARR EXB28V102JX	T	19.4/19.9
R262	7030005090	S.RES ERJ2GEJ 104 X (100K)	T	21.3/13.9
R263	7030005050	S.RES ERJ2GEJ 103 X (10K)	T	21.3/12.9
R264	7030005240	S.RES ERJ2GEJ 473 X (47K)	T	21.3/10.9
R265	7410001130	S.ARR EXB28V102JX	T	19.7/9.2
R266	7030007340	S.RES ERJ2GEJ 153 X (15K)	C	5.7/18.8
R271	7030005160	S.RES ERJ2GEJ 105 X (1M)	B	10/39.3
R272	7030005160	S.RES ERJ2GEJ 105 X (1M)	B	11/39.3
R273	7030005160	S.RES ERJ2GEJ 105 X (1M)	B	12/39.3
R274	7030005070	S.RES ERJ2GEJ 683 X (68K)	B	15/39.3
R275	7030005090	S.RES ERJ2GEJ 104 X (100K)	B	13/39.3
R276	7030005090	S.RES ERJ2GEJ 104 X (100K)	B	8/39.3
R277	7030005090	S.RES ERJ2GEJ 104 X (100K)	B	9/39.3
R278	7030005090	S.RES ERJ2GEJ 104 X (100K)	B	14/39.3
R280	7030005050	S.RES ERJ2GEJ 103 X (10K)	B	16.2/36.2
R284	7030004980	S.RES ERJ2GEJ 101 X (100)	B	16.3/27
R287	7030007280	S.RES ERJ2GEJ 331 X (330)	T	18.4/24
R288	7030005030	S.RES ERJ2GEJ 152 X (1.5K)	B	14.7/22.7
R291	7030005090	S.RES ERJ2GEJ 104 X (100K)	B	5.9/12.5
R292	7030005090	S.RES ERJ2GEJ 104 X (100K)	B	7.6/12.5
R293	7030008290	S.RES ERJ2GEJ 183 X (18K)	T	61.4/43.4
R294	7030005600	S.RES ERJ2GEJ 273 X (27K)	T	60.4/43.4
R295	7030005240	S.RES ERJ2GEJ 473 X (47K)	B	95.1/43.4
R296	7030003490	S.RES ERJ3GEVJ 272 V (2.7K)	B	91.8/35.3
R297	7030005120	S.RES ERJ2GEJ 102 X (1K)	T	91.3/36.2
R301	7030010040	S.RES ERJ2GEJ-JPW	B	93.1/22.4
R302	7030004990	S.RES ERJ2GEJ 221 X (22K)	T	93.3/34.9
R303	7030005040	S.RES ERJ2GEJ 472 X (4.7K)	T	32.8/20.3
R304	7030005090	S.RES ERJ2GEJ 104 X (100K)	T	33.6/21.8
C1	4030017620	S.CER ECJ0EC1H100C	B	94.2/41.5
C2	4030017370	S.CER ECJ0EC1H3R5B	B	93.2/36
C3	4030017620	S.CER ECJ0EC1H100C	B	96.5/33.9
C4	4030017570	S.CER ECJ0EC1H040B	B	94.9/33.9
C5	4030017580	S.CER ECJ0EC1H060C	B	94.6/30.2
C6	4030017460	S.CER ECJ0EB1E102K	B	92.8/33.4
C7	4030017460	S.CER ECJ0EB1E102K	B	92.9/29.6
C8	4030017380	S.CER ECJ0EC1H050B	B	93.2/28.1
C11	4030009990	S.CER C1608 CH 1H 200J-T	B	91.5/21.9
C13	4030009650	S.CER C1608 CH 1H 240J-T	B	88.3/20.8
C14	4030017570	S.CER ECJ0EC1H040B	B	86.8/38.7
C16	4030008560	S.CER C1608 CH 1H 300J-T	B	86.4/21.5
C17	4030017510	S.CER ECJ0EC1H680J	B	83.4/38.7
C19	4030017620	S.CER ECJ0EC1H100C	B	86/37.7
C20	4030017590	S.CER ECJ0EC1H070C	B	84.1/37.7
C21	4030017660	S.CER ECJ0EC1H330J	B	85.8/34.3
C22	4030017600	S.CER ECJ0EC1H080C	B	84.1/36.7
C23	4030017560	S.CER ECJ0EC1H2R5B	B	82/37.7
C24	4030017660	S.CER ECJ0EC1H330J	B	79.7/33.2
C25	4030017610	S.CER ECJ0EC1H090C	B	80.4/36.1
C27	4030017460	S.CER ECJ0EB1E102K	T	83.9/35.7
C28	4030017460	S.CER ECJ0EB1E102K	T	83.9/37.7
C30	4030017590	S.CER ECJ0EC1H070C	B	79.6/37.8
C31	4030017460	S.CER ECJ0EB1E102K	T	80.4/37.2
C32	4030017460	S.CER ECJ0EB1E102K	B	75.8/39.9
C33	4030017460	S.CER ECJ0EB1E102K	T	77.1/38.7
C34	4030017420	S.CER ECJ0EC1H470J	T	77.1/39.7
C35	4030016930	S.CER ECJ0EB1A104K	T	78.8/37.7
C36	4030017460	S.CER ECJ0EB1E102K	B	71.8/33.3
C37	4030017460	S.CER ECJ0EB1E102K	B	73.4/34.2
C38	4030017570	S.CER ECJ0EC1H040B	B	74.8/37.7
C39	4030017630	S.CER ECJ0EC1H120J	B	73.5/38.8
C40	4030017520	S.CER ECJ0EC1H0R3B	B	73.5/39.8
C41	4030017380	S.CER ECJ0EC1H050B	B	68.5/39.2
C42	4030017460	S.CER ECJ0EB1E102K	B	68.5/37.7
C43	4030017460	S.CER ECJ0EB1E102K	B	70.2/38.9
C44	4030017350	S.CER ECJ0EC1H020B	B	69/37.8
C45	4030017630	S.CER ECJ0EC1H120J	B	72.2/38.8
C46	4030017460	S.CER ECJ0EB1E102K	T	68.2/38.9
C48	4030017400	S.CER ECJ0EC1H220J	B	64.2/37.2
C49	4030017380	S.CER ECJ0EC1H050B	B	64.2/39.9
C50	4030017460	S.CER ECJ0EB1E102K	B	64.2/36.1
C51	4030017460	S.CER ECJ0EB1E102K	B	66.1/32.1
C52	4030017620	S.CER ECJ0EC1H100C	B	66.1/35.7
C53	4030016790	S.CER ECJ0EB1C103K	B	64.2/33.1
C54	4030017460	S.CER ECJ0EB1E102K	B	64.2/34.1
C56	4030017400	S.CER ECJ0EC1H220J	B	64.3/23.8
C57	4030017460	S.CER ECJ0EB1E102K	T	64.1/36.8
C58	4030017460	S.CER ECJ0EB1E102K	B	53.9/24.3
C59	4030017460	S.CER ECJ0EB1E102K	B	49.5/25.2
C60	4030017460	S.CER ECJ0EB1E102K	B	52.5/26.9
C61	4030017430	S.CER ECJ0EC1H101J	B	49.5/22.7

[MAIN-B UNIT]

REF NO.	PARTS NO.	DESCRIPTION	M.	H/V LOCATION
C62	4030017510	S.CER ECJ0EC1H680J	B	47.5/17.6
C63	4030017420	S.CER ECJ0EC1H470J	B	46.5/20.7
C64	4030016790	S.CER ECJ0EB1C103K	T	49.7/16.3
C65	4030017460	S.CER ECJ0EB1E102K	B	46.5/18.9
C66	4030017460	S.CER ECJ0EB1E102K	B	47.5/13.7
C67	4030017460	S.CER ECJ0EB1E102K	B	53.4/22.6
C68	4030017440	S.CER ECJ0EC1H221J	B	51.8/13.7
C69	4030017730	S.CER ECJ0EB1E471K	B	53.8/15.4
C70	4030017730	S.CER ECJ0EB1E471K	B	54.8/13.7
C71	4030016930	S.CER ECJ0EB1A104K	B	56.2/17.5
C72	4030017420	S.CER ECJ0EC1H470J	T	69.8/18.7
C73	4030017460	S.CER ECJ0EB1E102K	T	69.3/24
C74	4030017460	S.CER ECJ0EB1E102K	T	93.3/37
C75	4550005980	S.TAN TEESVA 1A 475M8R	B	53.8/11.4
C76	4030016790	S.CER ECJ0EB1C103K	T	66.7/21.1
C77	4030017460	S.CER ECJ0EB1E102K	T	65.7/22.7
C78	4030017460	S.CER ECJ0EB1E102K	T	74.8/20.8
C79	4030018890	S.CER ECJ0EB0J224K	T	72.3/21.1
C80	4030017780	S.CER ECJ0EB1E472K	T	68/18.7
C81	4030016790	S.CER ECJ0EB1C103K	B	77.2/21.5
C82	4030017460	S.CER ECJ0EB1E102K	B	78.2/21.5
C84	4030017420	S.CER ECJ0EC1H470J	T	81.3/20.5
C86	4030017500	S.CER ECJ0EC1H560J	T	78.7/24.3
C88	4030017460	S.CER ECJ0EB1E102K	T	73.1/24
C89	4030017570	S.CER ECJ0EC1H040B	T	75.5/24.4
C91	4510009280	S.ELLE EEE1EA4R7SR	B	69.7/20.3
C92	4030017660	S.CER ECJ0EC1H330J	T	74.6/30.9
C93	4030017380	S.CER ECJ0EC1H050B	T	70.9/33.5
C94	4030017730	S.CER ECJ0EB1E471K	T	70.3/24
C97	4030017420	S.CER ECJ0EC1H470J	T	74.8/36
C98	4030017380	S.CER ECJ0EC1H050B	T	66.1/33.9
C99	4030017460	S.CER ECJ0EB1E102K	T	68.3/36.3
C100	4030017620	S.CER ECJ0EC1H100C	B	61.3/36.1
C102	4030017380	S.CER ECJ0EC1H050B	T	59.5/34.3
C103	4030017350	S.CER ECJ0EC1H020B	B	58.2/35.1
C104	4030017460	S.CER ECJ0EB1E102K	T	58.9/29.4
C105	4030017460	S.CER ECJ0EB1E102K	B	58.6/37.1
C106	4030017420	S.CER ECJ0EC1H470J	B	70.2/33.9
C107	4030017460	S.CER ECJ0EB1E102K	T	70.6/36.3
C108	4030016790	S.CER ECJ0EB1C103K	T	69.7/36.3
C109	4030017460	S.CER ECJ0EB1E102K	B	57.6/41.3
C110	4030017730	S.CER ECJ0EB1E471K	B	55.7/30.5
C111	4030017420	S.CER ECJ0EC1H470J	B	56.3/34.4
C112	4030017460	S.CER ECJ0EB1E102K	T	60.2/38.6
C113	4030017520	S.CER ECJ0EC1H0R3B	T	56.1/32.6
C114	4030017630	S.CER ECJ0EC1H120J	T	51.9/36.5
C115	4030017630	S.CER ECJ0EC1H120J	T	55.7/35.7
C116	4030016790	S.CER ECJ0EB1C103K	T	56.5/37.9
C117	4030017730	S.CER ECJ0EB1E471K	T	56.5/36.9
C118	4030017530	S.CER ECJ0EC1H0R5B	T	56.1/33.9
C119	4030017460	S.CER ECJ0EB1E102K	T	56.6/31.6
C120	4030017730	S.CER ECJ0EB1E471K	T	57.5/28.7
C121	4030017640	S.CER ECJ0EC1H150J	T	52.6/30
C122	4030017640	S.CER ECJ0EC1H150J	T	53.1/28.6
C123	4030017650	S.CER ECJ0EC1H270J	T	52.6/31
C124	4030017630	S.CER ECJ0EC1H120J	T	51.1/29
C126	4030017390	S.CER ECJ0EC1H180J	T	51.9/37.7
C127	4030017620	S.CER ECJ0EC1H100C	T	50.5/37.5
C129	4030017530	S.CER ECJ0EC1H0R5B	T	48.4/31.4
C130	4030016950	S.CER ECJ0EB1A473K	B	49.3/39.1
C132	4030017460	S.CER ECJ0EB1E102K	B	46.9/27.1
C133	4030017390	S.CER ECJ0EC1H180J	T	51.1/31
C134	4030017410	S.CER ECJ0EC1H240J	T	50.6/36.3
C135	4030017460	S.CER ECJ0EB1E102K	T	48.4/34.4
C136	4030016930	S.CER ECJ0EB1A104K	T	48.4/35.4
C137	4030016790	S.CER ECJ0EB1C103K	T	57.7/44.1
C138	4030017460	S.CER ECJ0EB1E102K	B	49.6/28.4
C139	4030016930	S.CER ECJ0EB1A104K	B	56.7/28.9
C140	4030016930	S.CER ECJ0EB1A104K	T	43.4/34.7
C141	4030017460	S.CER ECJ0EB1E102K	B	50.1/42.4
C142	4030017460	S.CER ECJ0EB1E102K	T	42.9/21
C143	4030017460	S.CER ECJ0EB1E102K	B	52/42.3
C144	4030017420	S.CER ECJ0EC1H470J	B	49.6/29.3
C145	4030017420	S.CER ECJ0EC1H470J	B	47.1/23.9
C146	4550000270	S.TAN TEESVA 1E 474M8R	B	52.6/32.7
C147	4550000460	S.TAN TEESVA 1C 105M8R	B	47.5/41.4
C148	4550006250	S.TAN TEESVA 1A 106M8R	T	50.1/44.1
C149	4030017460	S.CER ECJ0EB1E102K	T	43.8/39.1
C150	4030018860	S.CER ECJ0EB0J105K	T	43.9/22.7
C151	4030016930	S.CER ECJ0EB1A104K	T	40.2/40.8
C152	4030017420	S.CER ECJ0EC1H470J	T	35.3/41.1
C153	4030017420	S.CER ECJ0EC1H470J	T	37.2/41.1
C154	4030017420	S.CER ECJ0EC1H470J	T	38/39.1
C155	4030017420	S.CER ECJ0EC1H470J	T	43.8/38.1
C156	4030017460	S.CER ECJ0EB1E102K	T	39.5/32
C157	4030017620	S.CER ECJ0EC1H100C	T	38.5/32
C158	4030016930	S.CER ECJ0EB1A104K	T	36.1/31.4

[MAIN-B UNIT]

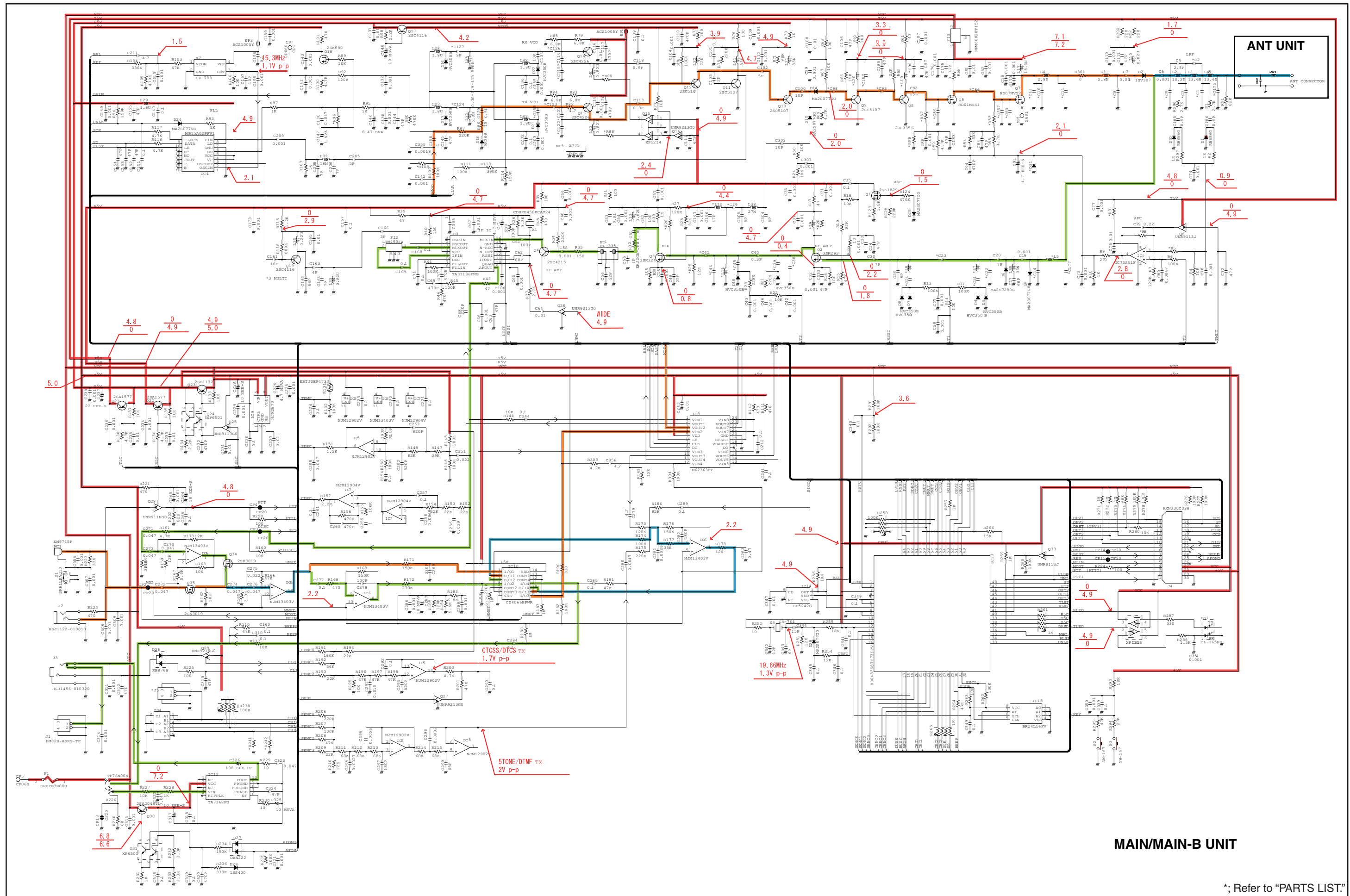
REF NO.	PARTS NO.	DESCRIPTION	M.	H/V LOCATION
C178	4030017420	S.CER ECJ0EC1H470J	T	77.7/21.3
C180	4030017420	S.CER ECJ0EC1H470J	T	67.1/32.3
C182	4030017600	S.CER ECJ0EC1H080C	T	68.8/31.6
C183	4030017420	S.CER ECJ0EC1H470J	T	74.1/24
C185	4030017530	S.CER ECJ0EC1H0R5B	B	90.7/35.7
C186	4030017530	S.CER ECJ0EC1H0R5B	B	92.1/38.7
C188	4030017460	S.CER ECJ0EB1E102K	B	47.5/20.7
C196	4030017420	S.CER ECJ0EC1H470J	B	62.5/39
C197	4030017460	S.CER ECJ0EB1E102K	B	62.5/39.9
C202	4030016930	S.CER ECJ0EB1A104K	T	48.4/33.4
C203	4030017460	S.CER ECJ0EB1E102K	B	46.9/30.1
C205	4030017380	S.CER ECJ0EC1H050B	B	56.3/39.7
C206	4030017600	S.CER ECJ0EC1H080C	B	55.9/41.3
C208	4030017600	S.CER ECJ0EC1H080C	B	54.2/42.3
C209	4030017460	S.CER ECJ0EB1E102K	B	54.2/43.3
C211	4030018910	S.CER C1608 JB 0J 475K-T	T	36.1/21.9
C213	4030017460	S.CER ECJ0EB1E102K	T	31.5/27.8
C221	4030016930	S.CER ECJ0EB1A104K	T	32.3/31.6
C222	4030016930	S.CER ECJ0EB1A104K	T	19.2/34
C223	4030016930	S.CER ECJ0EB1A104K	B	29.7/9
C224	4030016930	S.CER ECJ0EB1A104K	T	40.9/29.1
C225	4030017460	S.CER ECJ0EB1E102K	B	83/11.6
C226	4550005980	S.TAN TEESVA 1A 475M8R	B	81.2/13.5
C227	4030016790	S.CER ECJ0EB1C103K	B	86.9/13
C228	4510008540	S.ELE EEE1CA100SR	B	89.4/15.7
C229	4030017460	S.CER ECJ0EB1E102K	B	85.8/17.8
C230	4030016930	S.CER ECJ0EB1A104K	B	85.8/16.8
C231	4030016790	S.CER ECJ0EB1C103K	T	74/13.3
C232	4030017730	S.CER ECJ0EB1E471K	T	76.2/13.3
C233	4030016790	S.CER ECJ0EB1C103K	T	24.5/23
C234	4030017460	S.CER ECJ0EB1E102K	T	24.2/27.8
C235	4030016790	S.CER ECJ0EB1C103K	T	69.8/15.7
C236	4030017460	S.CER ECJ0EB1E102K	T	69.8/17.7
C237	4510008660	S.ELE EEE0JA220SR	B	76/15.5
C238	4030017460	S.CER ECJ0EB1E102K	B	77/18.4
C241	4030016930	S.CER ECJ0EB1A104K	T	35.4/9.9
C242	4030016930	S.CER ECJ0EB1A104K	T	44.7/9.9
C243	4030016790	S.CER ECJ0EB1C103K	T	40.5/9.9
C244	4030016930	S.CER ECJ0EB1A104K	B	46.5/15.4
C251	4030016970	S.CER ECJ0EB1C223K	T	33.4/17.1
C252	4030017740	S.CER ECJ0EB1E821K	T	29.9/16.1
C253	4030017740	S.CER ECJ0EB1E821K	T	33.4/14.9
C254	4030016930	S.CER ECJ0EB1A104K	T	33.4/10.9
C255	4030016950	S.CER ECJ0EB1A473K	B	34.5/12.1
C256	4030016940	S.CER ECJ0EB1A393K	T	29.9/28.1
C257	4030016930	S.CER ECJ0EB1A104K	T	29.9/30.1
C258	4030017790	S.CER ECJ0EB1E682K	T	26.6/30.1
C259	4030018860	S.CER ECJ0EB0J105K	T	31.5/41.1
C260	4030017730	S.CER ECJ0EB1E471K	T	29.8/39.1
C261	4030016930	S.CER ECJ0EB1A104K	T	31.5/40.1
C264	4510008540	S.ELE EEE1CA100SR	B	69.7/15.5
C265	4030017460	S.CER ECJ0EB1E102K	B	64.4/12.3
C266	4030016930	S.CER ECJ0EB1A104K	B	63/8.5
C269	4030017720	S.CER ECJ0EB1H331K	T	11.6/37.9
C270	4030016950	S.CER ECJ0EB1A473K	T	14.1/28.8
C271	4030016950	S.CER ECJ0EB1A473K	T	14.1/26.8
C272	4030016950	S.CER ECJ0EB1A473K	T	10.6/28.5
C273	4030016950	S.CER ECJ0EB1A473K	T	14.1/27.8
C274	4030016950	S.CER ECJ0EB1A473K	T	11.6/31.9
C275	4030016970	S.CER ECJ0EB1C223K	T	11.6/34.4
C276	4030016950	S.CER ECJ0EB1A473K	T	12.6/34.4
C277	4030016930	S.CER ECJ0EB1A104K	T	14.6/40.1
C278	4030017430	S.CER ECJ0EC1H101J	T	18/40.1
C279	4030018910	S.CER C1608 JB 0J 475K-T	T	36.9/23.2
C280	4030017780	S.CER ECJ0EB1E472K	T	21.3/27.8
C281	4030018920	S.CER ECJ0EB1H392K	T	17.7/26.8
C282	4030017710	S.CER ECJ0EC1H181J	T	17.7/29.8
C283	4030018900	S.CER ECJ0EB0J474K	T	19.4/31.7
C284	4030016930	S.CER ECJ0EB1A104K	T	22.9/39.1
C285	4030016930	S.CER ECJ0EB1A104K	T	22.9/40.1
C286	4030017460	S.CER ECJ0EB1E102K	B	16.7/40.4
C287	4550006250	S.TAN TEESVA 1A 106M8R	B	21.8/40.7
C288	4030017460	S.CER ECJ0EB1E102K	B	17.2/38.1
C289	4030016930	S.CER ECJ0EB1A104K	B	20.2/31
C290	4030016930	S.CER ECJ0EB1A104K	T	27.5/16.2
C291	4030016780	S.CER ECJ0EB1C153K	T	25.7/10.9
C292	4030016930	S.CER ECJ0EB1A104K	T	25.7/13.9
C293	4030017740	S.CER ECJ0EB1E821K	T	25.7/11.9
C295	4030018110	S.CER ECJ0EB1H272K	T	29.1/5.1
C296	4030018240	S.CER ECJ0EB1E562K	T	29.1/6.1
C297	4030017710	S.CER ECJ0EC1H181J	T	27.1/7.1
C298	4030018090	S.CER ECJ0EB1C822K	T	31/7.1
C299	4030017510	S.CER ECJ0EC1H680J	T	31/5.1
C300	4030017440	S.CER ECJ0EC1H221J	B	19.8/38.2
C302	4030017620	S.CER ECJ0EC1H100C	T	66/39.3
C303	4030017460	S.CER ECJ0EB1E102K	T	65/39.3
C304	4030017580	S.CER ECJ0EC1H060C	B	68.5/40.2
C305	4030017590	S.CER ECJ0EC1H070C	B	64.2/40.8
C306	4030017460	S.CER ECJ0EB1E102K	B	61/12.3
C307	4030017460	S.CER ECJ0EB1E102K	B	59.3/12.3
C308	4030017460	S.CER ECJ0EB1E102K	T	75.7/9.8
C309	4030017460	S.CER ECJ0EB1E102K	B	75.5/11.3
C310	4030016930	S.CER ECJ0EB1A104K	T	21.3/11.9
C311	4030017460	S.CER ECJ0EB1E102K	B	64.9/8.5
C312	4030017420	S.CER ECJ0EC1H470J	B	75/6.1
C313	4030017420	S.CER ECJ0EC1H470J	B	32.9/7.1
C314	4030017460	S.CER ECJ0EB1E102K	T	86.6/3.3
C315	4030017460	S.CER ECJ0EB1E102K	T	93.2/6
C316	4030016930	S.CER ECJ0EB1A104K	T	91.7/2.8
C317	4510008540	S.ELE EEE1CA100SR	B	95.9/15.2
C318	4030016930	S.CER ECJ0EB1A104K	T	89.7/8.9
C319	4030016930	S.CER ECJ0EB1A104K	T	89.6/2.8
C320	4030017730	S.CER ECJ0EB1E471K	T	88.6/2.8
C321	4030017460	S.CER ECJ0EB1E102K	B	19.3/4.2

[MAIN-B UNIT]

REF NO.	PARTS NO.	DESCRIPTION	M.	H/V LOCATION
C322	4030016950	S.CER ECJ0EB1A473K	T	93.9/13.9
C323	4030016950	S.CER ECJ0EB1A473K	T	87.6/9.7
C324	4030017420	S.CER ECJ0EC1H470J	T	85/13.7
C325	4550006250	S.TAN TEESVA 1A 106M8R	T	90.6/17.2
C326	4510008900	S.ELE EEEFC0J101P	B	87.8/8.9
C333	4030017420	S.CER ECJ0EC1H470J	B	76.8/39.9
C335	4030018860	S.CER ECJ0EB0J105K	B	54.6/22.6
C339	4030016930	S.CER ECJ0EB1A104K	B	5.9/17.2
C340	4030016930	S.CER ECJ0EB1A104K	B	9.3/12.5
C341	4030016930	S.CER ECJ0EB1A104K	B	5.9/10.1
C342	4030017630	S.CER ECJ0EC1H120J	B	18.3/4.2
C343	4030017580	S.CER ECJ0EC1H060C	B	5.6/4.2
C344	4030017640	S.CER ECJ0EC1H150J	B	7.6/9.1
C345	4030016930	S.CER ECJ0EB1A104K	B	11/11.2
C346	4030016930	S.CER ECJ0EB1A104K	B	11/10.1
C347	4030016790	S.CER ECJ0EB1C103K	T	8.8/6.5
C348	4030016930	S.CER ECJ0EB1A104K	T	6/10
C349	4030016930	S.CER ECJ0EB1A104K	T	21.3/14.9
C350	4030017460	S.CER ECJ0EB1E102K	T	59.4/43.4
C354	4030017460	S.CER ECJ0EB1E102K	T	14.2/24.4
C355	4030018080	S.CER ECJ0EB1H182K	T	42.9/22.7
C356	4030018910	S.CER C1608 JB 0J 475K-T	T	34.6/20.6
J1	6510021901	S.CON BM02B-ASRS-TF(LF)(SN)	T	86.6/6.8
J2	6450001680	CON HSJ1122-010010		
J3	6450002250	CON HSJ1456-010320		
J4	6510018430	S.CON AXN330C038P	B	11.8/30.6
F1	5210000830	S.FUS ERBFE3R00U	T	98/14.5
DS1	5040002670	S.LED CL-165HR/YG	T	102.8/12.4
MC1	7700002750	MIC EM9745P-38-G <HOR>		
S1	2260002840	SWI SKHLLFA010		
S2	2260002800	S.SWI SW-167 (SKQTLAE010)	B	99.4/44.2
S3	2260002800	S.SWI SW-167 (SKQTLAE010)	B	60.9/44.2
S4	2250000490	ENC TP70TF5163-15.9F-2775		
EP1	6910015370	S.BEA ACZ1005Y-102-T	T	57/29.9
EP3	6910015370	S.BEA ACZ1005Y-102-T	T	34.7/32
MP1	8410002531	S.HEA 2681 PA HEATSINK-1	B	79/28.2
MP3	8510016470	S.S.CAS 2775 VCO CASE	T	54.1/33.2

M.=Mounted side (T: Mounted on the Top side, B: Mounted on the Bottom side)  
S.=Surface mount

# VOLTAGE DIAGRAM



\*; Refer to "PARTS LIST."



Nov. 2008



# SERVICE MANUAL ADDENDUM

---

**IC-F24/S IC-F25/S IC-F26/S IC-F26-L IC-F4018**

---

## **CONTENTS**

PARTS LIST .....	1
BOARD LAYOUTS .....	11
VOLTAGE DIAGRAM .....	13

## PARTS LIST

## [ANT UNIT]

REF NO.	PARTS NO.	DESCRIPTION	M.	H/V LOCATION
L601	6200013010	S.COI 0.30-0.9-5TL 10.3N <COMO>	B	7.2/12.5
C601	4030017600	S.CER ECJ0EC1H080C	B	5.8/15.3

## [CONNECT UNIT]

REF NO.	PARTS NO.	DESCRIPTION	M.	H/V LOCATION
C501	4030017460	S.CER ECJ0EB1E102K	T	8.3/5.3
C502	4030016930	S.CER ECJ0EB1A104K	T	9.3/5.3
J501	6910016390	CON IMSA-9230B-1-02Z145-PT1		

## [MAIN UNIT]

REF NO.	PARTS NO.	DESCRIPTION	M.	H/V LOCATION
IC1	1110003201	S.IC TA31136FNG(EL)	B	51.8/19
IC2	11300008561	S.IC TC75S51F(TE85L,F)	T	68.9/21
IC4	1140005991	S.IC MB15A02PFV1-G-BND-ERE1	T	38.3/35.7
IC5	1110005340	S.IC NJM12902V-TE1-#ZZZB	T	29.7/11.6
IC6	1110005320	S.IC NJM13403V-TE1-#ZZZB	T	15.9/34.6
IC7	1110005330	S.IC NJM12904V-TE1-#ZZZB	T	29.2/34.6
IC8	1190000350	S.IC M62363FP-650C	T	40.3/15.2
IC9	1110005350	S.IC NJM2870F05-TE1-#FZZB	B	84.2/14.2
IC10	1130011770	S.IC CD4066BPWR	T	22.9/34.6
IC12	1110001811	S.IC TA7368FG(5,ER)	T	89.3/13.2
IC13	1140012721	S.IC HD6433687C73FPV(FX-2775A-1)	T	12.5/14.3
IC14	1110006260	S.IC BD5242G-TR	T	6.6/5.9
IC15	1130011540	S.IC BR24L16FV-WE2	B	16/11.6
Q1	1560000841	S.FET 2SK1829(TE85R,F)	T	75/39.6
Q2	1580000731	S.FET 3SK293(TE85L,F)	B	76.8/37.9
Q3	1580000800	S.FET 3SK324UG-TL-E	B	66.2/37.9
Q4	1530002601	S.TRA 2SC4215-O(TE85R,F)	B	51.4/23.1
Q5	1530000371	S.TRA 2SC3356-T1B S (R25)	T	74.3/33.5
Q6	1590003230	S.TRA UNR9113J-(TX)	T	72.5/19.1
Q7	1560001232	S.FET RD07MVS2-T112	T	82.6/27
Q8	1560001241	S.FET RD01MUS1-T113	T	76.1/27.5
Q9	1530003311	S.TRA 2SC5107-O(TE85R,F)	T	67/30.3
Q10	1530003311	S.TRA 2SC5107-O(TE85R,F)	T	59.4/36.3
Q11	1530003311	S.TRA 2SC5107-O(TE85R,F)	B	56.3/37
Q12	1530003311	S.TRA 2SC5107-O(TE85R,F)	T	59/31.5
Q13	1530002920	S.TRA 2SC4226-T1 R25	T	54.9/30.7
Q14	1530002920	S.TRA 2SC4226-T1 R25	T	54.2/37.1
Q15	1590001400	S.TRA XP1214(TX)	B	56.5/32.6
Q16	1590003290	S.TRA UNR9213J-(TX)	B	59.1/32.6
Q17	1530002851	S.TRA 2SC4116-BL(TE85R,F)	T	55.5/44.1
Q18	1560000541	S.FET 2SK880-Y(T5RICOM,F)	B	51.5/40.4
Q19	1530002851	S.TRA 2SC4116-BL(TE85R,F)	T	43.3/29.9
Q21	1510000920	S.TRA 2SA1577 T106 Q	T	71.9/16.4
Q22	1510000920	S.TRA 2SA1577 T106 Q	T	24.9/25.9
Q23	1520000460	S.TRA 2SB1132 T100 R	T	81/15.2
Q24	1590001190	S.TRA XP6501-(TX),AB	T	76.3/15.1
Q25	1590003230	S.TRA UNR9113J-(TX)	T	75.7/11.7
Q26	1590003290	S.TRA UNR9213J-(TX)	T	49.7/18.4
Q27	1590003290	S.TRA UNR9213J-(TX)	T	24.8/16.7
Q28	1590003430	S.TRA UNR911HJ-(TX)	B	63.1/10.6
Q29	1590003270	S.TRA UNR9210J-(TX)	B	35.7/9.2
Q30	1510001080	S.TRA 2SA2048 TLR	T	91.9/8.6
Q31	1590001190	S.TRA XP6501-(TX),AB	T	91.4/5.2
Q32	1590003020	S.TRA XP4216-(TX)	T	16.5/23.1
Q33	1590003230	S.TRA UNR9113J-(TX)	T	19.9/22.5
Q34	1560001360	S.FET 2SK3019 TL	T	10.7/30.1
Q35	1560001360	S.FET 2SK3019 TL	T	9.1/26.6
D1	1750001080	S.DIO RB886G T2R	B	90.2/38.7
D2	1750000581	S.DIO 1SV307(TPH3,F)	B	91.5/31.1
D3	1750000711	S.VAR HVC350BTRF-E	B	87.5/33.5
D4	1750000711	S.VAR HVC350BTRF-E	B	87.5/34.8
D5	1790001260	S.DIO MA2S077-(TX)	B	87.4/36.7
D6	1790001240	S.DIO MA2S728-(TX)	B	85/39.9
D7	1750000711	S.VAR HVC350BTRF-E	B	81.8/33.5
D8	1750000711	S.VAR HVC350BTRF-E	B	81.8/34.8
D9	1750000711	S.VAR HVC350BTRF-E	B	73.6/35.9
D10	1750000711	S.VAR HVC350BTRF-E	B	72.2/35.9
D14	1790001260	S.DIO MA2S077-(TX)	T	65.8/35.3
D15	1790001260	S.DIO MA2S077-(TX)	T	65.8/36.7
D16	1750000711	S.VAR HVC350BTRF-E	T	52.6/38.9
D17	1750000711	S.VAR HVC350BTRF-E	T	49.4/28.3
D18	1720000570	S.VAR MA368(TX)	B	49.6/26.9
D21	1750000711	S.VAR HVC350BTRF-E	T	50.5/33.7
D22	1750000711	S.VAR HVC350BTRF-E	T	50.5/35.2
D24	1790001250	S.DIO MA2S111-(TX)	T	41.5/39.2
D25	1790001250	S.DIO MA2S111-(TX)	T	70.5/40.4
D26	1790001790	S.DIO RB876W TL	B	35.7/7.1
D27	1750000520	S.DIO DAN222TL	B	21.3/6
D28	1790001260	S.DIO MA2S077-(TX)	B	8.5/11.2
D29	1750000940	S.DIO ISS400 TE61	B	23.1/4
D30	1750001080	S.DIO RB886G T2R	T	88.5/36.2
D31	1790001010	S.ZEN MA8043-L(TX) [USA-03]	B	74.5/19.9
	1790001010	S.ZEN MA8043-L(TX) [GEN-03]		
	1790001010	S.ZEN MA8043-L(TX) [USA-05]		
F11	2030000150	S.MON DSF753SB 46.350 MHz(FL-335)	B	62.8/27.1
F12	2020001840	CER ALFYM450F=K		
F13	2040001440	S.LC NFE31PT152Z1E9L (NFM60R20T152)	B	81.2/17.8
X1	6070000191	S.DIS CDBKB450KCAY24-R0	T	54.4/20
X2	6050011940	S.XTA CR-783 TTS14VSB-A6 15.3 MHz	T	36.9/28.9
X3	6050011720	S.XTA CR-764 SMD-49TB 19.6608 MHz	B	12/5.9
L1	6200012490	S.COI 0.30-0.9-6TR 13.6N <COMO>	B	94.7/36.4
L2	6200013010	S.COI 0.30-0.9-5TL 10.3N <COMO>	B	94.8/31.9
L3	6200012610	S.COI 0.40-0.9-2TL 2.8N <COMO>	B	92.9/26.3
L4	6200012610	S.COI 0.40-0.9-2TL 2.8N <COMO>	B	89.9/20.6
L5	6200010850	S.COI LQW18AN22NG00D (LQW1608A22NG00) [USA-02]	B	89.1/36.5

M.=Mounted side (T: Mounted on the Top side, B: Mounted on the Bottom side)  
S.=Surface mount

[MAIN UNIT]

REF NO.	PARTS NO.	DESCRIPTION	M.	H/V LOCATION	
L5	6200009070	S.COI LQW18AN18NG00D (LQW1608A18NG00) [USA-03]	B	89.1/36.5	
	6200010850	S.COI LQW18AN22NG00D (LQW1608A22NG00) [EUR-02]			
	6200010850	S.COI LQW18AN22NG00D (LQW1608A22NG00) [BEA-02]			
	6200010850	S.COI LQW18AN22NG00D (LQW1608A22NG00) [GEN-02]			
	6200009070	S.COI LQW18AN18NG00D (LQW1608A18NG00) [GEN-03]			
	6200010850	S.COI LQW18AN22NG00D (LQW1608A22NG00) [USA-04]			
	6200010850	S.COI LQW18AN22NG00D (LQW1608A22NG00) [RUS-05]			
	6200009070	S.COI LQW18AN18NG00D (LQW1608A18NG00) [USA-05]			
	6200010850	S.COI LQW18AN22NG00D (LQW1608A22NG00) [CHN-02]			
	6200010850	S.COI LQW18AN22NG00D (LQW1608A22NG00) [CHN-01]			
L7	6200007700	S.COI LQW2BHN22NJ03L [USA-02]	B	84.3/34.5	
	6200007690	S.COI LQW2BHN18NJ03L [USA-03]			
	6200007700	S.COI LQW2BHN22NJ03L [EUR-02]			
	6200007700	S.COI LQW2BHN22NJ03L [BEA-02]			
	6200007700	S.COI LQW2BHN22NJ03L [GEN-02]			
	6200007690	S.COI LQW2BHN18NJ03L [GEN-03]			
	6200007700	S.COI LQW2BHN22NJ03L [USA-04]			
	6200007700	S.COI LQW2BHN22NJ03L [RUS-05]			
	6200007690	S.COI LQW2BHN18NJ03L [USA-05]			
	6200007700	S.COI LQW2BHN22NJ03L [CHN-02]			
L8	6200007700	S.COI LQW2BHN22NJ03L [CHN-01]	B	78.9/35.3	
	6200007690	S.COI LQW2BHN18NJ03L [USA-03]			
	6200007700	S.COI LQW2BHN22NJ03L [EUR-02]			
	6200007690	S.COI LQW2BHN18NJ03L [USA-02]			
	6200007700	S.COI LQW2BHN22NJ03L [GEN-03]			
	6200007690	S.COI LQW2BHN18NJ03L [GEN-02]			
	6200007700	S.COI LQW2BHN22NJ03L [USA-04]			
	6200007690	S.COI LQW2BHN18NJ03L [RUS-05]			
	6200007700	S.COI LQW2BHN22NJ03L [USA-05]			
	6200007700	S.COI LQW2BHN22NJ03L [CHN-02]			
L9	6200007680	S.COI LQW2BHN12NJ03L [CHN-01]	B	75.9/35.2	
	6200007670	S.COI LQW2BHN10NJ03L [USA-02]			
	6200007680	S.COI LQW2BHN12NJ03L [USA-03]			
	6200007680	S.COI LQW2BHN12NJ03L [EUR-02]			
	6200007680	S.COI LQW2BHN12NJ03L [BEA-02]			
	6200007670	S.COI LQW2BHN10NJ03L [GEN-03]			
	6200007680	S.COI LQW2BHN12NJ03L [USA-04]			
	6200007680	S.COI LQW2BHN12NJ03L [RUS-05]			
	6200007670	S.COI LQW2BHN10NJ03L [USA-05]			
	6200007680	S.COI LQW2BHN12NJ03L [CHN-02]			
L11	6200007230	S.COI LQW2BHN15NJ03L [CHN-01]	B	70.6/37.8	
	6200007680	S.COI LQW2BHN12NJ03L [USA-02]			
	6200007230	S.COI LQW2BHN15NJ03L [USA-03]			
	6200007230	S.COI LQW2BHN15NJ03L [BEA-02]			
	6200007230	S.COI LQW2BHN15NJ03L [GEN-02]			
	6200007680	S.COI LQW2BHN12NJ03L [GEN-03]			
	6200007230	S.COI LQW2BHN15NJ03L [USA-04]			
	6200007230	S.COI LQW2BHN15NJ03L [RUS-05]			
	6200007680	S.COI LQW2BHN12NJ03L [USA-05]			
	6200007230	S.COI LQW2BHN15NJ03L [CHN-02]			
L12	6200011001	S.COI ELJRF 56NJFB	B	64.2/39	
	L13	6200007850	S.COI ELJNC R82K-F	B	66.8/33.9
	L15	6200002851	S.COI NLV25T-R82J	T	93.8/31.8
	L17	6200012980	S.COI 0.40-1.4-5TR 18.3N <COMO>	B	81.2/20.9
	L19	6200005671	S.COI ELJRE 12NGFA [USA-02]	T	76/35.5
		6200005661	S.COI ELJRE 10NGFA [USA-03]		
		6200005671	S.COI ELJRE 12NGFA [EUR-02]		
		6200005671	S.COI ELJRE 12NGFA [BEA-02]		
		6200005671	S.COI ELJRE 12NGFA [GEN-02]		
		6200005661	S.COI ELJRE 10NGFA [GEN-03]		
6200005671		S.COI ELJRE 12NGFA [USA-04]			
6200005671		S.COI ELJRE 12NGFA [RUS-05]			
6200005661		S.COI ELJRE 10NGFA [USA-05]			
6200005671		S.COI ELJRE 12NGFA [CHN-02]			
L20	6200005671	S.COI ELJRE 12NGFA [CHN-01]	T	68.8/33.1	
	6200005691	S.COI ELJRE 18NGFA [USA-02]			
	6200005681	S.COI ELJRE 15NGFA [USA-03]			
	6200005691	S.COI ELJRE 18NGFA [EUR-02]			
	6200005691	S.COI ELJRE 18NGFA [BEA-02]			
	6200005691	S.COI ELJRE 18NGFA [GEN-02]			
	6200005681	S.COI ELJRE 15NGFA [GEN-03]			
	6200005691	S.COI ELJRE 18NGFA [USA-04]			
	6200005681	S.COI ELJRE 15NGFA [RUS-05]			
	6200005691	S.COI ELJRE 18NGFA [USA-05]			
L21	6200007881	S.COI ELJRF 33NJFB	T	59.2/38.6	
	L22	6200007901			S.COI ELJRF 22NJFB
	L23	6200002851			S.COI NLV25T-R82J
	L25	6200013630			S.COI 0.30-0.9-3TR 5.8N 5PER <COMO>
	L26	6200013580			S.COI 0.30-0.9-4TR 5PER <COMO>
	L27	6200004951			S.COI NLV25T-1R8J
	L28	6200004951			S.COI NLV25T-1R8J
	L29	6200004660			S.COI MLF1608A 1R8K-T
	L30	6200007881			S.COI ELJRF 33NJFB
	L32	6200007911			S.COI ELJRF 18NJFB
L33	6200004480	S.COI MLF1608D R82K-T			
L35	6200003540	S.COI MLF1608D R22K-T			
L38	6200005711	S.COI ELJRE 27NGFA			
L40	6200002851	S.COI NLV25T-R82J			

[MAIN UNIT]

REF NO.	PARTS NO.	DESCRIPTION	M.	H/V LOCATION
L41	6200007881	S.COI ELJRF 33NJFB	B	58.4/38.2
L42	6200004951	S.COI NLV25T-1R8J	B	49.4/34
L43	6200004951	S.COI NLV25T-1R8J	B	49.4/31.1
L45	6200012490	S.COI 0.30-0.9-6TR 13.6N <COMO>	B	94.9/39.6
R1	7030003490	S.RES ERJ3GEYJ 272 V (2.7K)	B	91.8/39.9
R2	7030005120	S.RES ERJ2GEJ 102 X (1K)	B	92.1/37.7
R3	7030004970	S.RES ERJ2GEJ 470 X (47) [USA-02]	T	66.7/22.7
	7030005570	S.RES ERJ2GEJ 820 X (82) [USA-03]		
	7030004970	S.RES ERJ2GEJ 470 X (47) [EUR-02]		
	7030004970	S.RES ERJ2GEJ 470 X (47) [BEA-02]		
	7030004970	S.RES ERJ2GEJ 470 X (47) [GEN-02]		
	7030005570	S.RES ERJ2GEJ 820 X (82) [GEN-03]		
	7030004970	S.RES ERJ2GEJ 470 X (47) [USA-04]		
	7030004970	S.RES ERJ2GEJ 470 X (47) [RUS-05]		
	7030005570	S.RES ERJ2GEJ 820 X (82) [USA-05]		
	7030004970	S.RES ERJ2GEJ 470 X (47) [CHN-02]		
R4	7030004970	S.RES ERJ2GEJ 470 X (47) [CHN-01]	T	75.8/20.8
	7030005050	S.RES ERJ2GEJ 103 X (10K)		
	7030005050	S.RES ERJ2GEJ 103 X (10K) [USA-02]		
	7030005220	S.RES ERJ2GEJ 223 X (22K) [USA-03]		
	7030005050	S.RES ERJ2GEJ 103 X (10K) [EUR-02]		
	7030005050	S.RES ERJ2GEJ 103 X (10K) [BEA-02]		
	7030005050	S.RES ERJ2GEJ 103 X (10K) [GEN-02]		
	7030005220	S.RES ERJ2GEJ 223 X (22K) [GEN-03]		
	7030005050	S.RES ERJ2GEJ 103 X (10K) [USA-04]		
	7030005050	S.RES ERJ2GEJ 103 X (10K) [RUS-05]		
R5	7030005220	S.RES ERJ2GEJ 223 X (22K) [USA-05]	T	73.3/21.1
	7030005050	S.RES ERJ2GEJ 103 X (10K) [CHN-02]		
	7030005050	S.RES ERJ2GEJ 103 X (10K) [CHN-01]		
	7030005090	S.RES ERJ2GEJ 104 X (100K)		
	7030005310	S.RES ERJ2GEJ 124 X (120K)		
	7030005170	S.RES ERJ2GEJ 474 X (470K) [USA-02]		
	7030005100	S.RES ERJ2GEJ 154 X (150K) [USA-03]		
	7030005170	S.RES ERJ2GEJ 474 X (470K) [EUR-02]		
	7030005170	S.RES ERJ2GEJ 474 X (470K) [BEA-02]		
	7030005170	S.RES ERJ2GEJ 474 X (470K) [GEN-02]		
7030005100	S.RES ERJ2GEJ 154 X (150K) [GEN-03]			
R6	7030005170	S.RES ERJ2GEJ 474 X (470K) [USA-04]	T	66.7/18.2
	7030005170	S.RES ERJ2GEJ 474 X (470K) [USA-05]		
	7030005170	S.RES ERJ2GEJ 474 X (470K) [CHN-02]		
	7030005170	S.RES ERJ2GEJ 474 X (470K) [CHN-01]		
	7030008280	S.RES ERJ2GEJ 271 X (270)		
	7030005120	S.RES ERJ2GEJ 102 X (1K)		
	7030005090	S.RES ERJ2GEJ 104 X (100K)		
	7030005530	S.RES ERJ2GEJ 100 X (10)		
	7030005090	S.RES ERJ2GEJ 104 X (100K)		
	7030005050	S.RES ERJ2GEJ 103 X (10K)		
R7	7030005240	S.RES ERJ2GEJ 473 X (47K)	T	71.3/22.4
	7030004980	S.RES ERJ2GEJ 101 X (100)		
	7030004970	S.RES ERJ2GEJ 101 X (100)		
	7030005050	S.RES ERJ2GEJ 103 X (10K)		
	7030005080	S.RES ERJ2GEJ 823 X (82K)		
	7030005120	S.RES ERJ2GEJ 102 X (1K) [USA-02]		
	7030005240	S.RES ERJ2GEJ 473 X (47K) [USA-03]		
	7030005120	S.RES ERJ2GEJ 102 X (1K) [EUR-02]		
	7030005120	S.RES ERJ2GEJ 102 X (1K) [BEA-02]		
	7030005120	S.RES ERJ2GEJ 102 X (1K) [GEN-02]		
R8	7030005240	S.RES ERJ2GEJ 473 X (47K) [GEN-03]	T	68.4/24
	7030005120	S.RES ERJ2GEJ 102 X (1K) [USA-04]		
	7030005120	S.RES ERJ2GEJ 102 X (1K) [USA-05]		
	7030005120	S.RES ERJ2GEJ 102 X (1K) [CHN-02]		
	7030005120	S.RES ERJ2GEJ 102 X (1K) [CHN-01]		
	7030005110	S.RES ERJ2GEJ 224 X (220K)		
	7030005050	S.RES ERJ2GEJ 103 X (10K)		
	7030005110	S.RES ERJ2GEJ 224 X (220K)		
	7030005050	S.RES ERJ2GEJ 103 X (10K)		
	7030007340	S.RES ERJ2GEJ 153 X (15K) [USA-02]		
R9	7030005050	S.RES ERJ2GEJ 103 X (10K) [USA-03]	T	72.2/38.9
	7030007340	S.RES ERJ2GEJ 153 X (15K) [EUR-02]		
	7030007340	S.RES ERJ2GEJ 153 X (15K) [BEA-02]		
	7030007340	S.RES ERJ2GEJ 153 X (15K) [GEN-02]		
	7030005050	S.RES ERJ2GEJ 103 X (10K) [GEN-03]		
	7030007340	S.RES ERJ2GEJ 153 X (15K) [USA-04]		
	7030007340	S.RES ERJ2GEJ 153 X (15K) [RUS-05]		
	7030005050	S.RES ERJ2GEJ 103 X (10K) [USA-05]		
	7030007340	S.RES ERJ2GEJ 153 X (15K) [CHN-02]		
	7030007340	S.RES ERJ2GEJ 153 X (15K) [CHN-01]		
R10	7030005110	S.RES ERJ2GEJ 224 X (220K)	T	69.2/38.9
	7030005050	S.RES ERJ2GEJ 103 X (10K)		
	7030005110	S.RES ERJ2GEJ 224 X (220K)		
	7030005050	S.RES ERJ2GEJ 103 X (10K)		
	7030007340	S.RES ERJ2GEJ 153 X (15K) [USA-02]		
	7030005050	S.RES ERJ2GEJ 103 X (10K) [USA-03]		
	7030007340	S.RES ERJ2GEJ 153 X (15K) [EUR-02]		
	7030007340	S.RES ERJ2GEJ 153 X (15K) [BEA-02]		
	7030007340	S.RES ERJ2GEJ 153 X (15K) [GEN-02]		
	7030005050	S.RES ERJ2GEJ 103 X (10K) [GEN-03]		
R11	7030007340	S.RES ERJ2GEJ 153 X (15K) [USA-04]	T	71.2/38.9
	7030007340	S.RES ERJ2GEJ 153 X (15K) [RUS-05]		
	7030007340	S.RES ERJ2GEJ 153 X (15K) [USA-05]		
	7030007340	S.RES ERJ2GEJ 153 X (15K) [CHN-02]		
	7030007340	S.RES ERJ2GEJ 153 X (15K) [CHN-01]		
	7030005310	S.RES ERJ2GEJ 124 X (120K)		
	7030005080	S.RES ERJ2GEJ 823 X (82K)		
	7030004980	S.RES ERJ2GEJ 101 X (100)		
	7030005000	S.RES ERJ2GEJ 471 X (470)		
	7030004980	S.RES ERJ2GEJ 471 X (100)		
R12	7030010040	S.RES ERJ2GEJ-JPW	B	66.1/31.1
	7030007270	S.RES ERJ2GEJ 151 X (150)		
	7030005110	S.RES ERJ2GEJ 224 X (220K)		
	7030004980	S.RES ERJ2GEJ 101 X (100)		
	7030007300	S.RES ERJ2GEJ 332 X (3.3K)		
	7030009140	S.RES ERJ2GEJ 272 X (2.7K)		
	7030005090	S.RES ERJ2GEJ 104 X (100K)		
	7030005310	S.RES ERJ2GEJ 124 X (120K)		
	7030005080	S.RES ERJ2GEJ 823 X (82K)		
	7030004980	S.RES ERJ2GEJ 101 X (100)		
R13	7030007300	S.RES ERJ2GEJ 332 X (3.3K)	B	67.7/35.7
	7030009140	S.RES ERJ2GEJ 272 X (2.7K)		
	7030005090	S.RES ERJ2GEJ 104 X (100K)		
	7030005310	S.RES ERJ2GEJ 124 X (120K)		
	7030005080	S.RES ERJ2GEJ 823 X (82K)		
	7030004980	S.RES ERJ2GEJ 101 X (100)		
	7030007300	S.RES ERJ2GEJ 332 X (3.3K)		
	7030009140	S.RES ERJ2GEJ 272 X (2.7K)		
	7030005090	S.RES ERJ2GEJ 104 X (100K)		
	7030005310	S.RES ERJ2GEJ 124 X (120K)		
R14	7030005080	S.RES ERJ2GEJ 823 X (82K)	B	62.5/40.8
	7030004980	S.RES ERJ2GEJ 101 X (100)		
	7030007300	S.RES ERJ2GEJ 332 X (3.3K)		
	7030009140	S.RES ERJ2GEJ 272 X (2.7K)		
	7030005090	S.RES ERJ2GEJ 104 X (100K)		
	7030005310	S.RES ERJ2GEJ 124 X (120K)		
	7030005080	S.RES ERJ2GEJ 823 X (82K)		
	7030004980	S.RES ERJ2GEJ 101 X (100)		
	7030007300	S.RES ERJ2GEJ 332 X (3.3K)		
	7030009140	S.RES ERJ2GEJ 272 X (2.7K)		
R15	7030005090	S.RES ERJ2GEJ 104 X (100K)	B	64.2/35.1
	7030005530	S.RES ERJ2GEJ 100 X (10)		
	7030005090	S.RES ERJ2GEJ 104 X (100K)		
	7030005530	S.RES ERJ2GEJ 100 X (10)		
	7030005090	S.RES ERJ2GEJ 104 X (100K)		
	7030005530	S.RES ERJ2GEJ 100 X (10)		
	7030005090	S.RES ERJ2GEJ 104 X (100K)		
	7030005530	S.RES ERJ2GEJ 100 X (10)		
	7030005090	S.RES ERJ2GEJ 104 X (100K)		
	7030005530	S.RES ERJ2GEJ 100 X (10)		
R16	7030005090	S.RES ERJ2GEJ 104 X (100K)	B	64.2/35.1



[MAIN UNIT]

REF NO.	PARTS NO.	DESCRIPTION	M.	H/V LOCATION
R39	7030004970	S.RES ERJ2GEJ 470 X (47)	B	55.8/22.3
R40	7030007270	S.RES ERJ2GEJ 151 X (150)	B	56.2/21.1
R43	7030004970	S.RES ERJ2GEJ 470 X (47)	B	47.5/15.4
R44	7030005090	S.RES ERJ2GEJ 104 X (100K)	B	54.8/15.4
R45	7030005090	S.RES ERJ2GEJ 104 X (100K)	B	52.8/13.7
R46	7030005000	S.RES ERJ2GEJ 471 X (470)	B	53.8/13.7
R48	7030005000	S.RES ERJ2GEJ 471 X (470)	B	51.5/25.2
R50	7030004980	S.RES ERJ2GEJ 101 X (100)	T	66.3/38
R51	7030003670	S.RES ERJ3GEYJ 823 V (82K)	B	96.5/37.3
R52	7030004990	S.RES ERJ2GEJ 221 X (220)	T	93.3/35.9
R53	7030005530	S.RES ERJ2GEJ 100 X (10) [USA-02]	T	80/22.5
	7030005710	S.RES ERJ2GEJ 121 X (120) [USA-03]		
	7030005530	S.RES ERJ2GEJ 100 X (10) [EUR-02]		
	7030005530	S.RES ERJ2GEJ 100 X (10) [BEA-02]		
	7030005530	S.RES ERJ2GEJ 100 X (10) [GEN-02]		
	7030005710	S.RES ERJ2GEJ 121 X (120) [GEN-03]		
	7030005530	S.RES ERJ2GEJ 100 X (10) [USA-04]		
	7030005530	S.RES ERJ2GEJ 100 X (10) [RUS-05]		
	7030005710	S.RES ERJ2GEJ 121 X (120) [USA-05]		
	7030005530	S.RES ERJ2GEJ 100 X (10) [CHN-02]		
	7030005530	S.RES ERJ2GEJ 100 X (10) [CHN-01]		
R54	7030005060	S.RES ERJ2GEJ 333 X (33K)	T	81.3/21.4
R55	7030005040	S.RES ERJ2GEJ 472 X (4.7K)	T	80/20.9
R56	7030003860	S.RES ERJ3GE JPW V	T	78/22.4
R57	7030004970	S.RES ERJ2GEJ 470 X (47)	T	75.2/23.2
R58	7030005060	S.RES ERJ2GEJ 333 X (33K) [USA-03]	T	72.1/24
	7030005060	S.RES ERJ2GEJ 333 X (33K) [GEN-03]		
	7030005060	S.RES ERJ2GEJ 333 X (33K) [USA-05]		
R59	7030005040	S.RES ERJ2GEJ 472 X (4.7K)	T	71.2/24
R61	7030004970	S.RES ERJ2GEJ 470 X (47)	T	71.8/36.3
R62	7030005220	S.RES ERJ2GEJ 223 X (22K)	T	72.1/35
R65	7030004980	S.RES ERJ2GEJ 101 X (100)	T	69.4/34.2
R66	7030007340	S.RES ERJ2GEJ 153 X (15K)	T	67.8/34.2
R67	7030004980	S.RES ERJ2GEJ 101 X (100)	T	67.8/35.1
R68	7030005050	S.RES ERJ2GEJ 103 X (10K)	T	69.4/35.1
R69	7030005040	S.RES ERJ2GEJ 472 X (4.7K)	T	64.1/35.2
R70	7030005530	S.RES ERJ2GEJ 100 X (10)	B	57.6/40.3
R71	7030005070	S.RES ERJ2GEJ 683 X (68K)	T	58.2/38.6
R73	7030004980	S.RES ERJ2GEJ 101 X (100)	B	57.7/30.5
R75	7030005110	S.RES ERJ2GEJ 224 X (220K)	B	58.4/36.1
R76	7030004980	S.RES ERJ2GEJ 101 X (100)	B	57.6/39.3
R77	7030005050	S.RES ERJ2GEJ 103 X (10K)	B	56.7/30.5
R78	7030005090	S.RES ERJ2GEJ 104 X (100K)	T	57.8/33.3
R79	7030006020	S.RES RR0510P-682-D (6.8K)	T	56.5/39.1
R80	7030008370	S.RES ERJ2GEJ 561 X (560) [USA-02]	B	54.6/32.8
	7030005120	S.RES ERJ2GEJ 102 X (1K) [USA-03]		
	7030008370	S.RES ERJ2GEJ 561 X (560) [EUR-02]		
	7030008370	S.RES ERJ2GEJ 561 X (560) [BEA-02]		
	7030008370	S.RES ERJ2GEJ 561 X (560) [GEN-02]		
	7030005120	S.RES ERJ2GEJ 102 X (1K) [GEN-03]		
	7030008370	S.RES ERJ2GEJ 561 X (560) [USA-04]		
	7030008370	S.RES ERJ2GEJ 561 X (560) [RUS-05]		
	7030005120	S.RES ERJ2GEJ 102 X (1K) [USA-05]		
	7030008370	S.RES ERJ2GEJ 561 X (560) [CHN-02]		
	7030008370	S.RES ERJ2GEJ 561 X (560) [CHN-01]		
R82	7030009320	S.RES ERJ2GEJ 47R X (4.7)	T	52.6/32
R83	7030006020	S.RES RR0510P-682-D (6.8K)	T	54.1/32.6
R84	7030006020	S.RES RR0510P-682-D (6.8K)	T	52.1/28.6
R85	7030006020	S.RES RR0510P-682-D (6.8K)	T	54.7/39.1
R86	7030005530	S.RES ERJ2GEJ 100 X (10)	B	48.2/28.8
R87	7030005110	S.RES ERJ2GEJ 224 X (220K)	B	48.1/25.3
R88	7030008370	S.RES ERJ2GEJ 561 X (560) [USA-02]	B	54.6/31
	7030005010	S.RES ERJ2GEJ 681 X (68K) [USA-03]		
	7030008370	S.RES ERJ2GEJ 561 X (560) [EUR-02]		
	7030008370	S.RES ERJ2GEJ 561 X (560) [BEA-02]		
	7030008370	S.RES ERJ2GEJ 561 X (560) [GEN-02]		
	7030005010	S.RES ERJ2GEJ 681 X (68K) [GEN-03]		
	7030008370	S.RES ERJ2GEJ 561 X (560) [USA-04]		
	7030008370	S.RES ERJ2GEJ 561 X (560) [RUS-05]		
	7030005010	S.RES ERJ2GEJ 681 X (68K) [USA-05]		
	7030008370	S.RES ERJ2GEJ 561 X (560) [CHN-02]		
	7030008370	S.RES ERJ2GEJ 561 X (560) [CHN-01]		
R89	7030005050	S.RES ERJ2GEJ 103 X (10K)	B	49.3/41.2
R90	7030005170	S.RES ERJ2GEJ 474 X (470K)	B	46.9/25.1
R92	7030005310	S.RES ERJ2GEJ 124 X (120K)	B	46.9/26.1
R93	7030005120	S.RES ERJ2GEJ 102 X (1K)	T	39.8/39.4
R94	7030005100	S.RES ERJ2GEJ 154 X (150K)	T	41.8/40.8
R95	7030005120	S.RES ERJ2GEJ 102 X (1K)	B	49.9/36.4
R96	7030008410	S.RES ERJ2GEJ 392 X (3.9K) [USA-02]	B	49.3/40.1
	7030009140	S.RES ERJ2GEJ 272 X (2.7K) [USA-03]		
	7030008410	S.RES ERJ2GEJ 392 X (3.9K) [EUR-02]		
	7030008410	S.RES ERJ2GEJ 392 X (3.9K) [BEA-02]		
	7030008410	S.RES ERJ2GEJ 392 X (3.9K) [GEN-02]		
	7030009140	S.RES ERJ2GEJ 272 X (2.7K) [GEN-03]		
	7030008410	S.RES ERJ2GEJ 392 X (3.9K) [USA-04]		
	7030008410	S.RES ERJ2GEJ 392 X (3.9K) [RUS-05]		
	7030009140	S.RES ERJ2GEJ 272 X (2.7K) [USA-05]		
	7030008410	S.RES ERJ2GEJ 392 X (3.9K) [CHN-02]		
	7030008410	S.RES ERJ2GEJ 392 X (3.9K) [CHN-01]		
R97	7030005120	S.RES ERJ2GEJ 102 X (1K)	B	49.3/38.1
R98	7030007290	S.RES ERJ2GEJ 222 X (2.2K)	T	53.5/44.1
R100	7030005040	S.RES ERJ2GEJ 472 X (4.7K)	B	52.9/38.8
R101	7030005000	S.RES ERJ2GEJ 471 X (470)	B	51.4/43.3
R103	7030005240	S.RES ERJ2GEJ 473 X (47K)	T	33.1/27.8
R104	7030005230	S.RES ERJ2GEJ 334 X (330K)	T	31.5/26.9
R105	7030005170	S.RES ERJ2GEJ 474 X (470K)	T	32.6/29.1
R106	7030005050	S.RES ERJ2GEJ 103 X (10K)	T	37.5/32
R107	7030005580	S.RES ERJ2GEJ 560 X (56)	B	55.9/43.3
R108	7030005600	S.RES ERJ2GEJ 273 X (27K) [USA-02]	T	44.9/21
	7030008290	S.RES ERJ2GEJ 183 X (18K) [USA-03]		
	7030005600	S.RES ERJ2GEJ 273 X (27K) [EUR-02]		
	7030005600	S.RES ERJ2GEJ 273 X (27K) [BEA-02]		
	7030005600	S.RES ERJ2GEJ 273 X (27K) [GEN-02]		
	7030008290	S.RES ERJ2GEJ 183 X (18K) [GEN-03]		

[MAIN UNIT]

REF NO.	PARTS NO.	DESCRIPTION	M.	H/V LOCATION
R108	7030005600	S.RES ERJ2GEJ 273 X (27K) [USA-04]		
	7030005600	S.RES ERJ2GEJ 273 X (27K) [RUS-05]	T	44.9/21
	7030008290	S.RES ERJ2GEJ 183 X (18K) [USA-05]		
	7030005600	S.RES ERJ2GEJ 273 X (27K) [CHN-02]		
	7030005600	S.RES ERJ2GEJ 273 X (27K) [CHN-01]		
R109	7030005090	S.RES ERJ2GEJ 104 X (100K)	T	43.9/21
R110	7030005240	S.RES ERJ2GEJ 473 X (47K)	T	21.8/34.3
R111	7030005090	S.RES ERJ2GEJ 104 X (100K)	B	27.1/28.7
R113	7030006610	S.RES ERJ2GEJ 394 X (390K)	B	46.9/31.1
R114	7030005100	S.RES ERJ2GEJ 154 X (150K)	B	46.9/29.1
R115	7030007570	S.RES ERJ2GEJ 122 X (1.2K)	T	40.5/32
R116	7030007060	S.RES ERJ2GEJ 684X (680K)	T	43.4/32.7
R117	7030005040	S.RES ERJ2GEJ 472 X (4.7K)	T	35.3/40.1
R118	7030005040	S.RES ERJ2GEJ 472 X (4.7K)	T	37.2/40.1
R123	7030008400	S.RES ERJ2GEJ 182 X (1.8K)	T	75.2/37.7
R124	7030005170	S.RES ERJ2GEJ 474 X (470K)	T	72.7/40.4
R125	7030005110	S.RES ERJ2GEJ 224 X (220K)	T	73.2/38.9
R131	7510001730	S.THE ERTJOEP 473J	T	40.9/28.1
R132	7030010080	S.RES ERJ2RHD 104 X (100K)	T	40.9/27.1
R133	7030005050	S.RES ERJ2GEJ 103 X (10K)	T	84.1/14.2
R134	7030007290	S.RES ERJ2GEJ 222 X (2.2K)	T	74/14.3
R135	7030005050	S.RES ERJ2GEJ 103 X (10K)	T	24.5/24
R136	7030005040	S.RES ERJ2GEJ 472 X (4.7K)	T	22.8/24
R137	7030005050	S.RES ERJ2GEJ 103 X (10K)	T	69.8/14.7
R138	7030005040	S.RES ERJ2GEJ 472 X (4.7K)	T	69.8/16.7
R141	7030005000	S.RES ERJ2GEJ 471 X (470)	T	37/9.9
R142	7030005000	S.RES ERJ2GEJ 471 X (470)	T	43/9.9
R143	7030007340	S.RES ERJ2GEJ 153 X (15K)	T	37.2/24.4
R144	7030005050	S.RES ERJ2GEJ 103 X (10K)	B	46.5/13.7
R145	7030005090	S.RES ERJ2GEJ 104 X (100K)	T	33.4/18.1
R146	7030005090	S.RES ERJ2GEJ 104 X (100K)	T	31.6/18.1
R147	7030007350	S.RES ERJ2GEJ 393 X (39K)	T	33.4/16.1
R148	7030005080	S.RES ERJ2GEJ 823 X (82K)	T	31.6/16.1
R149	7030006610	S.RES ERJ2GEJ 394 X (390K)	T	33.4/12.9
R150	7030008300	S.RES ERJ2GEJ 184 X (180K)	T	33.4/11.9
R151	7030005030	S.RES ERJ2GEJ 152 X (1.5K)	T	33.4/13.9
R152	7030005220	S.RES ERJ2GEJ 223 X (22K)	T	31.1/29.6
R153	7030005220	S.RES ERJ2GEJ 223 X (22K)	T	29.9/29.1
R154	7030005220	S.RES ERJ2GEJ 223 X (22K)	T	28.2/30.1
R155	7030005090	S.RES ERJ2GEJ 104 X (100K)	T	29.8/41.1
R156	7030005170	S.RES ERJ2GEJ 474 X (470K)	T	29.8/40.1
R157	7030007290	S.RES ERJ2GEJ 222 X (2.2K)	T	31.5/39.1
R159	7030008010	S.RES ERJ2GEJ 123 X (12K)	T	15.7/28.8
R160	7030004980	S.RES ERJ2GEJ 101 X (100)	B	5.5/31
R161	7030005040	S.RES ERJ2GEJ 472 X (4.7K)	T	12.9/27.3
R162	7030005050	S.RES ERJ2GEJ 103 X (10K)	T	8.7/29.1
R163	7030005050	S.RES ERJ2GEJ 103 X (10K)	T	14.1/29.8
R164	7030008410	S.RES ERJ2GEJ 392 X (3.9K)	T	15.7/27.8
R165	7030008410	S.RES ERJ2GEJ 392 X (3.9K)	T	12.6/31.9
R166	7030005240	S.RES ERJ2GEJ 473 X (47K)	T	12.6/36.1
R167	7030009290	S.RES ERJ2GEJ 562 X (5.6K)	T	15.7/29.8
R168	7030005000	S.RES ERJ2GEJ 471 X (470)	T	16.3/40.1
R169	7030005100	S.RES ERJ2GEJ 154 X (150K)	T	18/41.1
R170	7030008010	S.RES ERJ2GEJ 123 X (12K)	T	12.9/29.3
R171	7030005100	S.RES ERJ2GEJ 154 X (150K)	T	11.6/36.1
R172	7030005700	S.RES ERJ2GEJ 274 X (270K)	T	18/39.1
R173	7030005310	S.RES ERJ2GEJ 124 X (120K)	T	19.4/26.8
R174	7030005090	S.RES ERJ2GEJ 104 X (100K)	T	19.4/28.8
R175	7030005110	S.RES ERJ2GEJ 224 X (220K)	T	19.4/27.8
R176	7030005100	S.RES ERJ2GEJ 154 X (150K)	T	17.7/27.8
R177	7030005060	S.RES ERJ2GEJ 333 X (33K)	T	17.7/28.8
R178	7030005710	S.RES ERJ2GEJ 121 X (120)	T	19.4/30.7
R179	7030005120	S.RES ERJ2GEJ 102 X (1K)	B	11.5/16.8
R180	7030005160	S.RES ERJ2GEJ 105 X (1M)	T	24.7/40.1
R181	7030005240	S.RES ERJ2GEJ 473 X (47K)	T	21.1/40.1
R182	7030005090	S.RES ERJ2GEJ 104 X (100K)	T	24.7/39.1
R183	7030006020	S.RES RR0510P-682-D (6.8K)	B	17.2/39.1
R184	7030008250	S.RES RR0510P-562-D (5.6K)	B	17.7/40.4
R185	7030005310	S.RES ERJ2GEJ 124 X (120K)	B	18.7/40.4
R186	7030005080	S.RES ERJ2GEJ 823 X (82K)	T	19.4/29.8
R187	7030005120	S.RES ERJ2GEJ 102 X (1K)	B	9/18.2
R190	7030007280	S.RES ERJ2GEJ 331 X (330)	T	34.7/18.9
R191	7030008300	S.RES ERJ2GEJ 184 X (180K)	T	18/4.1
R192	7030005720	S.RES ERJ2GEJ 563 X (56K)	T	18/5.1
R193	7030005220	S.RES ERJ2GEJ 223 X (22K)	T	18/6.1
R194	7030005220	S.RES ERJ2GEJ 223 X (22K)	T	23.9/10.9
R195	7030005050	S.RES ERJ2GEJ 103 X (10K)	T	19.7/4.1
R196	7030005240	S.RES ERJ2GEJ 473 X (47K)	T	23.9/11.9
R197	7030005240	S.RES ERJ2GEJ 473 X (47K)	T	23.9/12.9
R198	7030005240	S.RES ERJ2GEJ 473 X (47K)	T	25.7/12.9
R200	7030005040	S.RES ERJ2GEJ 472 X (4.7K)	T	25.7/14.9
R201	7030005240	S.RES ERJ2GEJ 473 X (47K)	T	23.9/14.9
R206	7030005110	S.RES ERJ2GEJ 224 X (220K)	T	13.4/4.1
R207				

[MAIN UNIT]

REF NO.	PARTS NO.	DESCRIPTION	M.	H/V LOCATION
R232	7030007300	S.RES ERJ2GEJ 332 X (3.3K)	T	93.2/4.4
R233	7030007300	S.RES ERJ2GEJ 332 X (3.3K)	T	92.7/2.8
R234	7030005100	S.RES ERJ2GEJ 154 X (150K)	B	23.3/6.2
R235	7030005090	S.RES ERJ2GEJ 104 X (100K)	B	20.3/4.2
R236	7030005230	S.RES ERJ2GEJ 334 X (330K)	B	23.3/5.2
R237	7030005050	S.RES ERJ2GEJ 103 X (10K)	T	21.1/39.1
R238	7410001140	S.ARR EXB28V104JX	B	40.9/9.5
R240	7030005590	S.RES ERJ2GEJ 680 X (68)	T	99.7/12.9
R251	7030008010	S.RES ERJ2GEJ 123 X (12K)	B	5.9/9.1
R252	7030005530	S.RES ERJ2GEJ 100 X (10)	B	13.7/9.1
R254	7030008010	S.RES ERJ2GEJ 123 X (12K)	B	9.3/10.1
R255	7030008010	S.RES ERJ2GEJ 123 X (12K)	B	7.6/10.1
R256	7030005050	S.RES ERJ2GEJ 103 X (10K)	T	6/8.6
R257	7030005120	S.RES ERJ2GEJ 102 X (1K)	T	9/22.1
R258	7410001140	S.ARR EXB28V104JX	T	6.6/20.6
R259	7030005120	S.RES ERJ2GEJ 102 X (1K)	T	21.6/22.1
R260	7030005090	S.RES ERJ2GEJ 104 X (100K)	T	21.5/25
R261	7410001130	S.ARR EXB28V102JX	T	19.4/19.9
R262	7030005090	S.RES ERJ2GEJ 104 X (100K)	T	21.3/13.9
R263	7030005050	S.RES ERJ2GEJ 103 X (10K)	T	21.3/12.9
R264	7030005240	S.RES ERJ2GEJ 473 X (47K)	T	21.3/10.9
R265	7410001130	S.ARR EXB28V102JX	T	19.7/9.2
R266	7030007340	S.RES ERJ2GEJ 153 X (15K)	T	5.7/18.8
R271	7030005160	S.RES ERJ2GEJ 105 X (1M)	B	10/39.3
R272	7030005160	S.RES ERJ2GEJ 105 X (1M)	B	11/39.3
R273	7030005160	S.RES ERJ2GEJ 105 X (1M)	B	12/39.3
R274	7030005070	S.RES ERJ2GEJ 683 X (68K)	B	15/39.3
R275	7030005090	S.RES ERJ2GEJ 104 X (100K)	B	13/39.3
R276	7030005090	S.RES ERJ2GEJ 104 X (100K)	B	8/39.3
R277	7030005090	S.RES ERJ2GEJ 104 X (100K)	B	9/39.3
R278	7030005090	S.RES ERJ2GEJ 104 X (100K)	B	14/39.3
R280	7030005050	S.RES ERJ2GEJ 103 X (10K)	B	16.2/36.2
R284	7030004980	S.RES ERJ2GEJ 101 X (100)	B	16.3/27
R287	7030007280	S.RES ERJ2GEJ 331 X (330)	T	18.4/24
R288	7030005030	S.RES ERJ2GEJ 152 X (1.5K)	T	14.7/22.7
R291	7030005090	S.RES ERJ2GEJ 104 X (100K)	B	5.9/12.5
R292	7030005090	S.RES ERJ2GEJ 104 X (100K)	B	7.6/12.5
R293	7030008290	S.RES ERJ2GEJ 183 X (18K)	T	61.4/43.4
R294	7030005600	S.RES ERJ2GEJ 273 X (27K)	T	60.4/43.4
R295	7030005240	S.RES ERJ2GEJ 473 X (47K)	B	95.1/43.4
R296	7030003490	S.RES ERJ3GEYJ 272 V (2.7K)	B	91.8/35.3
R297	7030005120	S.RES ERJ2GEJ 102 X (1K)	T	91.3/36.2
R301	7030010040	S.RES ERJ2GEJ-JPW	B	93.1/22.4
R302	7030004990	S.RES ERJ2GEJ 221 X (220)	T	93.3/34.9
R303	7030005040	S.RES ERJ2GEJ 472 X (4.7K)	T	32.8/20.3
R304	7030005090	S.RES ERJ2GEJ 104 X (100K)	T	33.6/21.8
C1	4030017600	S.CER ECJ0EC1H080C [USA-02]	B	94.2/41.5
	4030017590	S.CER ECJ0EC1H070C [USA-03]		
	4030017600	S.CER ECJ0EC1H080C [EUR-02]		
	4030017600	S.CER ECJ0EC1H080C [BEA-02]		
	4030017600	S.CER ECJ0EC1H080C [GEN-02]		
	4030017590	S.CER ECJ0EC1H070C [GEN-03]		
	4030017600	S.CER ECJ0EC1H080C [USA-04]		
	4030017600	S.CER ECJ0EC1H080C [RUS-05]		
	4030017590	S.CER ECJ0EC1H070C [USA-05]		
	4030017600	S.CER ECJ0EC1H080C [CHN-02]		
	4030017600	S.CER ECJ0EC1H080C [CHN-01]		
C2	4030017350	S.CER ECJ0EC1H020B [USA-02]	B	93.2/36
	4030017550	S.CER ECJ0EC1H1R5B [USA-03]		
	4030017350	S.CER ECJ0EC1H020B [EUR-02]		
	4030017350	S.CER ECJ0EC1H020B [BEA-02]		
	4030017350	S.CER ECJ0EC1H020B [GEN-02]		
	4030017550	S.CER ECJ0EC1H1R5B [GEN-03]		
	4030017350	S.CER ECJ0EC1H020B [RUS-05]		
	4030017550	S.CER ECJ0EC1H1R5B [USA-04]		
	4030017350	S.CER ECJ0EC1H020B [RUS-05]		
	4030017550	S.CER ECJ0EC1H1R5B [USA-05]		
	4030017350	S.CER ECJ0EC1H020B [CHN-02]		
	4030017350	S.CER ECJ0EC1H020B [CHN-01]		
C3	4030017600	S.CER ECJ0EC1H080C [USA-02]	B	96.5/33.9
	4030017590	S.CER ECJ0EC1H070C [USA-03]		
	4030017600	S.CER ECJ0EC1H080C [EUR-02]		
	4030017600	S.CER ECJ0EC1H080C [BEA-02]		
	4030017600	S.CER ECJ0EC1H080C [GEN-02]		
	4030017590	S.CER ECJ0EC1H070C [GEN-03]		
	4030017600	S.CER ECJ0EC1H080C [USA-04]		
	4030017600	S.CER ECJ0EC1H080C [RUS-05]		
	4030017590	S.CER ECJ0EC1H070C [USA-05]		
	4030017600	S.CER ECJ0EC1H080C [CHN-02]		
	4030017600	S.CER ECJ0EC1H080C [CHN-01]		
C4	4030017560	S.CER ECJ0EC1H2R5B [USA-02]	B	94.9/33.9
C5	4030017570	S.CER ECJ0EC1H040B [USA-02]	B	94.6/30.2
	4030017360	S.CER ECJ0EC1H030B [USA-03]		
	4030017570	S.CER ECJ0EC1H040B [EUR-02]		
	4030017570	S.CER ECJ0EC1H040B [BEA-02]		
	4030017570	S.CER ECJ0EC1H040B [GEN-02]		
	4030017360	S.CER ECJ0EC1H030B [GEN-03]		
	4030017570	S.CER ECJ0EC1H040B [USA-04]		
	4030017570	S.CER ECJ0EC1H040B [RUS-05]		
	4030017360	S.CER ECJ0EC1H030B [USA-05]		
	4030017570	S.CER ECJ0EC1H040B [CHN-02]		
	4030017570	S.CER ECJ0EC1H040B [CHN-01]		
C6	4030017460	S.CER ECJ0EB1E102K [USA-02]	B	92.8/33.4
C7	4030017460	S.CER ECJ0EB1E102K [USA-03]	B	92.9/29.6
C8	4030017370	S.CER ECJ0EC1H3R5B [EUR-02]	B	93.2/28.1
	4030017580	S.CER ECJ0EC1H060C [USA-03]		
	4030017370	S.CER ECJ0EC1H3R5B [EUR-02]		
	4030017370	S.CER ECJ0EC1H3R5B [BEA-02]		
	4030017370	S.CER ECJ0EC1H3R5B [GEN-02]		
	4030017580	S.CER ECJ0EC1H060C [GEN-03]		
	4030017370	S.CER ECJ0EC1H3R5B [USA-04]		
	4030017370	S.CER ECJ0EC1H3R5B [RUS-05]		
	4030017580	S.CER ECJ0EC1H060C [USA-05]		

[MAIN UNIT]

REF NO.	PARTS NO.	DESCRIPTION	M.	H/V LOCATION
C8	4030017370	S.CER ECJ0EC1H3R5B [CHN-02]		
	4030017370	S.CER ECJ0EC1H3R5B [CHN-01]	B	93.2/28.1
C11	4030006980	S.CER C1608 CH 1H 070D-T [USA-02]	B	91.5/21.9
	4030009530	S.CER C1608 CH 1H 030B-T [USA-03]		
	4030006980	S.CER C1608 CH 1H 070D-T [EUR-02]		
	4030006980	S.CER C1608 CH 1H 070D-T [BEA-02]		
	4030006980	S.CER C1608 CH 1H 070D-T [GEN-02]		
	4030009530	S.CER C1608 CH 1H 030B-T [GEN-03]		
	4030006980	S.CER C1608 CH 1H 070D-T [USA-04]		
	4030006980	S.CER C1608 CH 1H 070D-T [RUS-05]		
	4030006980	S.CER C1608 CH 1H 070D-T [USA-05]		
	4030009530	S.CER C1608 CH 1H 030B-T [USA-05]		
	4030006980	S.CER C1608 CH 1H 070D-T [CHN-02]		
	4030006980	S.CER C1608 CH 1H 070D-T [CHN-01]		
C13	4030007020	S.CER C1608 CH 1H 120J-T [USA-02]	B	88.3/20.8
	4030007000	S.CER C1608 CH 1H 090D-T [USA-03]		
	4030007020	S.CER C1608 CH 1H 120J-T [EUR-02]		
	4030007020	S.CER C1608 CH 1H 120J-T [BEA-02]		
	4030007020	S.CER C1608 CH 1H 120J-T [GEN-02]		
	4030007000	S.CER C1608 CH 1H 090D-T [GEN-03]		
	4030007020	S.CER C1608 CH 1H 120J-T [USA-04]		
	4030007020	S.CER C1608 CH 1H 120J-T [RUS-05]		
	4030007000	S.CER C1608 CH 1H 090D-T [USA-05]		
	4030007020	S.CER C1608 CH 1H 120J-T [CHN-02]		
	4030007020	S.CER C1608 CH 1H 120J-T [CHN-01]		
C14	4030017570	S.CER ECJ0EC1H040B [USA-02]	B	86.8/38.7
C16	4030008560	S.CER C1608 CH 1H 300J-T [USA-03]	B	86.4/21.5
C17	4030017510	S.CER ECJ0EC1H680J [USA-02]	B	83.4/38.7
C18	4030006860	S.CER C1608 JB 1H 102K-T [USA-03]	T	83.6/31.4
C19	4030017460	S.CER ECJ0EB1E102K [USA-02]	B	86/37.7
C20	4030017590	S.CER ECJ0EC1H070C [USA-02]	B	84.1/37.7
C21	4030017410	S.CER ECJ0EC1H240J [RUS-05]	B	85.8/34.3
	4030017400	S.CER ECJ0EC1H220J [USA-03]		
	4030017410	S.CER ECJ0EC1H240J [EUR-02]		
	4030017410	S.CER ECJ0EC1H240J [BEA-02]		
	4030017410	S.CER ECJ0EC1H240J [GEN-02]		
	4030017400	S.CER ECJ0EC1H220J [GEN-03]		
	4030017410	S.CER ECJ0EC1H240J [USA-04]		
	4030017410	S.CER ECJ0EC1H240J [RUS-05]		
	4030017400	S.CER ECJ0EC1H220J [USA-05]		
	4030017410	S.CER ECJ0EC1H240J [CHN-02]		
	4030017410	S.CER ECJ0EC1H240J [CHN-01]		
C22	4030017600	S.CER ECJ0EC1H080C [USA-02]	B	84.1/36.7
	4030017610	S.CER ECJ0EC1H090C [USA-03]		
	4030017600	S.CER ECJ0EC1H080C [EUR-02]		
	4030017600	S.CER ECJ0EC1H080C [BEA-02]		
	4030017600	S.CER ECJ0EC1H080C [GEN-02]		
	4030017600	S.CER ECJ0EC1H080C [USA-04]		
	4030017610	S.CER ECJ0EC1H090C [RUS-05]		
	4030017400	S.CER ECJ0EC1H220J [USA-05]		
	4030017410	S.CER ECJ0EC1H240J [CHN-02]		
	4030017410	S.CER ECJ0EC1H240J [CHN-01]		
	4030017600	S.CER ECJ0EC1H080C [USA-02]		
	4030017610	S.CER ECJ0EC1H090C [USA-03]		
	4030017600	S.CER ECJ0EC1H080C [EUR-02]		
	4030017600	S.CER ECJ0EC1H080C [BEA-02]		
	4030017600	S.CER ECJ0EC1H080C [GEN-02]		
	4030017610	S.CER ECJ0EC1H090C [USA-04]		
	4030017600	S.CER ECJ0EC1H080C [RUS-05]		
	4030017400	S.CER ECJ0EC1H220J [USA-05]		
	4030017410	S.CER ECJ0EC1H240J [CHN-02]		
	4030017410	S.CER ECJ0EC1H240J [CHN-01]		
C23	4030017560	S.CER ECJ0EC1H2R5B [USA-02]	B	82/37.7
	4030017350	S.CER ECJ0EC1H020B [USA-03]		
	4030017560	S.CER ECJ0EC1H2R5B [EUR-02]		
	4030017560	S.CER ECJ0EC1H2R5B [BEA-02]		
	4030017560	S.CER ECJ0EC1H2R5B [GEN-02]		
	4030017350	S.CER ECJ0EC1H020B [GEN-03]		
	4030017560	S.CER ECJ0EC1H2R5B [USA-04]		
	4030017560	S.CER ECJ0EC1H2R5B [RUS-05]		
	4030017350	S.CER ECJ0EC1H020B [USA-05]		
	4030017560	S.CER ECJ0EC1H2R5B [CHN-02]		
	4030017560	S.CER ECJ0EC1H2R5B [CHN-01]		
C24	4030017410	S.CER ECJ0EC1H240J [USA-02]	B	79.7/33.2
C25	4030017600	S.CER ECJ0EC1H080C [USA-03]	B	80.4/36.1
C27	4030017460	S.CER ECJ0EB1E102K [USA-02]	T	83.9/35.7
C28	4030017460	S.CER ECJ0EB1E102K [USA-03]	T	83.9/37.7
C30	4030017590	S.CER ECJ0EC1H070C [USA-05]	B	79.6/37.8
C31	4030017460	S.CER ECJ0EB1E102K [CHN-02]	T	80.4/37.2
C32	4030017460	S.CER ECJ0EB1E102K [CHN-01]	B	75.8/39.9
C33	4030017460	S.CER ECJ0EB1E102K [USA-02]	T	77.1/38.7
C34	4030017420	S.CER ECJ0EC1H470J [USA-03]	T	77.1/39.7
C35	4030016930	S.CER ECJ0EB1A104K [EUR-02]	T	78.8/37.7
C36	4030017460	S.CER ECJ0EB1E102K [BEA-02]	B	71.8/33.3
C37	4030017460	S.CER ECJ0EB1E102K [GEN-02]	B	73.4/34.2
C38	4030017350	S.CER ECJ0EC1H020B [GEN-03]	B	74.8/37.7
C39	4030017620	S.CER ECJ0EC1H100C [USA-04]	B	73.5/38.8
C40	4030017520	S.CER ECJ0EC1H0R3B [RUS-05]	B	73.5/39.8
C41	4030017380	S.CER ECJ0EC1H050B [USA-02]	B	68.5/39.2
	4030017570	S.CER ECJ0EC1H040B [USA-03]		
	4030017380	S.CER ECJ0EC1H050B [EUR-02]		
	4030017380	S.CER ECJ0EC1H050B [BEA-02]		
	4030017380	S.CER ECJ0EC1H050B [GEN-02]		
	4030017570	S.CER ECJ0EC1H040B [GEN-03]		
	4030017380	S.CER ECJ0EC1H050B [USA-04]		
	4030017380	S.CER ECJ0EC1H050B [RUS-05]		
	4030017570	S.CER ECJ0EC1H040B [USA-05]		
	4030017380	S.CER ECJ0EC1H050B [CHN-02]		
	40300173			





[MAIN UNIT]

REF NO.	PARTS NO.	DESCRIPTION	M.	H/V LOCATION
C133	4030017640	S.CER ECJ0EC1H150J [USA-02]	T	51.1/31
C133	4030017630	S.CER ECJ0EC1H120J [USA-03]	T	51.1/31
	4030017640	S.CER ECJ0EC1H150J [EUR-02]		
	4030017640	S.CER ECJ0EC1H150J [BEA-02]		
	4030017640	S.CER ECJ0EC1H150J [GEN-02]		
	4030017630	S.CER ECJ0EC1H120J [GEN-03]		
	4030017640	S.CER ECJ0EC1H150J [USA-04]		
	4030017640	S.CER ECJ0EC1H150J [RUS-05]		
	4030017630	S.CER ECJ0EC1H120J [USA-05]		
	4030017640	S.CER ECJ0EC1H150J [CHN-02]		
	4030017640	S.CER ECJ0EC1H150J [CHN-01]		
C134	4030017390	S.CER ECJ0EC1H180J [USA-02]	T	50.6/36.3
	4030017630	S.CER ECJ0EC1H120J [USA-03]		
	4030017390	S.CER ECJ0EC1H180J [EUR-02]		
	4030017390	S.CER ECJ0EC1H180J [BEA-02]		
	4030017390	S.CER ECJ0EC1H180J [GEN-02]		
	4030017630	S.CER ECJ0EC1H120J [GEN-03]		
	4030017390	S.CER ECJ0EC1H180J [USA-04]		
	4030017390	S.CER ECJ0EC1H180J [RUS-05]		
	4030017630	S.CER ECJ0EC1H120J [USA-05]		
	4030017390	S.CER ECJ0EC1H180J [CHN-02]		
	4030017390	S.CER ECJ0EC1H180J [CHN-01]		
C135	4030017460	S.CER ECJ0EB1E102K	T	48.4/34.4
C136	4030016930	S.CER ECJ0EB1A104K	T	48.4/35.4
C137	4030016790	S.CER ECJ0EB1C103K	T	57.7/44.1
C138	4030017460	S.CER ECJ0EB1E102K	B	49.6/28.4
C139	4030016930	S.CER ECJ0EB1A104K	B	56.7/28.9
C140	4030016930	S.CER ECJ0EB1A104K	T	43.4/34.7
C141	4030017460	S.CER ECJ0EB1E102K	B	50.1/42.4
C142	4030017460	S.CER ECJ0EB1E102K	T	42.9/21
C143	4030017460	S.CER ECJ0EB1E102K	B	52/42.3
C144	4030017420	S.CER ECJ0EC1H470J	B	49.6/29.3
C145	4030017420	S.CER ECJ0EC1H470J	B	47.1/23.9
C146	4550002070	S.TAN TEESVA 1E 474M8R	B	52.6/32.7
C147	4550000460	S.TAN TEESVA 1C 105M8R	B	47.5/41.4
C148	4550006250	S.TAN TEESVA 1A 106M8R	T	50.1/44.1
C149	4030017460	S.CER ECJ0EB1E102K	T	43.8/39.1
C150	4030018860	S.CER ECJ0EB0J105K	T	43.9/22.7
C151	4030016930	S.CER ECJ0EB1A104K	T	40.2/40.8
C152	4030017420	S.CER ECJ0EC1H470J	T	35.3/41.1
C153	4030017420	S.CER ECJ0EC1H470J	T	37.2/41.1
C154	4030017420	S.CER ECJ0EC1H470J	T	38/39.1
C155	4030017420	S.CER ECJ0EC1H470J	T	43.8/38.1
C156	4030017460	S.CER ECJ0EB1E102K	T	39.5/32
C157	4030017620	S.CER ECJ0EC1H100C	T	38.5/32
C158	4030016930	S.CER ECJ0EB1A104K	T	36.1/31.4
C159	4030017460	S.CER ECJ0EB1E102K	T	36.1/32.4
C160	4030016930	S.CER ECJ0EB1A104K	B	20.2/33.7
C161	4030017620	S.CER ECJ0EC1H100C	T	43.4/33.7
C162	4030017500	S.CER ECJ0EC1H560J	T	43.9/28.1
C163	4030017570	S.CER ECJ0EC1H040B	T	42.5/27.6
C164	4030017590	S.CER ECJ0EC1H070C	T	43.9/27.1
C165	4030016790	S.CER ECJ0EB1C103K	T	43.4/31.7
C166	4030017360	S.CER ECJ0EC1H030B	T	43.2/24.7
C167	4030016930	S.CER ECJ0EB1A104K	B	55.8/23.3
C168	4030016930	S.CER ECJ0EB1A104K	B	56.6/19.8
C169	4030016930	S.CER ECJ0EB1A104K	B	56.6/18.8
C170	4030017460	S.CER ECJ0EB1E102K	T	91.5/34.2
C171	4030017420	S.CER ECJ0EC1H470J	T	91.5/35.2
C173	4030017460	S.CER ECJ0EB1E102K	T	82.3/37.3
C175	4030017360	S.CER ECJ0EC1H030B [USA-02]	B	97.1/41.5
	4030017560	S.CER ECJ0EC1H2R5B [USA-03]		
	4030017360	S.CER ECJ0EC1H030B [EUR-02]		
	4030017360	S.CER ECJ0EC1H030B [BEA-02]		
	4030017360	S.CER ECJ0EC1H030B [GEN-02]		
	4030017560	S.CER ECJ0EC1H2R5B [GEN-03]		
	4030017360	S.CER ECJ0EC1H030B [USA-04]		
	4030017360	S.CER ECJ0EC1H030B [RUS-05]		
	4030017560	S.CER ECJ0EC1H2R5B [USA-05]		
	4030017360	S.CER ECJ0EC1H030B [CHN-02]		
	4030017360	S.CER ECJ0EC1H030B [CHN-01]		
C176	4030017460	S.CER ECJ0EB1E102K	T	77.7/20.4
C177	4030009910	S.CER C1608 CH 1H 040B-T [USA-02]	B	90.7/33.4
	4030009910	S.CER C1608 CH 1H 040B-T [USA-03]		
	4030009910	S.CER C1608 CH 1H 040B-T [EUR-02]		
	4030009910	S.CER C1608 CH 1H 040B-T [BEA-02]		
	4030009910	S.CER C1608 CH 1H 040B-T [GEN-02]		
	4030009910	S.CER C1608 CH 1H 040B-T [GEN-03]		
	4030009910	S.CER C1608 CH 1H 040B-T [USA-04]		
	4030009910	S.CER C1608 CH 1H 040B-T [RUS-05]		
	4030017570	S.CER ECJ0EC1H040B [USA-05]		
	4030009910	S.CER C1608 CH 1H 040B-T [CHN-02]		
	4030009910	S.CER C1608 CH 1H 040B-T [CHN-01]		
C178	4030017420	S.CER ECJ0EC1H470J	T	77.7/21.3
C179	4030006860	S.CER C1608 JB 1H 102K-T	T	86.6/31.4
C180	4030017420	S.CER ECJ0EC1H470J	T	67.1/32.3
C182	4030017600	S.CER ECJ0EC1H080C [USA-02]	T	68.8/31.6
	4030017590	S.CER ECJ0EC1H070C [USA-03]		
	4030017600	S.CER ECJ0EC1H080C [EUR-02]		
	4030017600	S.CER ECJ0EC1H080C [BEA-02]		
	4030017600	S.CER ECJ0EC1H080C [GEN-02]		
	4030017590	S.CER ECJ0EC1H070C [GEN-03]		
	4030017600	S.CER ECJ0EC1H080C [USA-04]		
	4030017600	S.CER ECJ0EC1H080C [RUS-05]		
	4030017590	S.CER ECJ0EC1H070C [USA-05]		
	4030017600	S.CER ECJ0EC1H080C [CHN-02]		
	4030017600	S.CER ECJ0EC1H080C [CHN-01]		
C183	4030017420	S.CER ECJ0EC1H470J	T	74.1/24
C185	4030017530	S.CER ECJ0EC1HOR5B	B	90.7/35.7
C186	4030017530	S.CER ECJ0EC1HOR5B	B	92.1/38.7
C188	4030017460	S.CER ECJ0EB1E102K	B	47.5/20.7
C196	4030017420	S.CER ECJ0EC1H470J	B	62.5/39
C197	4030017460	S.CER ECJ0EB1E102K	B	62.5/39.9
C202	4030016930	S.CER ECJ0EB1A104K	T	48.4/33.4

[MAIN UNIT]

REF NO.	PARTS NO.	DESCRIPTION	M.	H/V LOCATION
C203	4030017460	S.CER ECJ0EB1E102K	B	46.9/30.1
C205	4030017380	S.CER ECJ0EC1H050B	B	56.3/39.7
C206	4030017590	S.CER ECJ0EC1H070C	B	55.9/41.3
C208	4030017590	S.CER ECJ0EC1H070C	B	54.2/42.3
C209	4030017460	S.CER ECJ0EB1E102K	B	54.2/43.3
C211	4030018910	S.CER C1608 JB 0J 475K-T	B	36.1/21.9
C213	4030017460	S.CER ECJ0EB1E102K	T	31.5/27.8
C221	4030016930	S.CER ECJ0EB1A104K	T	32.3/31.6
C222	4030016930	S.CER ECJ0EB1A104K	T	19.2/34
C223	4030016930	S.CER ECJ0EB1A104K	B	29.7/9
C224	4030016930	S.CER ECJ0EB1A104K	T	40.9/29.1
C225	4030017460	S.CER ECJ0EB1E102K	B	83/11.6
C226	4550005980	S.TAN TEESVA 1A 475M8R	B	81.2/13.5
C227	4030016790	S.CER ECJ0EB1C103K	B	86.9/13
C228	4510008540	S.ELE EEE1CA100SR	B	89.4/15.7
C229	4030017460	S.CER ECJ0EB1E102K	B	85.8/17.8
C230	4030016930	S.CER ECJ0EB1A104K	B	85.8/16.8
C231	4030016790	S.CER ECJ0EB1C103K	T	74/13.3
C232	4030017730	S.CER ECJ0EB1E471K	T	76.2/13.3
C233	4030016790	S.CER ECJ0EB1C103K	T	24.5/23
C234	4030017460	S.CER ECJ0EB1E102K	T	24.2/27.8
C235	4030016790	S.CER ECJ0EB1C103K	T	69.8/15.7
C236	4030017460	S.CER ECJ0EB1E102K	T	69.8/17.7
C237	4510008660	S.ELE EEE0JA220SR	B	76/15.5
C238	4030017460	S.CER ECJ0EB1E102K	B	77/18.4
C241	4030016930	S.CER ECJ0EB1A104K	T	35.4/9.9
C242	4030016930	S.CER ECJ0EB1A104K	T	44.7/9.9
C243	4030016790	S.CER ECJ0EB1C103K	T	40.5/9.9
C244	4030016930	S.CER ECJ0EB1A104K	B	46.5/15.4
C251	4030016970	S.CER ECJ0EB1C223K	T	33.4/17.1
C252	4030017740	S.CER ECJ0EB1E821K	T	29.9/16.1
C253	4030017740	S.CER ECJ0EB1E821K	T	33.4/14.9
C254	4030016930	S.CER ECJ0EB1A104K	T	33.4/10.9
C255	4030016950	S.CER ECJ0EB1A473K	B	34.5/12.1
C256	4030016940	S.CER ECJ0EB1A393K	T	29.9/28.1
C257	4030016930	S.CER ECJ0EB1A104K	T	29.9/30.1
C258	4030017790	S.CER ECJ0EB1E682K	T	26.6/30.1
C259	4030018860	S.CER ECJ0EB0J105K	T	31.5/41.1
C260	4030017730	S.CER ECJ0EB1E471K	T	29.8/39.1
C261	4030016930	S.CER ECJ0EB1A104K	T	31.5/40.1
C264	4510008540	S.ELE EEE1CA100SR	B	69.7/15.5
C265	4030017460	S.CER ECJ0EB1E102K	B	64.4/12.3
C266	4030016930	S.CER ECJ0EB1A104K	B	63/8.5
C269	4030017720	S.CER ECJ0EB1H331K	T	11.6/37.9
C270	4030016950	S.CER ECJ0EB1A473K	T	14.1/28.8
C271	4030016950	S.CER ECJ0EB1A473K	T	14.1/26.8
C272	4030016950	S.CER ECJ0EB1A473K	T	10.6/28.5
C273	4030016950	S.CER ECJ0EB1A473K	T	14.1/27.8
C274	4030016950	S.CER ECJ0EB1A473K	T	11.6/31.9
C275	4030016970	S.CER ECJ0EB1C223K	T	11.6/34.4
C276	4030016950	S.CER ECJ0EB1A473K	T	12.6/34.4
C277	4030016930	S.CER ECJ0EB1A104K	T	14.6/40.1
C278	4030017430	S.CER ECJ0EC1H101J	T	18/40.1
C279	4030018910	S.CER C1608 JB 0J 475K-T	T	36.9/23.2
C280	4030017780	S.CER ECJ0EB1E472K	T	21.3/27.8
C281	4030018920	S.CER ECJ0EB1H392K	T	17.7/26.8
C282	4030017710	S.CER ECJ0EC1H181J	T	17.7/29.8
C283	4030018900	S.CER ECJ0EB0J474K	T	19.4/31.7
C284	4030016930	S.CER ECJ0EB1A104K	T	22.9/39.1
C285	4030016930	S.CER ECJ0EB1A104K	T	22.9/40.1
C286	4030017460	S.CER ECJ0EB1E102K	B	16.7/40.4
C287	4550006250	S.TAN TEESVA 1A 106M8R	B	21.8/40.7
C288	4030017460	S.CER ECJ0EB1E102K	B	17.2/38.4
C289	4030016930	S.CER ECJ0EB1A104K	B	20.2/31
C290	4030016930	S.CER ECJ0EB1A104K	T	27.5/16.2
C291	4030016780	S.CER ECJ0EB1C153K	T	25.7/10.9
C292	4030016930	S.CER ECJ0EB1A104K	T	25.7/13.9
C293	4030017740	S.CER ECJ0EB1E821K	T	25.7/11.9
C295	4030018110	S.CER ECJ0EB1H272K	T	29.1/5.1
C296	4030018240	S.CER ECJ0EB1E562K	T	29.1/6.1
C297	4030017710	S.CER ECJ0EC1H181J	T	27.1/7.1
C298	4030018090	S.CER ECJ0EB1C822K	T	31/7.1

[MAIN UNIT]

REF NO.	PARTS NO.	DESCRIPTION	M.	H/V LOCATION
C342	4030017630	S.CER ECJ0EC1H120J	B	18.3/4.2
C343	4030017580	S.CER ECJ0EC1H060C	B	5.6/4.2
C344	4030017640	S.CER ECJ0EC1H150J	B	7.6/9.1
C345	4030016930	S.CER ECJ0EB1A104K	B	11/11.2
C346	4030016930	S.CER ECJ0EB1A104K	B	11/10.1
C347	4030016790	S.CER ECJ0EB1C103K	T	8.8/6.5
C348	4030016930	S.CER ECJ0EB1A104K	T	6/10
C349	4030016930	S.CER ECJ0EB1A104K	T	21.3/14.9
C350	4030017460	S.CER ECJ0EB1E102K	T	59.4/43.4
C354	4030017460	S.CER ECJ0EB1E102K	T	14.2/24.4
C355	4030018080	S.CER ECJ0EB1H182K	T	42.9/22.7
C356	4030018910	S.CER C1608 JB 0J 475K-T	T	34.6/20.6
C357	4030017400	S.CER ECJ0EC1H220J [USA-02]	T	79/25.5
	4030017400	S.CER ECJ0EC1H220J [EUR-02]		
	4030017400	S.CER ECJ0EC1H220J [BEA-02]		
	4030017400	S.CER ECJ0EC1H220J [GEN-02]		
	4030017400	S.CER ECJ0EC1H220J [USA-04]		
	4030017400	S.CER ECJ0EC1H220J [RUS-05]		
	4030017400	S.CER ECJ0EC1H220J [CHN-02]		
	4030017400	S.CER ECJ0EC1H220J [CHN-01]		
J1	6510021901	S.CON BM02B-ASRS-TF(LF)(SN)	T	86.6/6.8
J2	6450001680	CON HSJ1122-010010		
J3	6450002250	CON HSJ1456-010320		
J4	6510018430	S.CON AXN330C038P	B	11.8/30.6
F1	5210000830	S.FUS ERBFE3R00U	T	98/14.5
DS1	5040002670	S.LED CL-165HR/YG	T	102.8/12.4
MC1	7700002750	MIC EM9745P-38-G <HOR>		
S1	2260002840	SWI SKHLLFA010		
S2	2260002800	S.SWI SW-167 (SKQTLAE010)	B	99.4/44.2
S3	2260002800	S.SWI SW-167 (SKQTLAE010)	B	60.9/44.2
S4	2250000490	ENC TP70TF5163-15.9F-2775		
EP1	6910015370	S.BEA ACZ1005Y-102-T	T	57/29.9
EP3	6910015370	S.BEA ACZ1005Y-102-T	T	34.7/32
MP1	8410002531	S.HEA 2681 PA HEATSINK-1	B	79/28.2
MP3	8510016470	S.CAS 2775 VCO CASE	T	54.1/33.2

[MAIN-B UNIT]

REF NO.	PARTS NO.	DESCRIPTION	M.	H/V LOCATION
IC1	1110003201	S.IC TA31136FNG(EL)	B	51.8/19
IC2	1130000851	S.IC TC75S51F(TE85L,F)	T	68.9/21
IC4	1140005991	S.IC MB15A02PFV1-G-BND-ERE1	T	38.3/35.7
IC5	1110005340	S.IC NJM12902V-TE1-#ZZZB	T	29.7/11.6
IC6	1110005320	S.IC NJM13403V-TE1-#ZZZB	T	15.9/34.6
IC7	1110005330	S.IC NJM12904V-TE1-#ZZZB	T	29.2/34.6
IC8	1190000350	S.IC M62363FP-650C	T	40.3/15.2
IC9	1110005350	S.IC NJM2870F05-TE1-#FZZB	B	84.2/14.2
IC10	1130011770	S.IC CD4066BPWR	T	22.9/34.6
IC12	1110001811	S.IC TA7368FG(5,ER)	T	89.3/13.2
IC13	1140012721	S.IC HD6433687C73FPV(FX-2775A-1)	T	12.5/14.3
IC14	1110006260	S.IC BD5242G-TR	T	6.6/5.9
IC15	1130011540	S.IC BR24L16FV-WE2	B	16/11.6
Q1	1560000841	S.FET 2SK1829(TE85R,F)	T	75/39.6
Q2	1580000731	S.FET 3SK293(TE85L,F)	B	76.8/37.9
Q3	1580000800	S.FET 3SK324UG-TL-E	B	66.2/37.9
Q4	1530002601	S.TRA 2SC4215-O(TE85R,F)	B	51.4/23.1
Q5	1530000371	S.TRA 2SC3356-T1B S (R25)	T	74.3/33.5
Q6	1590003230	S.TRA UNR9113J-(TX)	T	72.5/19.1
Q7	1560001232	S.FET RD07MVS2-T112	T	82.6/27
Q8	1560001241	S.FET RD01MUS1-T113	T	76.1/27.5
Q9	1530003311	S.TRA 2SC5107-O(TE85R,F)	T	67/30.3
Q10	1530003311	S.TRA 2SC5107-O(TE85R,F)	T	59.4/36.3
Q11	1530003311	S.TRA 2SC5107-O(TE85R,F)	B	56.3/37
Q12	1530003311	S.TRA 2SC5107-O(TE85R,F)	T	59/31.5
Q13	1530002920	S.TRA 2SC4226-T1 R25	T	54.9/30.7
Q14	1530002920	S.TRA 2SC4226-T1 R25	T	54.2/37.1
Q15	1590001400	S.TRA XP1214(TX)	B	56.5/32.6
Q16	1590003290	S.TRA UNR9213J-(TX)	B	59.1/32.6
Q17	1530002851	S.TRA 2SC4116-BL(TE85R,F)	T	55.5/44.1
Q18	1560000541	S.FET 2SK880-Y(T5RICOM,F)	B	51.5/40.4
Q19	1530002851	S.TRA 2SC4116-BL(TE85R,F)	T	43.3/29.9
Q21	1510000920	S.TRA 2SA1577 T106 Q	T	71.9/16.4
Q22	1510000920	S.TRA 2SA1577 T106 Q	T	24.9/25.9
Q23	1520000460	S.TRA 2SB1132 T100 R	T	81/15.2
Q24	1590001190	S.TRA XP6501-(TX).AB	T	76.3/15.1
Q25	1590003230	S.TRA UNR9113J-(TX)	T	75.7/11.7
Q26	1590003290	S.TRA UNR9213J-(TX)	T	49.7/18.4
Q27	1590003290	S.TRA UNR9213J-(TX)	T	24.8/16.7
Q28	1590003430	S.TRA UNR911HJ-(TX)	B	63.1/10.6
Q29	1590003270	S.TRA UNR9210J-(TX)	B	35.7/9.2
Q30	1510001080	S.TRA 2SA2048 TLR	T	91.9/8.6
Q31	1590001190	S.TRA XP6501-(TX).AB	T	91.4/5.2
Q32	1590003020	S.TRA XP4216-(TX)	T	16.5/23.1
Q33	1590003230	S.TRA UNR9113J-(TX)	T	19.9/22.5
Q34	1560001360	S.FET 2SK3019 TL	T	10.7/30.1
Q35	1560001360	S.FET 2SK3019 TL	T	9.1/26.6
D1	1750001080	S.DIO RB886G T2R	B	90.2/38.7
D2	1750000581	S.DIO 1SV307(TPH3,F)	B	91.5/31.1
D3	1750000711	S.VAR HVC350BTRF-E	B	87.5/33.5
D4	1750000711	S.VAR HVC350BTRF-E	B	87.5/34.8
D5	1790001260	S.DIO MA2S077-(TX)	B	87.4/36.7
D6	1790001240	S.DIO MA2S728-(TX)	B	85/39.9
D7	1750000711	S.VAR HVC350BTRF-E	B	81.8/33.5
D8	1750000711	S.VAR HVC350BTRF-E	B	81.8/34.8
D9	1750000711	S.VAR HVC350BTRF-E	B	73.6/35.9
D10	1750000711	S.VAR HVC350BTRF-E	B	72.2/35.9
D14	1790001260	S.DIO MA2S077-(TX)	T	65.8/35.3
D15	1790001260	S.DIO MA2S077-(TX)	T	65.8/36.7
D16	1750000771	S.VAR HVC376BTRF-E	T	52.6/38.9
D17	1750000771	S.VAR HVC376BTRF-E	T	49.4/28.3
D18	1720000570	S.VAR MA368(TX)	B	49.6/26.9
D21	1750000831	S.VAR HVC362TRF-E	T	50.5/33.7
D22	1750000831	S.VAR HVC362TRF-E	T	50.5/35.2
D24	1790001250	S.DIO MA2S111-(TX)	T	41.5/39.2
D25	1790001250	S.DIO MA2S111-(TX)	T	70.5/40.4
D26	1790001790	S.DIO RB876W TL	B	35.7/7.1
D27	1750000520	S.DIO DAN222TL	B	21.3/6
D28	1790001260	S.DIO MA2S077-(TX)	B	8.5/11.2
D29	1750000940	S.DIO ISS400 TE61	B	23.1/4
D30	1750001080	S.DIO RB886G T2R	T	88.5/36.2
F11	2030000150	S.MON DSF753SB 46.350 MHz(FL-335)	B	62.8/27.1
F12	2020001840	CER ALFYM450F=K		
F13	2040001440	S.LC NFE31PT152Z1E9L (NFM60R20T152)	B	81.2/17.8
X1	6070000191	S.DIS CDBKB450KCAY24-R0	T	54.4/20
X2	6050011940	S.XTA CR-783 TTS14VSB-A6 15.3 MHz	T	36.9/28.9
X3	6050011720	S.XTA CR-764 SMD-49TB 19.6608 MHz	B	12/5.9
L1	6200012490	S.COI 0.30-0.9-6TR 13.6N <COMO>	B	94.7/36.4
L2	6200013010	S.COI 0.30-0.9-5TL 10.3N <COMO>	B	94.8/31.9
L3	6200012610	S.COI 0.40-0.9-2TL 2.8N <COMO>	B	92.9/26.3
L4	6200012610	S.COI 0.40-0.9-2TL 2.8N <COMO>	B	89.9/20.6
L5	6200010850	S.COI LQW18AN22NG00D (LQW1608A22NG00)	B	89.1/36.5
L7	6200007710	S.COI LQW2BHN27NJ03L	B	84.3/34.5
L8	6200007710	S.COI LQW2BHN27NJ03L	B	78.9/35.3
L9	6200007230	S.COI LQW2BHN15NJ03L	B	75.9/35.2
L11	6200007690	S.COI LQW2BHN18NJ03L	B	70.6/37.8
L12	6200011001	S.COI ELJRF 56NJFB	B	64.2/39
L13	6200007850	S.COI ELJNC R82K-F	B	66.8/33.9
L15	6200002851	S.COI NLV25T-R82J	T	93.8/31.8
L17	6200012980	S.COI 0.40-1.4-5TR 18.3N <COMO>	B	81.2/20.9
L19	6200005681	S.COI ELJRE 15NGFA	T	76/35.5
L20	6200005691	S.COI ELJRE 18NGFA	T	68.8/33.1

M.=Mounted side (T: Mounted on the Top side, B: Mounted on the Bottom side) S.=Surface mount

[MAIN-B UNIT]

REF NO.	PARTS NO.	DESCRIPTION	M.	H/V LOCATION
L21	6200007881	S.COI ELJRF 33NJFB	T	59.2/38.6
L22	6200007901	S.COI ELJRF 22NJFB	T	59.5/33.3
L23	6200002851	S.COI NLV25T-R82J	T	55.2/28.1
L25	6200013630	S.COI 0.30-0.9-3TR 5.8N 5PER <COMO>	T	49.5/29.9
L26	6200013580	S.COI 0.30-0.9-4TR 5PER <COMO>	T	49/37.9
L27	6200004951	S.COI NLV25T-1R8J	B	52.8/29
L28	6200004951	S.COI NLV25T-1R8J	B	52/36.6
L29	6200004660	S.COI MLF1608A 1R8K-T	T	43.9/36.4
L30	6200007881	S.COI ELJRF 33NJFB	B	85.1/38.7
L32	6200007911	S.COI ELJRF 18NJFB	B	55.9/42.3
L33	6200004480	S.COI MLF1608D R82K-T	T	43.4/25.9
L35	6200003540	S.COI MLF1608D R22K-T	T	41.7/31.8
L38	6200005711	S.COI ELJRE 27NGFA	B	65.6/40.7
L40	6200002851	S.COI NLV25T-R82J	T	53.6/34.6
L41	6200011001	S.COI ELJRF 56NJFB	B	58.4/38.2
L42	6200004951	S.COI NLV25T-1R8J	B	49.4/34
L43	6200004951	S.COI NLV25T-1R8J	B	49.4/31.1
L45	6200012490	S.COI 0.30-0.9-6TR 13.6N <COMO>	B	94.9/39.6
R1	7030003490	S.RES ERJ3GGEYJ 272 V (2.7K)	B	91.8/39.9
R2	7030005120	S.RES ERJ2GEJ 102 X (1K)	B	92.1/37.7
R3	7030004970	S.RES ERJ2GEJ 470 X (47)	T	66.7/22.7
R4	7030005050	S.RES ERJ2GEJ 103 X (10K)	T	75.8/20.8
R5	7030005050	S.RES ERJ2GEJ 103 X (10K)	T	73.3/21.1
R6	7030005090	S.RES ERJ2GEJ 104 X (100K)	T	66.7/18.2
R7	7030005310	S.RES ERJ2GEJ 124 X (120K)	T	68/17.2
R8	7030005170	S.RES ERJ2GEJ 474 X (470K)	T	71.3/21.1
R9	7030008280	S.RES ERJ2GEJ 271 X (270)	T	71.3/22.4
R10	7030005120	S.RES ERJ2GEJ 102 X (1K)	T	68.4/24
R11	7030005090	S.RES ERJ2GEJ 104 X (100K)	T	85.5/36.7
R12	7030005530	S.RES ERJ2GEJ 100 X (10)	T	77.5/37.5
R13	7030005090	S.RES ERJ2GEJ 104 X (100K)	T	82.3/35.7
R14	7030005050	S.RES ERJ2GEJ 103 X (10K)	T	83.9/36.7
R15	7030005240	S.RES ERJ2GEJ 473 X (47K)	B	79.1/39
R16	7030004980	S.RES ERJ2GEJ 101 X (100)	B	74.8/39.9
R17	7030004970	S.RES ERJ2GEJ 470 X (47)	B	74/33.3
R18	7030005050	S.RES ERJ2GEJ 103 X (10K)	T	78.8/36.7
R19	7030005080	S.RES ERJ2GEJ 823 X (82K)	T	78.8/38.7
R20	7030005120	S.RES ERJ2GEJ 102 X (1K)	B	75.9/33.6
R21	7030005110	S.RES ERJ2GEJ 224 X (220K)	T	72.2/38.9
R22	7030005050	S.RES ERJ2GEJ 103 X (10K)	T	69.2/38.9
R23	7030005110	S.RES ERJ2GEJ 224 X (220K)	T	71.2/38.9
R24	7030005050	S.RES ERJ2GEJ 103 X (10K)	T	64.6/38
R25	7030007340	S.RES ERJ2GEJ 153 X (15K)	B	68/37.8
R26	7030007340	S.RES ERJ2GEJ 153 X (15K)	B	64.2/38.1
R27	7030005310	S.RES ERJ2GEJ 124 X (120K)	B	62.5/38.1
R28	7030005080	S.RES ERJ2GEJ 823 X (82K)	B	62.5/40.8
R29	7030004980	S.RES ERJ2GEJ 101 X (100)	B	64.2/35.1
R30	7030005000	S.RES ERJ2GEJ 471 X (470)	B	67.7/35.7
R31	7030004980	S.RES ERJ2GEJ 101 X (100)	B	64.2/32.1
R32	7030004980	S.RES ERJ2GEJ 101 X (100)	B	66.1/31.1
R33	7030007270	S.RES ERJ2GEJ 151 X (150)	B	55.5/25.2
R34	7030005110	S.RES ERJ2GEJ 224 X (220K)	B	52.5/25.2
R35	7030004980	S.RES ERJ2GEJ 101 X (100)	B	50.5/25.2
R36	7030007300	S.RES ERJ2GEJ 332 X (3.3K)	T	52.5/15.5
R37	7030009140	S.RES ERJ2GEJ 272 X (2.7K)	T	50.7/16.3
R38	7030005090	S.RES ERJ2GEJ 104 X (100K)	T	46.5/21
R39	7030004970	S.RES ERJ2GEJ 470 X (47)	B	55.8/22.3
R40	7030007270	S.RES ERJ2GEJ 151 X (150)	B	56.2/21.1
R43	7030004970	S.RES ERJ2GEJ 470 X (47)	B	47.5/15.4
R44	7030005090	S.RES ERJ2GEJ 104 X (100K)	B	54.8/15.4
R45	7030005090	S.RES ERJ2GEJ 104 X (100K)	B	52.8/13.7
R46	7030005000	S.RES ERJ2GEJ 471 X (470)	B	53.8/13.7
R48	7030005000	S.RES ERJ2GEJ 471 X (470)	B	51.5/25.2
R50	7030004980	S.RES ERJ2GEJ 101 X (100)	T	66.3/38
R51	7030003670	S.RES ERJ3GGEYJ 823 V (82K)	B	96.5/37.3
R52	7030004990	S.RES ERJ2GEJ 221 X (220)	T	93.3/35.9
R53	7030005530	S.RES ERJ2GEJ 100 X (10)	T	80/22.5
R54	7030005060	S.RES ERJ2GEJ 333 X (33K)	T	81.3/21.6
R55	7030005040	S.RES ERJ2GEJ 472 X (4.7K)	T	80/20.9
R56	7030003860	S.RES ERJ3GE JPW V	T	78/22.4
R57	7030004970	S.RES ERJ2GEJ 470 X (47)	T	75.2/23.2
R59	7030005040	S.RES ERJ2GEJ 472 X (4.7K)	T	71.2/24
R61	7030004970	S.RES ERJ2GEJ 470 X (47)	T	71.8/36.3
R62	7030005220	S.RES ERJ2GEJ 223 X (22K)	T	72.1/35
R65	7030004980	S.RES ERJ2GEJ 101 X (100)	T	69.4/34.2
R66	7030007340	S.RES ERJ2GEJ 153 X (15K)	T	67.8/34.2
R67	7030004980	S.RES ERJ2GEJ 101 X (100)	T	67.8/35.1
R68	7030005050	S.RES ERJ2GEJ 103 X (10K)	T	69.4/35.1
R69	7030005040	S.RES ERJ2GEJ 472 X (4.7K)	T	64.1/35.2
R70	7030005530	S.RES ERJ2GEJ 100 X (10)	B	57.6/40.3
R71	7030005070	S.RES ERJ2GEJ 683 X (68K)	T	58.2/38.6
R73	7030004980	S.RES ERJ2GEJ 101 X (100)	B	57.7/30.5
R75	7030005110	S.RES ERJ2GEJ 224 X (220K)	B	58.4/36.1
R76	7030004980	S.RES ERJ2GEJ 101 X (100)	B	57.6/39.3
R77	7030005050	S.RES ERJ2GEJ 103 X (10K)	B	56.7/30.5
R78	7030005090	S.RES ERJ2GEJ 104 X (100K)	T	57.8/33.3
R79	7030006020	S.RES RR0510P-682-D (6.8K)	T	56.5/39.1
R80	7030005000	S.RES ERJ2GEJ 471 X (470)	B	54.6/32.8
R82	7030009320	S.RES ERJ2GEJ 4R7 X (4.7)	T	52.6/32
R83	7030006020	S.RES RR0510P-682-D (6.8K)	T	54.1/32.6
R84	7030006020	S.RES RR0510P-682-D (6.8K)	T	52.1/28.6
R85	7030006020	S.RES RR0510P-682-D (6.8K)	T	54.7/39.1
R86	7030005530	S.RES ERJ2GEJ 100 X (10)	B	48.2/28.8
R87	7030005110	S.RES ERJ2GEJ 224 X (220K)	B	48.1/25.3
R88	7030009280	S.RES ERJ2GEJ 391 X	B	54.6/31
R89	7030005050	S.RES ERJ2GEJ 103 X (10K)	B	49.3/41.2
R90	7030005170	S.RES ERJ2GEJ 474 X (470K)	B	46.9/25.1
R92	7030005310	S.RES ERJ2GEJ 124 X (120K)	B	46.9/26.1
R93	7030005120	S.RES ERJ2GEJ 102 X (1K)	T	39.8/39.4
R94	7030005100	S.RES ERJ2GEJ 154 X (150K)	T	41.8/40.8
R95	7030005120	S.RES ERJ2GEJ 102 X (1K)	B	49.9/36.4
R96	7030008410	S.RES ERJ2GEJ 392 X (3.9K)	B	49.3/40.1

[MAIN-B UNIT]

REF NO.	PARTS NO.	DESCRIPTION	M.	H/V LOCATION
R97	7030005120	S.RES ERJ2GEJ 102 X (1K)	B	49.3/38.1
R98	7030007290	S.RES ERJ2GEJ 222 X (2.2K)	B	53.5/44.1
R100	7030005040	S.RES ERJ2GEJ 472 X (4.7K)	T	52.9/38.8
R101	7030005000	S.RES ERJ2GEJ 471 X (470)	B	51.4/43.3
R103	7030005240	S.RES ERJ2GEJ 473 X (47K)	T	33.1/27.8
R104	7030005230	S.RES ERJ2GEJ 334 X (330K)	T	31.5/26.9
R105	7030005170	S.RES ERJ2GEJ 474 X (470K)	T	32.6/29.1
R106	7030005050	S.RES ERJ2GEJ 103 X (10K)	T	37.5/32
R107	7030005580	S.RES ERJ2GEJ 560 X (56)	B	55.9/43.3
R108	7030005060	S.RES ERJ2GEJ 333 X (33K)	T	44.9/21
R109	7030005100	S.RES ERJ2GEJ 154 X (150K)	T	43.9/21
R110	7030005240	S.RES ERJ2GEJ 473 X (47K)	B	21.8/34.3
R111	7030005090	S.RES ERJ2GEJ 104 X (100K)	T	27.1/28.7
R113	7030006610	S.RES ERJ2GEJ 394 X (390K)	B	46.9/31.1
R114	7030005110	S.RES ERJ2GEJ 224 X (220K)	B	46.9/29.1
R115	7030007570	S.RES ERJ2GEJ 122 X (1.2K)	T	40.5/32
R116	7030007060	S.RES ERJ2GEJ 684X (680K)	T	43.4/32.7
R117	7030005040	S.RES ERJ2GEJ 472 X (4.7K)	T	35.3/40.1
R118	7030005040	S.RES ERJ2GEJ 472 X (4.7K)	T	37.2/40.1
R123	7030008400	S.RES ERJ2GEJ 182 X (1.8K)	T	75.2/37.7
R124	7030005170	S.RES ERJ2GEJ 474 X (470K)	T	72.7/40.4
R125	7030005110	S.RES ERJ2GEJ 224 X (220K)	T	73.2/38.9
R131	7510001730	S.THE ERTJOEP 473J	T	40.9/28.1
R132	7030010080	S.RES ERJ2RHD 104 X (100K)	T	40.9/27.1
R133	7030005050	S.RES ERJ2GEJ 103 X (10K)	T	84.1/14.2
R134	7030007290	S.RES ERJ2GEJ 222 X (2.2K)	T	74/14.3
R135	7030005050	S.RES ERJ2GEJ 103 X (10K)	T	24.5/24
R136	7030005040	S.RES ERJ2GEJ 472 X (4.7K)	T	22.8/24
R137	7030005050	S.RES ERJ2GEJ 103 X (10K)	T	69.8/14.7
R138	7030005040	S.RES ERJ2GEJ 472 X (4.7K)	T	69.8/16.7
R141	7030005000	S.RES ERJ2GEJ 471 X (470)	T	37/9.9
R142	7030005000	S.RES ERJ2GEJ 471 X (470)	T	43/9.9
R143	7030007340	S.RES ERJ2GEJ 153 X (15K)	T	37.2/24.4
R144	7030005050	S.RES ERJ2GEJ 103 X (10K)	B	46.5/10.7
R145	7030005090	S.RES ERJ2GEJ 104 X (100K)	T	33.4/18.1
R146	7030005090	S.RES ERJ2GEJ 104 X (100K)	T	31.6/18.1
R147	7030007350	S.RES ERJ2GEJ 393 X (39K)	T	33.4/16.4
R148	7030005080	S.RES ERJ2GEJ 823 X (82K)	T	31.6/16.1
R149	7030006610	S.RES ERJ2GEJ 394 X (390K)	T	33.4/12.9
R150	7030008300	S.RES ERJ2GEJ 184 X (180K)	T	33.4/11.9
R151	7030005030	S.RES ERJ2GEJ 152 X (1.5K)	T	33.4/13.9
R152	7030005220	S.RES ERJ2GEJ 223 X (22K)	T	31.1/29.6
R153	7030005220	S.RES ERJ2GEJ 223 X (22K)	T	29.9/29.1
R154	7030005220	S.RES ERJ2GEJ 223 X (22K)	T	28.2/30.1
R155	7030005090	S.RES ERJ2GEJ 104 X (100K)	T	29.8/41.1
R156	7030005170	S.RES ERJ2GEJ 474 X (470K)	T	29.8/40.1
R157	7030007290	S.RES ERJ2GEJ 222 X (2.2K)	T	31.5/39.1
R159	7030008010	S.RES ERJ2GEJ 123 X (12K)	T	15.7/28.8
R160	7030004980	S.RES ERJ2GEJ 101 X (100)	B	5.5/31
R161	7030005040	S.RES ERJ2GEJ 472 X (4.7K)	T	12.9/27.3
R162	7030005050	S.RES ERJ2GEJ 103 X (10K)	T	8.7/29.1
R163	7030005050	S.RES ERJ2GEJ 103 X (10K)	T	14.1/29.8
R164	7030008410	S.RES ERJ2GEJ 392 X (3.9K)	T	15.7/28.7
R165	7030008410	S.RES ERJ2GEJ 392 X (3.9K)	T	12.6/31.9
R166	7030005240	S.RES ERJ2GEJ 473 X (47K)	T	12.6/36.1
R167	7030009290	S.RES ERJ2GEJ 562 X (5.6K)	T	15.7/29.8
R168	7030005000	S.RES ERJ2GEJ 471 X (470)	T	16.3/40.1
R169	7030005100	S.RES ERJ2GEJ 154 X (150K)	T	18/41.1
R170	7030008010	S.RES ERJ2GEJ 123 X (12K)	T	12.9/29.3
R171	7030005100	S.RES ERJ2GEJ 154 X (150K)	T	11.6/36.1
R172	7030005110	S.RES ERJ2GEJ 224 X (220K)	T	18/39.1
R173	7030005310	S.RES ERJ2GEJ 124 X (120K)	T	19.4/26.8
R174	7030005090	S.RES ERJ2GEJ 104 X (100K)	T	19.4/28.8
R175	7030008300	S.RES ERJ2GEJ 184 X (180K)	T	19.4/27.8
R176	7030005100	S.RES ERJ2GEJ 154 X (150K)	T	17.7/27.8
R177	7030005060	S.RES ERJ2GEJ 333 X (33K)	T	17.7/28.8
R178	7030005710	S.RES ERJ2GEJ 121 X (120)	T	19.4/30.7
R179	7030005120	S.RES ERJ2GEJ 102 X (1K)	B	11.5/16.8
R180	7030005160	S.RES ERJ2GEJ 105 X (1M)	T	24.7/40.1
R181	7030005240	S.RES ERJ2GEJ 473 X (47K)	T	21.1/40.1
R182	7030005090	S.RES ERJ2GEJ 104 X (100K)	T	24.7/39.1
R183	7030006020	S.RES RR0510P-682-D (6.8K)	B	17.2/39.1
R184	7030008250	S.RES RR0510P-562-D (5.6K)	B	17.7/40.4
R186	7030005080	S.RES ERJ2GEJ 823 X (82K)	T	19.4/29.8
R187	7030005120	S.RES ERJ2GEJ 102 X (1K)	B	9/18.2
R190	7030007280	S.RES ERJ2GEJ 331 X (330)	T	34.7/18.9
R191	7030008300	S.RES ERJ2GEJ 184 X (180K)	T	18/41.1
R192	7030005720	S.RES ERJ2GEJ 563 X (56K)	T	18/5.1
R193	7030005220	S.RES ERJ2GEJ 223 X (22K)	T	18/6.1
R194	7030005220	S.RES ERJ2GEJ 223 X (22K)	T	23.9/10.9
R195	7030005050	S.RES ERJ2GEJ 103 X (10K)</		



[MAIN-B UNIT]

REF NO.	PARTS NO.	DESCRIPTION	M.	H/V LOCATION
R228	7030005120	S.RES ERJ2GEJ 102 X (1K)	T	94.2/15.2
R229	7030005530	S.RES ERJ2GEJ 100 X (10)	T	86/9.7
R230	7030005530	S.RES ERJ2GEJ 100 X (10)	T	87.2/17.2
R231	7030005120	S.RES ERJ2GEJ 102 X (1K)	T	90.6/2.8
R232	7030007300	S.RES ERJ2GEJ 332 X (3.3K)	T	93.2/4.4
R233	7030007300	S.RES ERJ2GEJ 332 X (3.3K)	T	92.7/2.8
R234	7030005100	S.RES ERJ2GEJ 154 X (150K)	B	23.3/6.2
R235	7030005090	S.RES ERJ2GEJ 104 X (100K)	B	20.3/4.2
R236	7030005230	S.RES ERJ2GEJ 334 X (330K)	B	23.3/5.2
R237	7030005050	S.RES ERJ2GEJ 103 X (10K)	T	21.1/39.1
R238	7410001140	S.ARR EXB28V104JX	B	40.9/9.5
R240	7030005590	S.RES ERJ2GEJ 680 X (68)	T	99.7/12.9
R251	7030008010	S.RES ERJ2GEJ 123 X (12K)	B	5.9/9.1
R252	7030005530	S.RES ERJ2GEJ 100 X (10)	B	13.7/9.1
R254	7030008010	S.RES ERJ2GEJ 123 X (12K)	B	9.3/10.1
R255	7030008010	S.RES ERJ2GEJ 123 X (12K)	B	7.6/10.1
R256	7030005050	S.RES ERJ2GEJ 103 X (10K)	T	6/8.6
R257	7030005120	S.RES ERJ2GEJ 102 X (1K)	T	9/22.1
R258	7410001140	S.ARR EXB28V104JX	T	6.6/20.6
R259	7030005120	S.RES ERJ2GEJ 102 X (1K)	T	21.6/22.1
R260	7030005090	S.RES ERJ2GEJ 104 X (100K)	T	21.5/25
R261	7410001130	S.ARR EXB28V102JX	T	19.4/19.9
R262	7030005090	S.RES ERJ2GEJ 104 X (100K)	T	21.3/13.9
R263	7030005050	S.RES ERJ2GEJ 103 X (10K)	T	21.3/12.9
R264	7030005240	S.RES ERJ2GEJ 473 X (47K)	T	21.3/10.9
R265	7410001130	S.ARR EXB28V102JX	T	19.7/9.2
R266	7030007340	S.RES ERJ2GEJ 153 X (15K)	C91	5.7/18.8
R271	7030005160	S.RES ERJ2GEJ 105 X (1M)	B	10/39.3
R272	7030005160	S.RES ERJ2GEJ 105 X (1M)	B	11/39.3
R273	7030005160	S.RES ERJ2GEJ 105 X (1M)	B	12/39.3
R274	7030005070	S.RES ERJ2GEJ 683 X (68K)	B	15/39.3
R275	7030005090	S.RES ERJ2GEJ 104 X (100K)	B	13/39.3
R276	7030005090	S.RES ERJ2GEJ 104 X (100K)	B	8/39.3
R277	7030005090	S.RES ERJ2GEJ 104 X (100K)	B	9/39.3
R278	7030005090	S.RES ERJ2GEJ 104 X (100K)	B	14/39.3
R280	7030005050	S.RES ERJ2GEJ 103 X (10K)	B	16.2/36.2
R284	7030004980	S.RES ERJ2GEJ 101 X (100)	B	16.3/27
R287	7030007280	S.RES ERJ2GEJ 331 X (330)	T	18.4/24
R288	7030005030	S.RES ERJ2GEJ 152 X (1.5K)	B	14.7/22.7
R291	7030005090	S.RES ERJ2GEJ 104 X (100K)	B	5.9/12.5
R292	7030005090	S.RES ERJ2GEJ 104 X (100K)	B	7.6/12.5
R293	7030008290	S.RES ERJ2GEJ 183 X (18K)	T	61.4/43.4
R294	7030005600	S.RES ERJ2GEJ 273 X (27K)	T	60.4/43.4
R295	7030005240	S.RES ERJ2GEJ 473 X (47K)	B	95.1/43.4
R296	7030003490	S.RES ERJ3GEVJ 272 V (2.7K)	B	91.8/35.3
R297	7030005120	S.RES ERJ2GEJ 102 X (1K)	T	91.3/36.2
R301	7030010040	S.RES ERJ2GEJ-JPW	B	93.1/22.4
R302	7030004990	S.RES ERJ2GEJ 221 X (22K)	T	93.3/34.9
R303	7030005040	S.RES ERJ2GEJ 472 X (4.7K)	T	32.8/20.3
R304	7030005090	S.RES ERJ2GEJ 104 X (100K)	T	33.6/21.8
C1	4030017620	S.CER ECJ0EC1H100C	B	94.2/41.5
C2	4030017370	S.CER ECJ0EC1H3R5B	B	93.2/36
C3	4030017620	S.CER ECJ0EC1H100C	B	96.5/33.9
C4	4030017570	S.CER ECJ0EC1H040B	B	94.9/33.9
C5	4030017580	S.CER ECJ0EC1H060C	B	94.6/30.2
C6	4030017460	S.CER ECJ0EB1E102K	B	92.8/33.4
C7	4030017460	S.CER ECJ0EB1E102K	B	92.9/29.6
C8	4030017380	S.CER ECJ0EC1H050B	B	93.2/28.1
C11	4030009990	S.CER C1608 CH 1H 200J-T	B	91.5/21.9
C13	4030009650	S.CER C1608 CH 1H 240J-T	B	88.3/20.8
C14	4030017570	S.CER ECJ0EC1H040B	B	86.8/38.7
C16	4030008560	S.CER C1608 CH 1H 300J-T	B	86.4/21.5
C17	4030017510	S.CER ECJ0EC1H680J	B	83.4/38.7
C19	4030017620	S.CER ECJ0EC1H100C	B	86/37.7
C20	4030017590	S.CER ECJ0EC1H070C	B	84.1/37.7
C21	4030017660	S.CER ECJ0EC1H330J	B	85.8/34.3
C22	4030017600	S.CER ECJ0EC1H080C	B	84.1/36.7
C23	4030017560	S.CER ECJ0EC1H2R5B	B	82/37.7
C24	4030017660	S.CER ECJ0EC1H330J	B	79.7/33.2
C25	4030017610	S.CER ECJ0EC1H090C	B	80.4/36.1
C27	4030017460	S.CER ECJ0EB1E102K	T	83.9/35.7
C28	4030017460	S.CER ECJ0EB1E102K	T	83.9/37.7
C30	4030017590	S.CER ECJ0EC1H070C	B	79.6/37.8
C31	4030017460	S.CER ECJ0EB1E102K	T	80.4/37.2
C32	4030017460	S.CER ECJ0EB1E102K	B	75.8/39.9
C33	4030017460	S.CER ECJ0EB1E102K	T	77.1/38.7
C34	4030017420	S.CER ECJ0EC1H470J	T	77.1/39.7
C35	4030016930	S.CER ECJ0EB1A104K	T	78.8/37.7
C36	4030017460	S.CER ECJ0EB1E102K	B	71.8/33.3
C37	4030017460	S.CER ECJ0EB1E102K	B	73.4/34.2
C38	4030017570	S.CER ECJ0EC1H040B	B	74.8/37.7
C39	4030017630	S.CER ECJ0EC1H120J	B	73.5/38.8
C40	4030017520	S.CER ECJ0EC1H0R3B	B	73.5/39.8
C41	4030017380	S.CER ECJ0EC1H050B	B	68.5/39.2
C42	4030017460	S.CER ECJ0EB1E102K	T	68.5/37.7
C43	4030017460	S.CER ECJ0EB1E102K	T	70.2/38.9
C44	4030017350	S.CER ECJ0EC1H020B	B	69/37.8
C45	4030017630	S.CER ECJ0EC1H120J	B	72.2/38.8
C46	4030017460	S.CER ECJ0EB1E102K	T	68.2/38.9
C48	4030017400	S.CER ECJ0EC1H220J	B	64.2/37.2
C49	4030017380	S.CER ECJ0EC1H050B	B	64.2/39.9
C50	4030017460	S.CER ECJ0EB1E102K	B	64.2/36.1
C51	4030017460	S.CER ECJ0EB1E102K	B	66.1/32.1
C52	4030017620	S.CER ECJ0EC1H100C	B	66.1/35.7
C53	4030016790	S.CER ECJ0EB1C103K	B	64.2/33.1
C54	4030017460	S.CER ECJ0EB1E102K	B	64.2/34.1
C56	4030017400	S.CER ECJ0EC1H220J	B	64.3/23.8
C57	4030017460	S.CER ECJ0EB1E102K	T	64.1/36.8
C58	4030017460	S.CER ECJ0EB1E102K	T	53.9/24.3
C59	4030017460	S.CER ECJ0EB1E102K	B	49.5/25.2
C60	4030017460	S.CER ECJ0EB1E102K	B	52.5/26.9
C61	4030017430	S.CER ECJ0EC1H101J	B	49.5/22.7

[MAIN-B UNIT]

REF NO.	PARTS NO.	DESCRIPTION	M.	H/V LOCATION
C62	4030017510	S.CER ECJ0EC1H680J	B	47.5/17.6
C63	4030017420	S.CER ECJ0EC1H470J	B	46.5/20.7
C64	4030016790	S.CER ECJ0EB1C103K	T	49.7/16.3
C65	4030017460	S.CER ECJ0EB1E102K	B	46.5/18.9
C66	4030017460	S.CER ECJ0EB1E102K	B	47.5/13.7
C67	4030017460	S.CER ECJ0EB1E102K	B	53.4/22.6
C68	4030017440	S.CER ECJ0EC1H221J	B	51.8/13.7
C69	4030017730	S.CER ECJ0EB1E471K	B	53.8/15.4
C70	4030017730	S.CER ECJ0EB1E471K	B	54.8/13.7
C71	4030016930	S.CER ECJ0EB1A104K	B	56.2/17.5
C72	4030017420	S.CER ECJ0EC1H470J	T	69.8/18.7
C73	4030017460	S.CER ECJ0EB1E102K	T	69.3/24
C74	4030017460	S.CER ECJ0EB1E102K	T	93.3/37
C75	4550005980	S.TAN TEESVA 1A 475M8R	B	53.8/11.4
C76	4030016790	S.CER ECJ0EB1C103K	T	66.7/21.1
C77	4030017460	S.CER ECJ0EB1E102K	T	65.7/22.7
C78	4030017460	S.CER ECJ0EB1E102K	T	74.8/20.8
C79	4030018890	S.CER ECJ0EB0J224K	T	72.3/21.1
C80	4030017780	S.CER ECJ0EB1E472K	T	68/18.7
C81	4030016790	S.CER ECJ0EB1C103K	B	77.2/21.5
C82	4030017460	S.CER ECJ0EB1E102K	B	78.2/21.5
C84	4030017420	S.CER ECJ0EC1H470J	T	81.3/20.5
C86	4030017500	S.CER ECJ0EC1H560J	T	78.7/24.3
C88	4030017460	S.CER ECJ0EB1E102K	T	73.1/24
C89	4030017570	S.CER ECJ0EC1H040B	T	75.5/24.4
C91	4510009280	S.ELLE EEE1EA4R7SR	B	69.7/20.3
C92	4030017660	S.CER ECJ0EC1H330J	T	74.6/30.9
C93	4030017380	S.CER ECJ0EC1H050B	T	70.9/33.5
C94	4030017730	S.CER ECJ0EB1E471K	T	70.3/24
C97	4030017420	S.CER ECJ0EC1H470J	T	74.8/36
C98	4030017380	S.CER ECJ0EC1H050B	T	66.1/33.9
C99	4030017460	S.CER ECJ0EB1E102K	T	68.3/36.3
C100	4030017620	S.CER ECJ0EC1H100C	B	61.3/36.1
C102	4030017380	S.CER ECJ0EC1H050B	T	59.5/34.3
C103	4030017350	S.CER ECJ0EC1H020B	B	58.2/35.1
C104	4030017460	S.CER ECJ0EB1E102K	T	58.9/29.4
C105	4030017460	S.CER ECJ0EB1E102K	B	58.6/37.1
C106	4030017420	S.CER ECJ0EC1H470J	B	70.2/33.9
C107	4030017460	S.CER ECJ0EB1E102K	T	70.6/36.3
C108	4030016790	S.CER ECJ0EB1C103K	T	69.7/36.3
C109	4030017460	S.CER ECJ0EB1E102K	B	57.6/41.3
C110	4030017730	S.CER ECJ0EB1E471K	B	55.7/30.5
C111	4030017420	S.CER ECJ0EC1H470J	B	56.3/34.4
C112	4030017460	S.CER ECJ0EB1E102K	T	60.2/38.6
C113	4030017520	S.CER ECJ0EC1H0R3B	T	56.1/32.6
C114	4030017630	S.CER ECJ0EC1H120J	T	51.9/36.5
C115	4030017630	S.CER ECJ0EC1H120J	T	55.7/35.7
C116	4030016790	S.CER ECJ0EB1C103K	T	56.5/37.9
C117	4030017730	S.CER ECJ0EB1E471K	T	56.5/36.9
C118	4030017530	S.CER ECJ0EC1H0R5B	T	56.1/33.9
C119	4030017460	S.CER ECJ0EB1E102K	T	56.6/31.6
C120	4030017730	S.CER ECJ0EB1E471K	T	57.5/28.7
C121	4030017640	S.CER ECJ0EC1H150J	T	52.6/30
C122	4030017640	S.CER ECJ0EC1H150J	T	53.1/28.6
C123	4030017650	S.CER ECJ0EC1H270J	T	52.6/31
C124	4030017630	S.CER ECJ0EC1H120J	T	51.1/29
C126	4030017390	S.CER ECJ0EC1H180J	T	51.9/37.7
C127	4030017620	S.CER ECJ0EC1H100C	T	50.5/37.5
C129	4030017530	S.CER ECJ0EC1H0R5B	T	48.4/31.4
C130	4030016950	S.CER ECJ0EB1A473K	B	49.3/39.1
C132	4030017460	S.CER ECJ0EB1E102K	B	46.9/27.1
C133	4030017390	S.CER ECJ0EC1H180J	T	51.1/31
C134	4030017410	S.CER ECJ0EC1H240J	T	50.6/36.3
C135	4030017460	S.CER ECJ0EB1E102K	T	48.4/34.4
C136	4030016930	S.CER ECJ0EB1A104K	T	48.4/35.4
C137	4030016790	S.CER ECJ0EB1C103K	T	57.7/44.1
C138	4030017460	S.CER ECJ0EB1E102K	B	49.6/28.4
C139	4030016930	S.CER ECJ0EB1A104K	B	56.7/28.9
C140	4030016930	S.CER ECJ0EB1A104K	T	43.4/34.7
C141	4030017460	S.CER ECJ0EB1E102K	B	50.1/42.4
C142	4030017460	S.CER ECJ0EB1E102K	T	42.9/21
C143	4030017460	S.CER ECJ0EB1E102K	B	52/42.3
C144	4030017420	S.CER ECJ0EC1H470J	B	49.6/29.3
C145	4030017420	S.CER ECJ0EC1H470J	B	47.1/23.9
C146	4550000270	S.TAN TEESVA 1E 474M8R	B	52.6/32.7
C147	4550000460	S.TAN TEESVA 1C 105M8R	B	47.5/41.4
C148	4550006250	S.TAN TEESVA 1A 106M8R	T	50.1/44.1
C149	4030017460	S.CER ECJ0EB1E102K	T	43.8/39.1
C150	4030018860	S.CER ECJ0EB0J105K	T	43.9/22.7
C151	4030016930	S.CER ECJ0EB1A104K	T	40.2/40.8
C152	4030017420	S.CER ECJ0EC1H470J	T	35.3/41.1
C153	4030017420	S.CER ECJ0EC1H470J	T	37.2/41.1
C154	4030017420	S.CER ECJ0EC1H470J	T	38/39.1
C155	4030017420	S.CER ECJ0EC1H470J	T	43.8/38.1
C156	4030017460	S.CER ECJ0EB1E102K	T	39.5/32
C157	4030017620	S.CER ECJ0EC1H100C	T	38.5/32
C158	4030016930	S.CER ECJ0EB1A104K	T	36.1/31.4

[MAIN-B UNIT]

REF NO.	PARTS NO.	DESCRIPTION	M.	H/V LOCATION
C178	4030017420	S.CER ECJ0EC1H470J	T	77.7/21.3
C180	4030017420	S.CER ECJ0EC1H470J	T	67.1/32.3
C182	4030017600	S.CER ECJ0EC1H080C	T	68.8/31.6
C183	4030017420	S.CER ECJ0EC1H470J	T	74.1/24
C185	4030017530	S.CER ECJ0EC1H0R5B	B	90.7/35.7
C186	4030017530	S.CER ECJ0EC1H0R5B	B	92.1/38.7
C188	4030017460	S.CER ECJ0EB1E102K	B	47.5/20.7
C196	4030017420	S.CER ECJ0EC1H470J	B	62.5/39
C197	4030017460	S.CER ECJ0EB1E102K	B	62.5/39.9
C202	4030016930	S.CER ECJ0EB1A104K	T	48.4/33.4
C203	4030017460	S.CER ECJ0EB1E102K	B	46.9/30.1
C205	4030017380	S.CER ECJ0EC1H050B	B	56.3/39.7
C206	4030017600	S.CER ECJ0EC1H080C	B	55.9/41.3
C208	4030017600	S.CER ECJ0EC1H080C	B	54.2/42.3
C209	4030017460	S.CER ECJ0EB1E102K	B	54.2/43.3
C211	4030018910	S.CER C1608 JB 0J 475K-T	T	36.1/21.9
C213	4030017460	S.CER ECJ0EB1E102K	T	31.5/27.8
C221	4030016930	S.CER ECJ0EB1A104K	T	32.3/31.6
C222	4030016930	S.CER ECJ0EB1A104K	T	19.2/34
C223	4030016930	S.CER ECJ0EB1A104K	B	29.7/9
C224	4030016930	S.CER ECJ0EB1A104K	T	40.9/29.1
C225	4030017460	S.CER ECJ0EB1E102K	B	83/11.6
C226	4550005980	S.TAN TEESVA 1A 475M8R	B	81.2/13.5
C227	4030016790	S.CER ECJ0EB1C103K	B	86.9/13
C228	4510008540	S.ELE EEE1CA100SR	B	89.4/15.7
C229	4030017460	S.CER ECJ0EB1E102K	B	85.8/17.8
C230	4030016930	S.CER ECJ0EB1A104K	B	85.8/16.8
C231	4030016790	S.CER ECJ0EB1C103K	T	74/13.3
C232	4030017730	S.CER ECJ0EB1E471K	T	76.2/13.3
C233	4030016790	S.CER ECJ0EB1C103K	T	24.5/23
C234	4030017460	S.CER ECJ0EB1E102K	T	24.2/27.8
C235	4030016790	S.CER ECJ0EB1C103K	T	69.8/15.7
C236	4030017460	S.CER ECJ0EB1E102K	T	69.8/17.7
C237	4510008660	S.ELE EEE0JA220SR	B	76/15.5
C238	4030017460	S.CER ECJ0EB1E102K	B	77/18.4
C241	4030016930	S.CER ECJ0EB1A104K	T	35.4/9.9
C242	4030016930	S.CER ECJ0EB1A104K	T	44.7/9.9
C243	4030016790	S.CER ECJ0EB1C103K	T	40.5/9.9
C244	4030016930	S.CER ECJ0EB1A104K	B	46.5/15.4
C251	4030016970	S.CER ECJ0EB1C223K	T	33.4/17.1
C252	4030017740	S.CER ECJ0EB1E821K	T	29.9/16.1
C253	4030017740	S.CER ECJ0EB1E821K	T	33.4/14.9
C254	4030016930	S.CER ECJ0EB1A104K	T	33.4/10.9
C255	4030016950	S.CER ECJ0EB1A473K	B	34.5/12.1
C256	4030016940	S.CER ECJ0EB1A393K	T	29.9/28.1
C257	4030016930	S.CER ECJ0EB1A104K	T	29.9/30.1
C258	4030017790	S.CER ECJ0EB1E682K	T	26.6/30.1
C259	4030018860	S.CER ECJ0EB0J105K	T	31.5/41.1
C260	4030017730	S.CER ECJ0EB1E471K	T	29.8/39.1
C261	4030016930	S.CER ECJ0EB1A104K	T	31.5/40.1
C264	4510008540	S.ELE EEE1CA100SR	B	69.7/15.5
C265	4030017460	S.CER ECJ0EB1E102K	B	64.4/12.3
C266	4030016930	S.CER ECJ0EB1A104K	B	63/8.5
C269	4030017720	S.CER ECJ0EB1H331K	T	11.6/37.9
C270	4030016950	S.CER ECJ0EB1A473K	T	14.1/28.8
C271	4030016950	S.CER ECJ0EB1A473K	T	14.1/26.8
C272	4030016950	S.CER ECJ0EB1A473K	T	10.6/28.5
C273	4030016950	S.CER ECJ0EB1A473K	T	14.1/27.8
C274	4030016950	S.CER ECJ0EB1A473K	T	11.6/31.9
C275	4030016970	S.CER ECJ0EB1C223K	T	11.6/34.4
C276	4030016950	S.CER ECJ0EB1A473K	T	12.6/34.4
C277	4030016930	S.CER ECJ0EB1A104K	T	14.6/40.1
C278	4030017430	S.CER ECJ0EC1H101J	T	18/40.1
C279	4030018910	S.CER C1608 JB 0J 475K-T	T	36.9/23.2
C280	4030017780	S.CER ECJ0EB1E472K	T	21.3/27.8
C281	4030018920	S.CER ECJ0EB1H392K	T	17.7/26.8
C282	4030017710	S.CER ECJ0EC1H181J	T	17.7/29.8
C283	4030018900	S.CER ECJ0EB0J474K	T	19.4/31.7
C284	4030016930	S.CER ECJ0EB1A104K	T	22.9/39.1
C285	4030016930	S.CER ECJ0EB1A104K	T	22.9/40.1
C286	4030017460	S.CER ECJ0EB1E102K	B	16.7/40.4
C287	4550006250	S.TAN TEESVA 1A 106M8R	B	21.8/40.7
C288	4030017460	S.CER ECJ0EB1E102K	B	17.2/38.1
C289	4030016930	S.CER ECJ0EB1A104K	B	20.2/31
C290	4030016930	S.CER ECJ0EB1A104K	T	27.5/16.2
C291	4030016780	S.CER ECJ0EB1C153K	T	25.7/10.9
C292	4030016930	S.CER ECJ0EB1A104K	T	25.7/13.9
C293	4030017740	S.CER ECJ0EB1E821K	T	25.7/11.9
C295	4030018110	S.CER ECJ0EB1H272K	T	29.1/5.1
C296	4030018240	S.CER ECJ0EB1E562K	T	29.1/6.1
C297	4030017710	S.CER ECJ0EC1H181J	T	27.1/7.1
C298	4030018090	S.CER ECJ0EB1C822K	T	31/7.1
C299	4030017510	S.CER ECJ0EC1H680J	T	31/5.1
C300	4030017440	S.CER ECJ0EC1H221J	B	19.8/38.2
C302	4030017620	S.CER ECJ0EC1H100C	T	66/39.3
C303	4030017460	S.CER ECJ0EB1E102K	T	65/39.3
C304	4030017580	S.CER ECJ0EC1H060C	B	68.5/40.2
C305	4030017590	S.CER ECJ0EC1H070C	B	64.2/40.8
C306	4030017460	S.CER ECJ0EB1E102K	B	61/12.3
C307	4030017460	S.CER ECJ0EB1E102K	B	59.3/12.3
C308	4030017460	S.CER ECJ0EB1E102K	T	75.7/9.8
C309	4030017460	S.CER ECJ0EB1E102K	B	75.5/11.3
C310	4030016930	S.CER ECJ0EB1A104K	T	21.3/11.9
C311	4030017460	S.CER ECJ0EB1E102K	B	64.9/8.5
C312	4030017420	S.CER ECJ0EC1H470J	B	75/6.1
C313	4030017420	S.CER ECJ0EC1H470J	B	32.9/7.1
C314	4030017460	S.CER ECJ0EB1E102K	T	86.6/3.3
C315	4030017460	S.CER ECJ0EB1E102K	T	93.2/6
C316	4030016930	S.CER ECJ0EB1A104K	T	91.7/2.8
C317	4510008540	S.ELE EEE1CA100SR	B	95.9/15.2
C318	4030016930	S.CER ECJ0EB1A104K	T	89.7/8.9
C319	4030016930	S.CER ECJ0EB1A104K	T	89.6/2.8
C320	4030017730	S.CER ECJ0EB1E471K	T	88.6/2.8
C321	4030017460	S.CER ECJ0EB1E102K	B	19.3/4.2

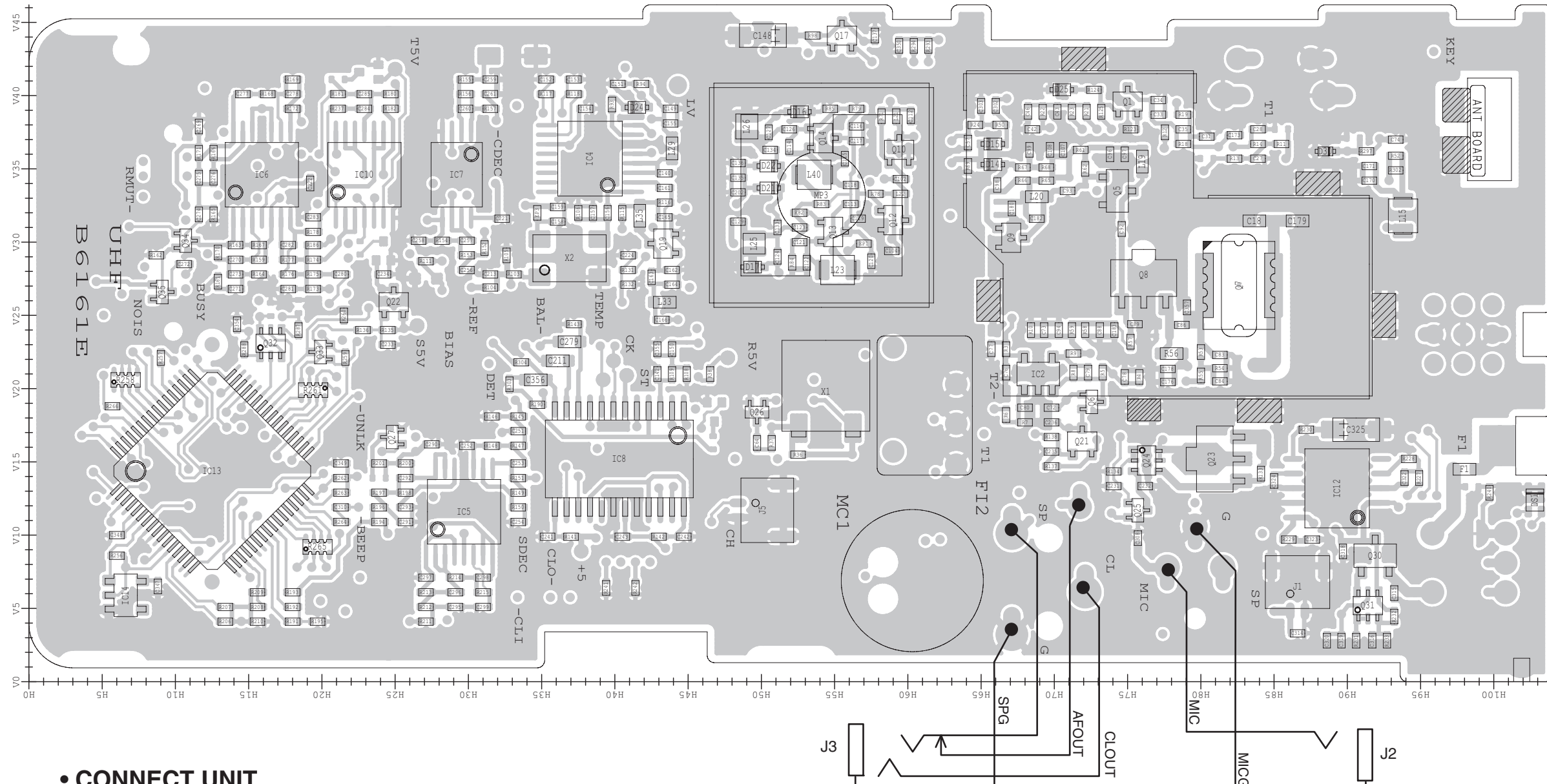
[MAIN-B UNIT]

REF NO.	PARTS NO.	DESCRIPTION	M.	H/V LOCATION
C322	4030016950	S.CER ECJ0EB1A473K	T	93.9/13.9
C323	4030016950	S.CER ECJ0EB1A473K	T	87.6/9.7
C324	4030017420	S.CER ECJ0EC1H470J	T	85/13.7
C325	4550006250	S.TAN TEESVA 1A 106M8R	T	90.6/17.2
C326	4510008900	S.ELE EEEFC0J101P	B	87.8/8.9
C333	4030017420	S.CER ECJ0EC1H470J	B	76.8/39.9
C335	4030018860	S.CER ECJ0EB0J105K	B	54.6/22.6
C339	4030016930	S.CER ECJ0EB1A104K	B	5.9/17.2
C340	4030016930	S.CER ECJ0EB1A104K	B	9.3/12.5
C341	4030016930	S.CER ECJ0EB1A104K	B	5.9/10.1
C342	4030017630	S.CER ECJ0EC1H120J	B	18.3/4.2
C343	4030017580	S.CER ECJ0EC1H060C	B	5.6/4.2
C344	4030017640	S.CER ECJ0EC1H150J	B	7.6/9.1
C345	4030016930	S.CER ECJ0EB1A104K	B	11/11.2
C346	4030016930	S.CER ECJ0EB1A104K	B	11/10.1
C347	4030016790	S.CER ECJ0EB1C103K	T	8.8/6.5
C348	4030016930	S.CER ECJ0EB1A104K	T	6/10
C349	4030016930	S.CER ECJ0EB1A104K	T	21.3/14.9
C350	4030017460	S.CER ECJ0EB1E102K	T	59.4/43.4
C354	4030017460	S.CER ECJ0EB1E102K	T	14.2/24.4
C355	4030018080	S.CER ECJ0EB1H182K	T	42.9/22.7
C356	4030018910	S.CER C1608 JB 0J 475K-T	T	34.6/20.6
J1	6510021901	S.CON BM02B-ASRS-TF(LF)(SN)	T	86.6/6.8
J2	6450001680	CON HSJ1122-010010		
J3	6450002250	CON HSJ1456-010320		
J4	6510018430	S.CON AXN330C038P	B	11.8/30.6
F1	5210000830	S.FUS ERBFE3R00U	T	98/14.5
DS1	5040002670	S.LED CL-165HR/YG	T	102.8/12.4
MC1	7700002750	MIC EM9745P-38-G <HOR>		
S1	2260002840	SWI SKHLLFA010		
S2	2260002800	S.SWI SW-167 (SKQTLAE010)	B	99.4/44.2
S3	2260002800	S.SWI SW-167 (SKQTLAE010)	B	60.9/44.2
S4	2250000490	ENC TP70TF5163-15.9F-2775		
EP1	6910015370	S.BEA ACZ1005Y-102-T	T	57/29.9
EP3	6910015370	S.BEA ACZ1005Y-102-T	T	34.7/32
MP1	8410002531	S.HEA 2681 PA HEATSINK-1	B	79/28.2
MP3	8510016470	S.S.CAS 2775 VCO CASE	T	54.1/33.2

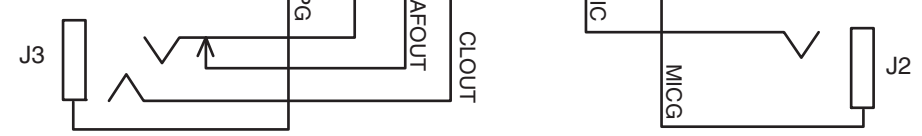
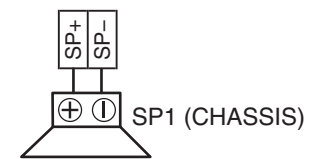
M.=Mounted side (T: Mounted on the Top side, B: Mounted on the Bottom side)  
S.=Surface mount

# BOARD LAYOUTS

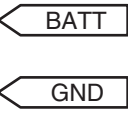
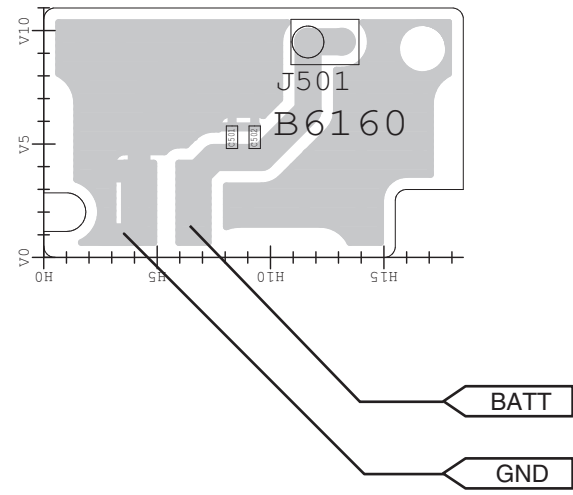
## • MAIN/MAIN-B UNIT (TOP VIEW)



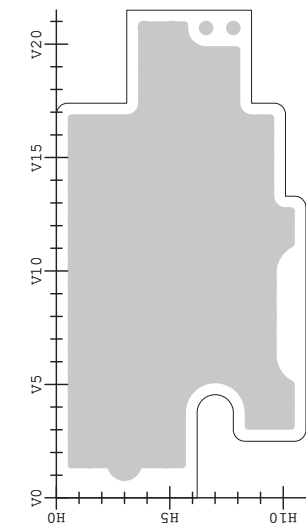
The combination of this side and the bottom side shows the board layout in the same configuration as the actual P.C.Board.



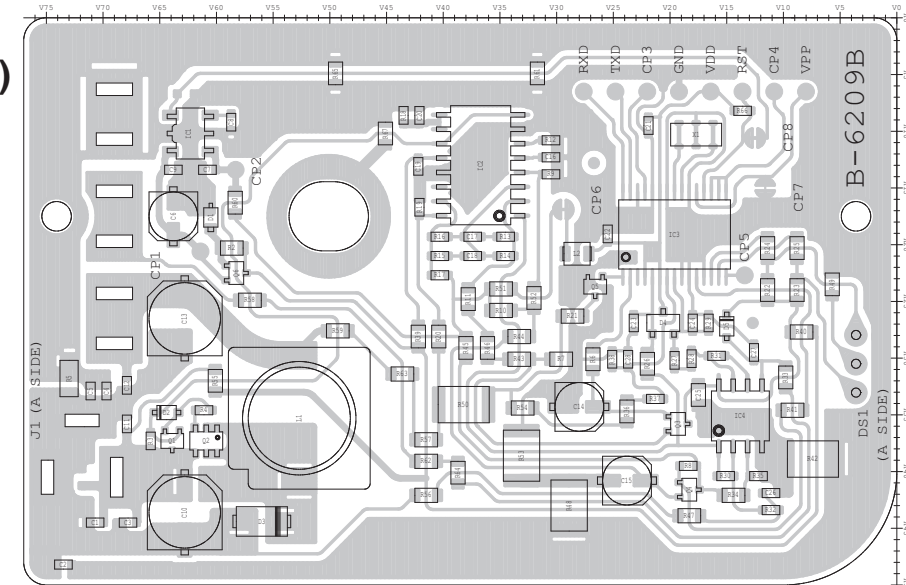
## • CONNECT UNIT (TOP VIEW)



## • ANT UNIT (TOP VIEW)



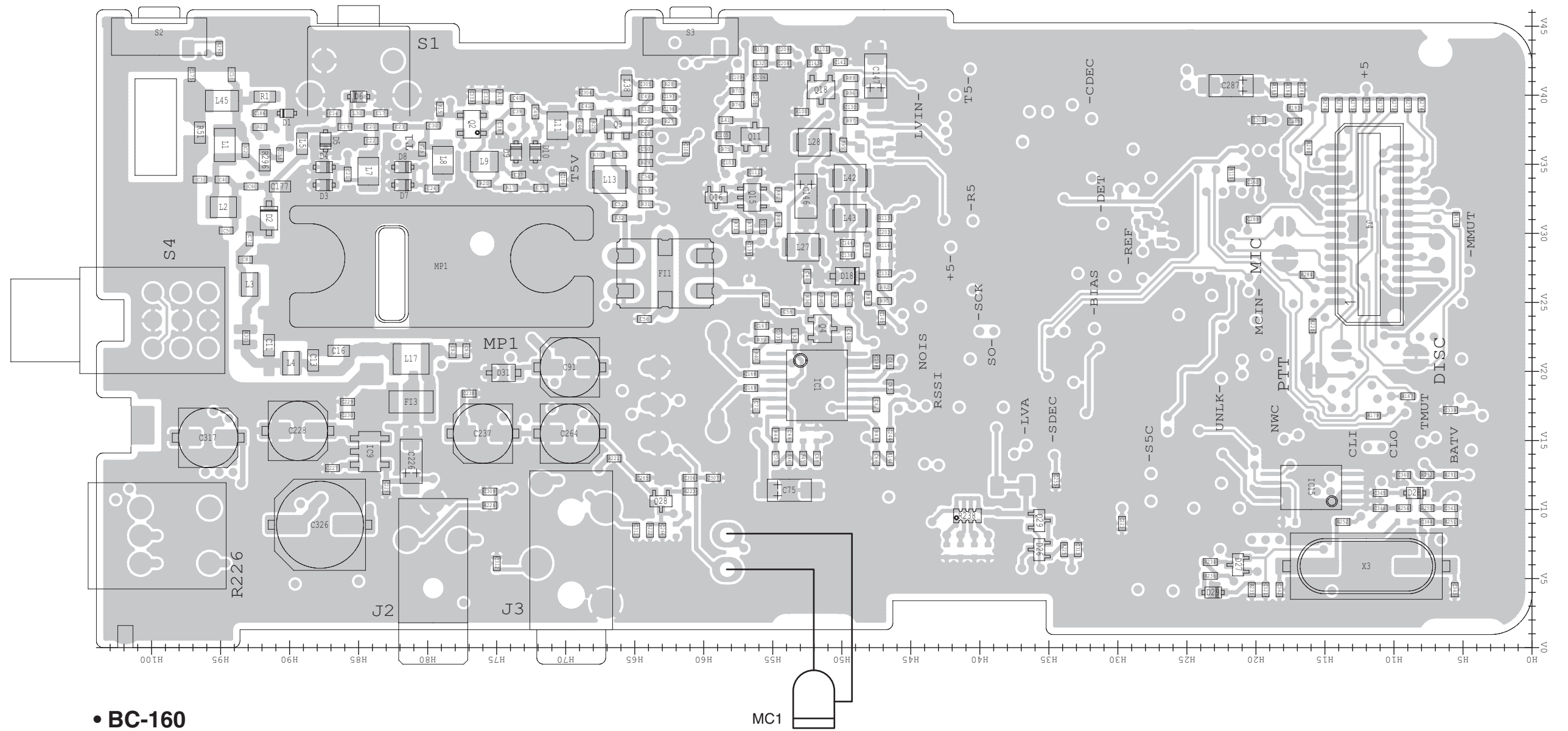
## • BC-160 (TOP VIEW)



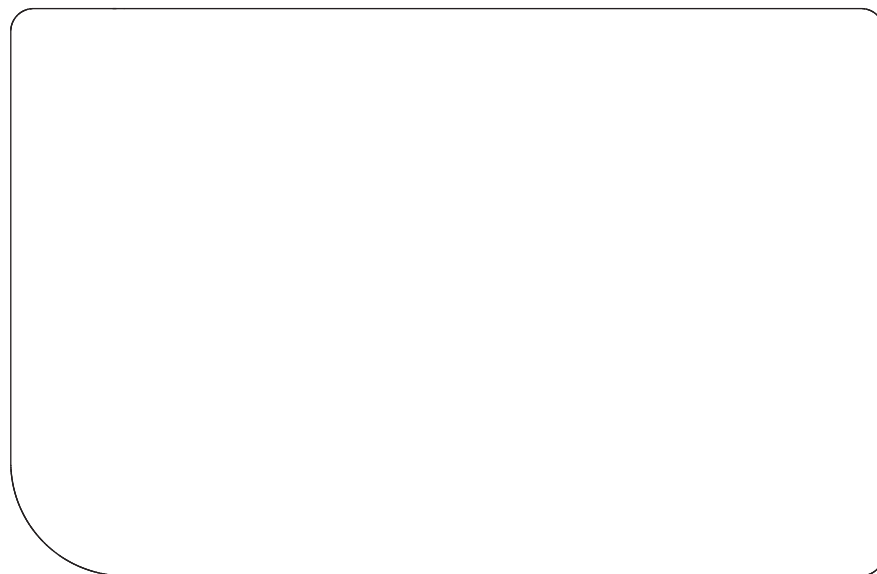


The combination of this side and the bottom side shows the board layout in the same configuration as the actual P.C.Board.

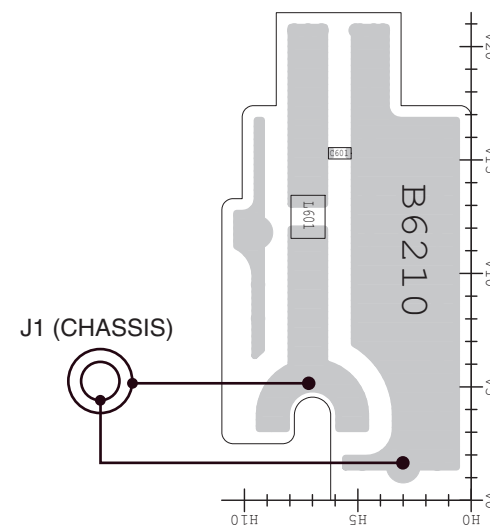
• MAIN/MAIN-B UNIT  
(BOTTOM VIEW)



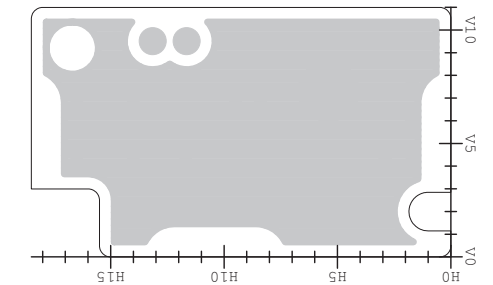
• BC-160  
(BOTTOM VIEW)



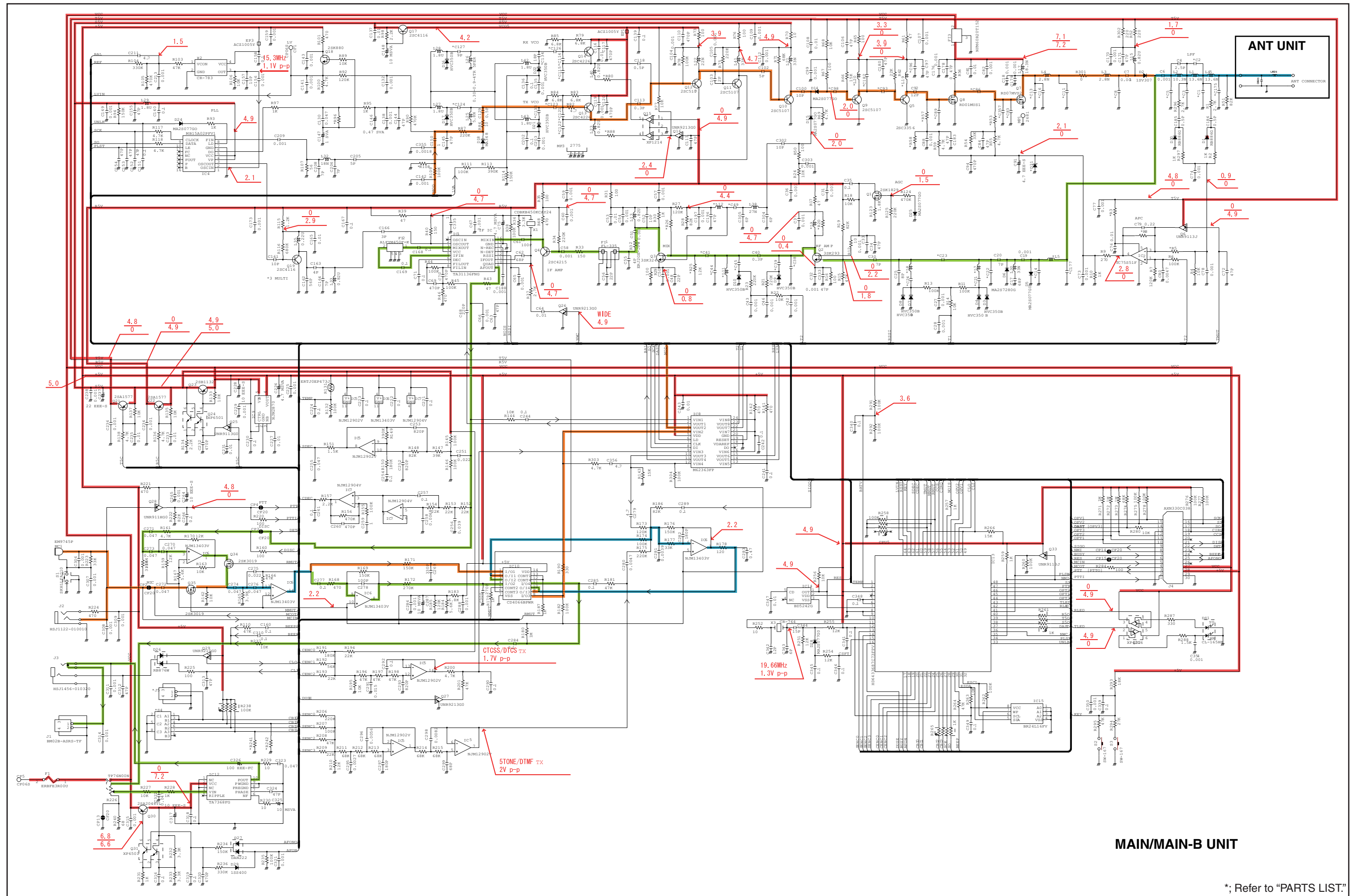
• ANT UNIT  
(BOTTOM VIEW)



• CONNECT UNIT  
(BOTTOM VIEW)



# VOLTAGE DIAGRAM



MAIN/MAN-B UNIT

\*; Refer to "PARTS LIST."



# SERVICE MANUAL

UHF TRANSCEIVER

**IC-F24/S**

**IC-F25/S**

**IC-F26/S**

**IC-F26-L**

**IC-F4018**

---

---

---

S-14116IZ-C1-②  
Mar. 2008

Icom Inc.

---



## INTRODUCTION

This service manual describes the latest service information for the **IC-F24/S IC-F25/S IC-F26/S IC-F26-L IC-F4018** UHF TRANSCEIVER at the time of publication.

MODEL	VERSION	FREQ. (MHz)	CHANNEL SPACING (kHz)	CHANNELS	
F24	USA-02	400-470	12.5/25.0	16CH	
	USA-03	450-512			
	USA-04	400-470			
	USA-05	450-512			
	GEN-02	400-470			
	GEN-03	450-520			
F25	EUR-02	400-470	12.5/20.0/25.0		
F26	RUS-02		12.5/25.0		
	RUS-05				
	CHN-02				
F26-L	EXP-01	350-390			2CH
	CHN-01				
F24S	USA-02	400-470			
	USA-03	450-512			
	USA-04	400-470			
	GEN-02	450-520			
	GEN-03				
F25S	EUR-02	400-470	12.5/20.0/25.0		
F26S	RUS-02		12.5/25.0		
	RUS-05				
F4018	CHN-01				

To upgrade quality, any electrical or mechanical parts and internal circuits are subject to change without notice or obligation.

## CAUTION

**NEVER** connect the transceiver to an AC outlet or to a DC power supply that uses more than specified. This will ruin the transceiver.

**DO NOT** expose the transceiver to rain, snow or any liquids.

**DO NOT** reverse the polarities of the power supply when connecting the transceiver.

**DO NOT** apply an RF signal of more than 20 dBm (100 mW) to the antenna connector. This could damage the transceiver's front-end.

## ORDERING PARTS

Be sure to include the following four points when ordering replacement parts:

- 10-digit Icom parts numbers
- Component name
- Equipment model name and unit name
- Quantity required

### <ORDER EXAMPLE>

1110003491	S.IC	TA31136FNG	IC-F24	MAIN UNIT	5 pieces
8820001210	Screw	2438 screw	IC-F24	Top cover	10 pieces

Addresses are provided on the inside back cover for your convenience.

Icom, Icom Inc. and ICOM logo are registered trademarks of Icom Incorporated (Japan) in the United States, the United Kingdom, Germany, France, Spain, Russia and/or other countries.



(IC-F24)

## REPAIR NOTES

1. Make sure that the problem is internal before disassembling the transceiver.
2. **DO NOT** open the transceiver until the transceiver is disconnected from its power source.
3. **DO NOT** force any of the variable components. Turn them slowly and smoothly.
4. **DO NOT** short any circuits or electronic parts. An insulated tuning tool **MUST** be used for all adjustments.
5. **DO NOT** keep power ON for a long time when the transceiver is defective.
6. **DO NOT** transmit power into a Standard Signal Generator or a Sweep Generator.
7. **ALWAYS** connect a 50 dB to 60 dB attenuator between the transceiver and a Deviation Meter or Spectrum Analyzer when using such test equipment.
8. **READ** the instructions of test equipment thoroughly before connecting a test equipment to the transceiver.

---

## TABLE OF CONTENTS

---

**SECTION 1 SPECIFICATIONS**

**SECTION 2 INSIDE VIEWS**

**SECTION 3 DISASSEMBLY INSTRUCTION**

**SECTION 4 CIRCUIT DESCRIPITON**

4-1	RECEIVER CIRCUITS.....	4-1
4-2	TRANSMITTER CIRCUITS.....	4-2
4-3	PLL CIRCUITS.....	4-4
4-4	OTHER CIRCUITS.....	4-5
4-5	POWER SUPPLY CIRCUITS.....	4-5
4-6	PORT ALLOCATIONS.....	4-5

**SECTION 5 ADJUSTMENT PROCEDURES**

5-1	PREPARATION.....	5-1
5-2	FREQUENCY ADJUSTMENTS.....	5-6
5-3	TRANSMIT ADJUSTMENTS.....	5-8
5-4	RECEIVERY ADJUSTMENTS.....	5-10

**SECTION 6 PARTS LIST**

**SECTION 7 MECHANICAL PARTS**

**SECTION 8 BOARD LAYOUTS**

**SECTION 9 BLOCK DIAGRAM**

**SECTION 10 VOLTAGE DIAGRAM**

**SECTION 11 BC-160 (Optional)**

## ■ GENERAL

- Frequency coverage : (Refer to the "INTRODUCTION")
- Mode : FM
- Channel spacing : (Refer to the "INTRODUCTION")
- Number of conventional channels : 16 ch/2 ch (Refer to the "INTRODUCTION")
- Antenna impedance : 50 Ω
- Operating temperature range : -30°C to +60°C (-22°F to +140°F) Other than [F25/S]  
-25°C to +55°C [F25/S]
- Power supply requirement : Specified Icom's battery pack only (7.2 V DC nominal; negative ground)
- Current drain (at 7.2 V DC ; approx.) :

RECEIVING		TRANSMITTING	
Stand-by	Max. audio	High (at 4 W)	Low (at 1 W)
75 mA	300 mA	1.6 A	0.8 A

- Dimensions (projections not included) : 53.0 (W)×120.0 (H)×38.0 (D) mm; 2<sup>3</sup>/<sub>32</sub>(W)×4<sup>23</sup>/<sub>32</sub>(H)×1<sup>1</sup>/<sub>2</sub>(D) in
- Weight (Including BP-231) : Approx. 260 g (9<sup>3</sup>/<sub>16</sub> oz)

## ■ TRANSMITTER

- Output power (at 7.2 V DC) : 4 W (Hi)/2 W (L2)/1 W (L1)
- Modulation : Variable reactance frequency modulation
- Maximum permissible deviation : ±5.0 kHz (Wide), ±4.0 kHz (Middle), ±2.5 kHz (Narrow)
- Frequency error : ±2.5 ppm
- Spurious emissions : 70 dB (min.) Other than [F25/S]  
0.25 μW (≤ 1 GHz), 1.0 μW (> 1 GHz) [F25/S]
- Adjacent channel power : 70 dB min. (75dB typ.) for Wide  
70 dB min. (73dB typ.) for Middle  
60 dB min. (68dB typ.) for Narrow
- Audio harmonic distortion : 3% typ. (1 kHz, 40% deviation)
- FM Hum and Noise (without CCITT filter) : 40 dB min. (46 dB typ.) for Wide  
(Other than [F25/S]) 34 dB min. (40 dB typ.) for Narrow
- Residual modulation (with CCITT filter) : 45 dB min. (55 dB typ.) for Wide  
([F25/S] only) 43 dB min. (53 dB typ.) for Middle  
40 dB min. (50 dB typ.) for Narrow
- Limiting charact of modulator : 60–100% of maximum deviation
- Microphone impedance : 2.2 kΩ

## ■ RECEIVER

- Receive system : Double conversion superheterodyne system
- Intermediate frequencies : 1st IF: 46.35 MHz, 2nd IF: 450 kHz
- Sensitivity : 0.25 μV (-119 dBm) typ. at 12 dB SINAD Other than [F25/S]  
-4 dBμV (-111 dBm) emf typ. at 20 dB SINAD [F25/S]
- Adjacent channel selectivity : 70 dB min. (75 dB typ.) for Wide  
70 dB min. (73 dB typ.) for Middle  
60 dB min. (65 dB typ.) for Narrow
- Spurious response : 70 dB min.
- Intermodulation rejection ratio : 70 dB min. (74 dB typ.) Other than [F25/S]  
65 dB min. (67 dB typ.) [F25/S]
- Hum and Noise (without CCITT filter) : 40 dB min. (45 dB typ.) for Wide  
(except [EUR] and [CHN]) 34 dB min. (40 dB typ.) for Narrow
- Hum and Noise (with CCITT filter) : 45 dB min. (55 dB typ.) for Wide  
([EUR] and [CHN] only) 43 dB min. (53 dB typ.) for Middle  
40 dB min. (50 dB typ.) for Narrow
- Audio output power : 0.5 W typ. at 5% distortion with an 8 Ω load
- Squelch sensitivity (at threshold) : 0.25 μV typ. Other than [F25/S]  
-4 dBμV emf typ. [F25/S]
- Output impedance (Audio) : 8 Ω

Specifications are measured in accordance with EIA-152-C/204D, TIA-603, EN 300 086 or GB/T 15844. 1-1995.

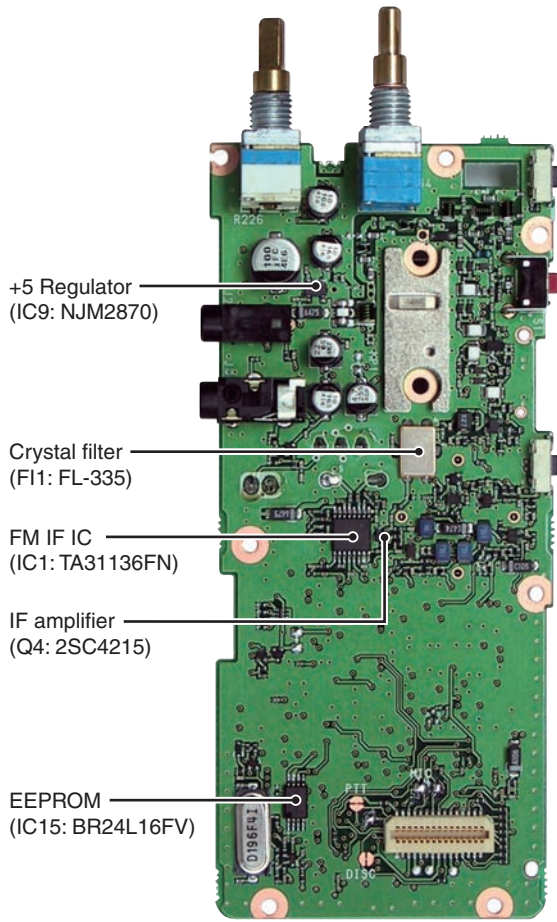
**All stated specifications are subject to change without notice or obligation.**



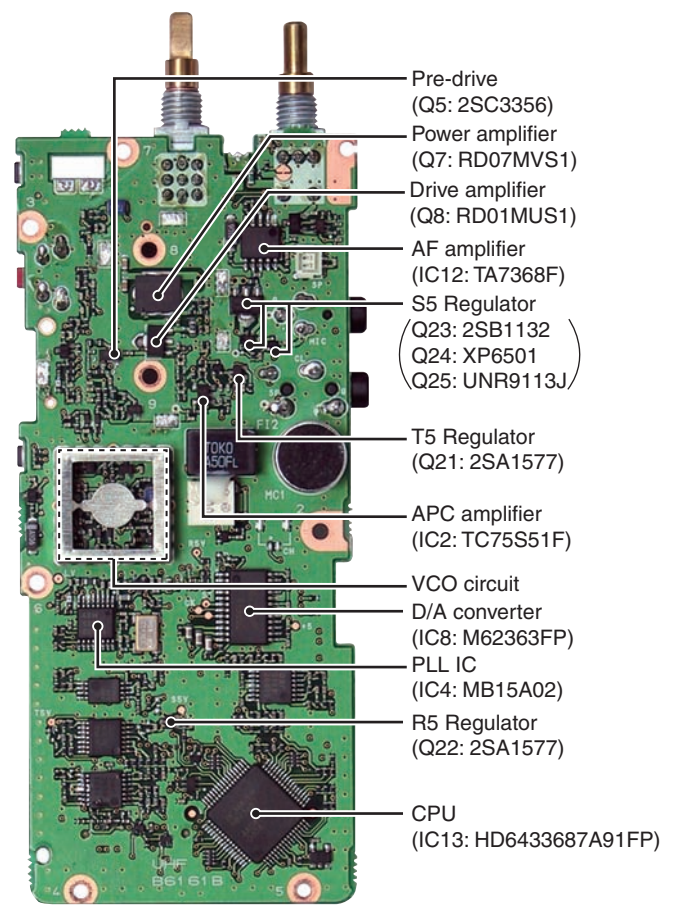
# SECTION 2

# INSIDE VIEWS

TOP VIEW



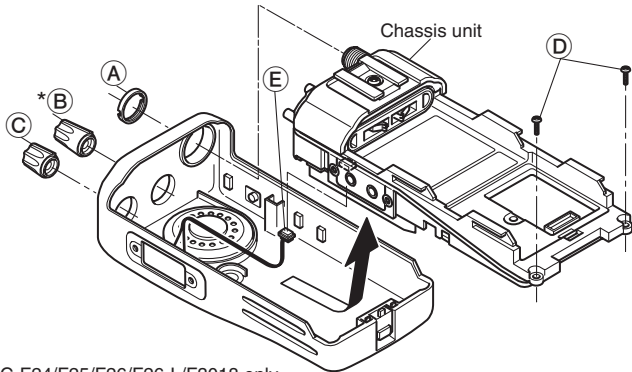
BOTTOM VIEW



# SECTION 3 DISASSEMBLY INSTRUCTION

## 1. REMOVING THE CHASSIS UNIT

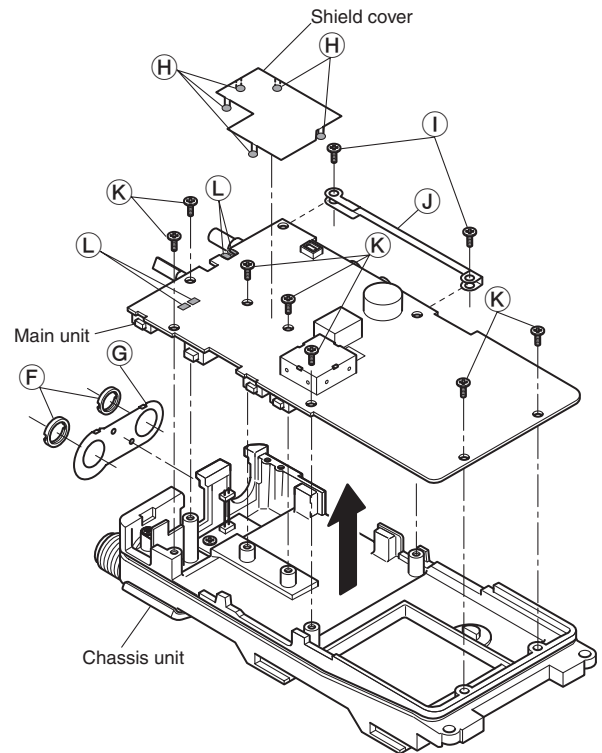
- ① Unscrew 1 nut (A), and remove 2 knobs (B), (C).
- ② Unscrew 2 screws (D).
- ③ Take off the chassis unit in the direction of the arrow.
- ④ Unplug the connector (E) from the chassis unit.



\*: IC-F24/F25/F26/F26-L/F3018 only

## 2. REMOVING THE MAIN UNIT

- ① Unscrew 2 nuts (F), and remove the top plate (G).
- ② Unsolder 5 points (H), and remove the shield cover.
- ③ Unscrew 2 screws (I), and remove the side plate (J).
- ④ Unscrew 7 screws (K).
- ⑤ Unsolder 4 points (L), and take off the main unit in the direction of the arrow.



**4-1 RECEIVER CIRCUITS**

**4-1-1 ANTENNA SWITCHING CIRCUIT**

The antenna switching circuit functions as a low-pass filter while receiving and a resonator circuit while transmitting. This circuit does not allow transmit signals to enter the receiver circuits.

Received signals enter the antenna connector (CHASSIS; J1) and pass through the low-pass filter (L1, L2, L45, C1-C6, C175). The filtered signals are passed through the  $\frac{1}{4}\lambda$  type antenna switching circuit (D2, D5, L5) and then applied to the RF circuit.

**4-1-2 RF CIRCUIT**

The RF circuit amplifies signals within the range of frequency coverage and filters out-of-band signals.

The signals from the antenna switching circuit pass through the bandpass filter (D3, D4, D7, D8, L7, L8, C21, C23, C24). The filtered signals are amplified at the RF amplifier (Q2) and then passed through the another bandpass filter (D9, D10, C39, C40, C45) to suppress unwanted signals. The filtered signals are applied to the 1st mixer circuit.

D3, D4, D7-D10 employ varactor diodes, that are controlled by the CPU via the D/A converter (IC8), to track the bandpass filter. These varactor diodes tune the center frequency of an RF passband for wide bandwidth receiving and good image response rejection.

**4-1-3 1ST MIXER AND 1ST IF CIRCUITS**

The 1st mixer circuit converts the received signal into fixed frequency of the 1st IF signal with the PLL output frequency. By changing the PLL frequency, only the desired frequency passes through a crystal filter at the next stage of the 1st mixer.

The RF signals from the bandpass filter are mixed with the 1st LO signals, where come from the RX VCO circuit via the BPF (L12, L38, C49, C304, C305), at the 1st mixer circuit (Q3) to produce a 46.35 MHz 1st IF signal. The 1st IF signal is passed through a monolithic filter (FI1) in order to obtain selection capability and to pass only the desired signal. The filtered signal is applied to the 2nd IF circuit after being amplified at the 1st IF amplifier (Q4).

**4-1-4 2ND IF AND DEMODULATOR CIRCUITS**

The 2nd mixer circuit converts the 1st IF signal into a 2nd IF signal. The double-conversion superheterodyne system (which converts receive signals twice) improves the image rejection ratio and obtains stable receiver gain.

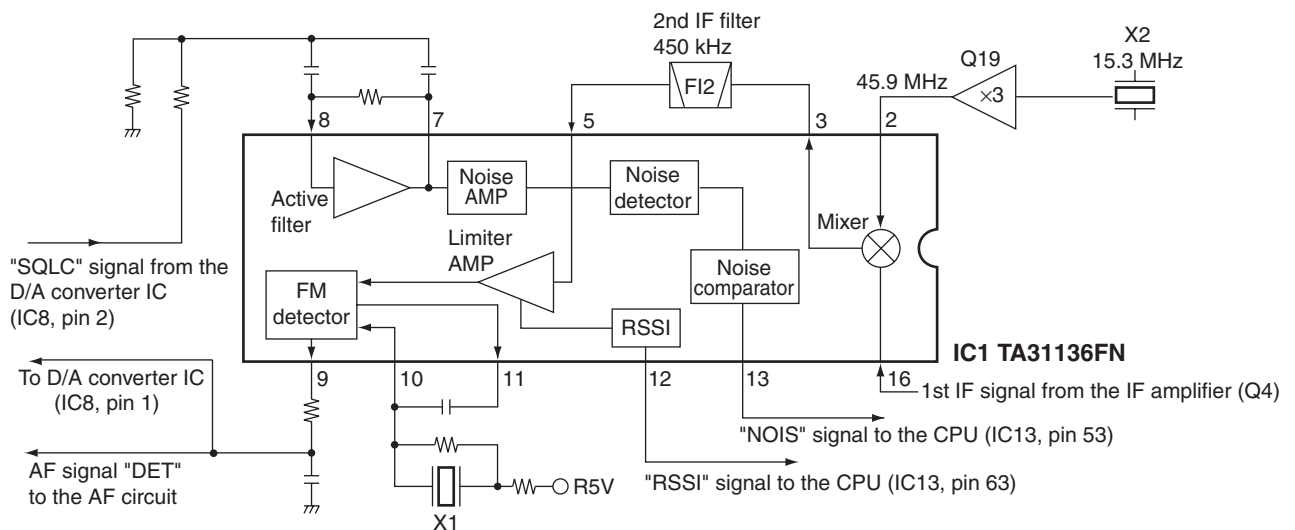
The 1st IF signal from the IF amplifier (Q4) is applied to the 2nd mixer section of the FM IF IC (IC1, pin 16), and is mixed with the 2nd LO signal to be converted into a 450 kHz 2nd IF signal.

The FM IF IC (IC1) contains the 2nd mixer, 2nd local oscillator, limiter amplifier, quadrature detector, active filter and noise amplifier circuits. The 2nd LO signal (45.9 MHz) is produced at the PLL circuit by tripling it's reference frequency (15.3 MHz).

The 2nd IF signal from the 2nd mixer (IC1, pin 3) passes through the ceramic filter (FI2) to remove unwanted heterodyned frequencies. It is then amplified at the limiter amplifier section (IC1, pin 5) and applied to the quadrature detector section (IC1, pins 10, 11) to demodulate the 2nd IF signal into AF signals.

The demodulated AF signals are output from pin 9 (IC1) as "DET" signal, and are then applied to the AF circuit.

**• 2ND IF AND DEMODULATOR CIRCUITS**





#### 4-1-5 AF AMPLIFIER CIRCUIT

The AF amplifier circuit amplifies the demodulated AF signals to drive a speaker.

The AF signals from the FM IF IC (IC1, pin 9) pass through the high-pass filter (IC6, pins 3 and 1) to suppress unwanted harmonic components. The signals pass through the RX mute switch (Q34) which is controlled by "RMUT" signal from the CPU (IC13, pin 56), and are then applied to another high-pass filter (IC6, pins 13 and 14). The filtered signals pass through the low-pass filter (IC6, pins 6 and 7) via the analog switch (IC10, pins 1 and 2). The signals are applied to the analog switch (IC10, pin 10) again, and are then applied to the AF power amplifier (IC12, pin 4) via the AF volume (R226). The amplified AF signals are output from pin 10, and are then applied to the internal speaker which is connected to J1 via the [SP] jack (J3).

#### 4-1-6 RECEIVE MUTE CIRCUITS

##### • NOISE SQUELCH

A squelch circuit cuts out AF signals when no RF signals are received. By detecting noise components in the AF signals, the squelch circuit switches the AF mute switch.

Some noise components in the AF signals from the FM IF IC (IC1, pin 9) are applied to the D/A converter (IC8, pin 1) as "DET" signal, and are then output from pin 2. The signals are applied to the active filter section in the FM IF IC (IC1, pin 8). The active filter section filters and amplifies noise components. The amplified signals are converted into the pulse-type signals at the noise detector section and output from pin 13 as "NOIS" signal.

The "NOIS" signal from the FM IF IC is applied to the CPU (IC13, pin 53). Then the CPU analyzes the noise condition and outputs the AF mute control signal from the CPU (pin 56) as "RMUT" signal from pin 56. The signal is applied to the RX mute switch (Q34) to control the AF signal muting.

##### • CTCSS AND DTCS

The tone squelch circuit detects tone signals and opens the squelch only when the receiving signal contains matched subaudible tone (CTCSS or DTCS). When tone squelch is in use, and a signal with a mismatched or no subaudible tone is received, the tone squelch circuit mutes the AF signals even when noise squelch is open.

A portion of the "DET" signals from the FM IF IC (IC1, pin 9) passes through the low-pass filter (IC7, pins 5 and 7) to remove AF (voice) signals, and are then applied to the amplifier (IC7, pin 3). The amplified signals are applied to the CTCSS or DTCS decoder inside of the CPU (IC13, pin 60) as the "CDEC" signal. The CPU outputs AF mute control signal from pin 56, and is then applied to the RX mute switch (Q34) and analog switch (IC10, pins 12 and 13) to control AF signals muting as "RMUT" signal.

#### 4-2 TRANSMITTER CIRCUITS

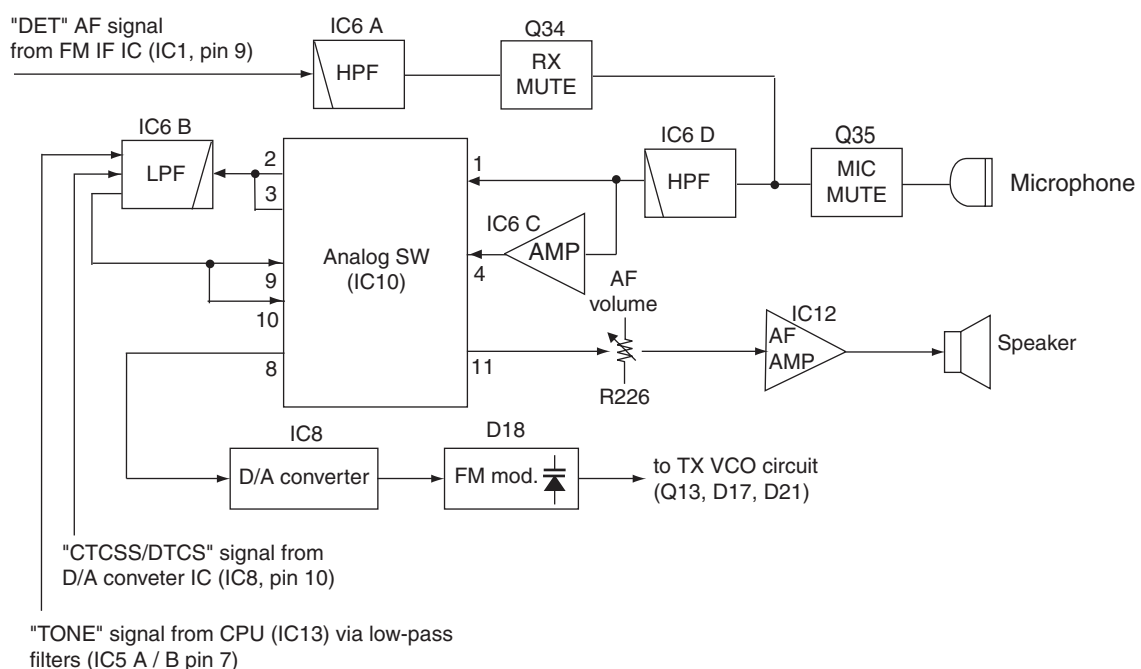
##### 4-2-1 MICROPHONE AMPLIFIER CIRCUIT

The microphone amplifier circuit amplifies audio signals within +6 dB/octave pre-emphasis characteristics from the microphone to a level needed for the modulation circuit.

The AF signals from the microphone are passed through the microphone mute switch (Q35), and are then applied to the amplifier (IC6, pins 9 and 8) via the high-pass filter (IC6, pins 13 and 14). The amplified signals are applied to the analog switch (IC10, pin 4), and outputs from pin 3. The signals pass through the low-pass filter (IC6, pins 6 and 7), then applied to the analog switch (IC10, pin 9) again and output from pin 8.

The signals are applied to the D/A converter (IC8, pin 4). The converted signals output from pin 3, and applied to the modulation circuit (D18) as "MOD" signal.

#### • ANALOG SWITCHING CIRCUITS



### 4-2-2 MODULATION CIRCUITS

The modulation circuit modulates the VCO oscillating signal (RF signal) using the audio signals from the microphone.

The AF signals from the D/A converter (IC8, pin 3) change the reactance of varactor diode (D18) to modulate the oscillated signal at the TX VCO circuit (Q13, D17, D21). The modulated VCO signal is amplified at the buffer amplifiers (Q10, Q12) and then applied to the drive amplifier circuit via the T/R switch (D14).

The CTCSS/DTCS signals ("CENC0," "CENC1," "CENC2") from the CPU (IC13, pins 23–25) pass through the low-pass filter (IC5, pins 12 and 14) via 3 registers (R191–R193) to change its waveform. Then the signals are applied to the D/A converter (IC8, pin 9). The output signals from the D/A converter (IC8, pin 10) pass through the low-pass filter (IC6, pins 6 and 7) to be mixed with "MOD" signal, and then applied to the D/A converter again (IC8, pin 4) after passing through the analog switch (IC10, pins 8 and 9).

### 4-2-3 TRANSMIT AMPLIFIER CIRCUITS

Transmit amplifiers amplify the TX VCO oscillating signal to transmit power level.

The modulated RF signal from the TX VCO circuit passes through the T/R switch (D14) and is amplified at the YGR (Q9), pre-drive (Q5), drive (Q8), and power (Q7) amplifiers to obtain 4 W (max.) of RF power (at 7.2 V DC).

The amplified signal passes through the low-pass filter (L4, C11, C13, C16), antenna switch (D2), the low-pass filter (L1–L3, C2–C5, C175, C176) and power detector (D1, D30), then applied to the antenna connector (CHASSIS unit; J1).

### 4-2-4 APC CIRCUITS

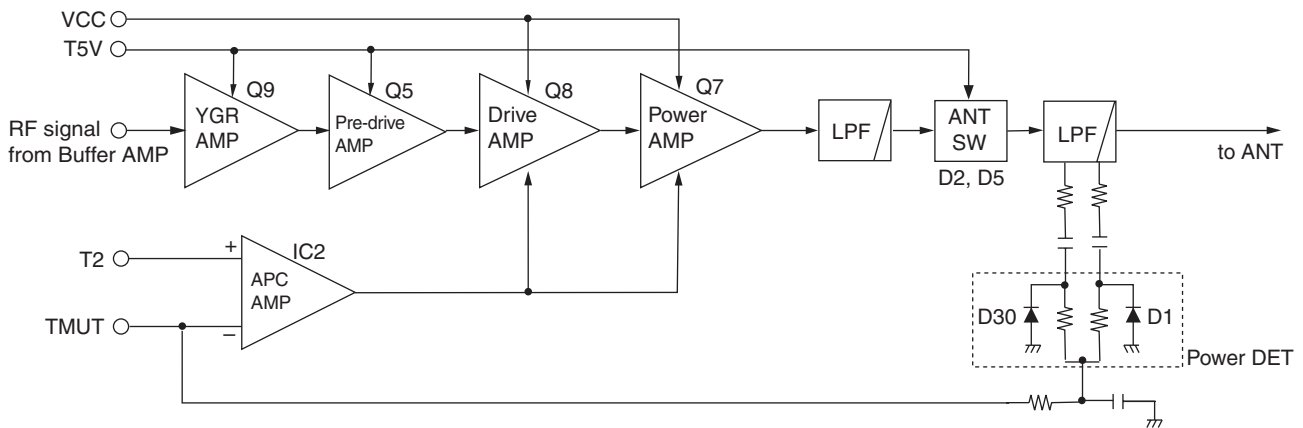
The bias current of the drive (Q8) and power (Q7) amplifiers are controlled by the APC circuit.

The APC circuit (IC2, D1, D30) protects drive and power amplifiers from the reflected signal, and selects output power of HIGH, LOW2 or LOW1.

The power detector (D1, D30) detects transmit output power and converts it into DC voltage. The DC voltage is at a minimum level when the antenna impedance is matched to 50 Ω, and increased when mismatched.

The detected voltage is applied to the differential amplifier (IC2, pin 3), and the "T2" signal from the D/A converter (IC8, pin 23), controlled by the CPU (IC13), is applied to pin 1 for reference. When antenna impedance is mismatched, the detected voltage exceeds the power setting voltage. Then the output voltage of the differential amplifier (IC2, pin 4) controls the input current of the drive (Q8), and power (Q7) amplifiers to reduce the output power.

### • APC CIRCUITS



## 4-3 PLL CIRCUITS

### 4-3-1 PLL CIRCUIT

A PLL circuit provides stable oscillation for the transmit frequency and the receive 1st LO frequency. The PLL output compares the phase of the divided VCO frequency to the reference frequency. The PLL output frequency is controlled by the divided ratio (N-data) of a programmable divider.

The PLL circuit contains the TX/RX VCO circuits (TX: Q13, D17, D21; RX: Q14, D16, D22). The oscillated signal is amplified at the buffer amplifiers (Q11, Q12) and then applied to the PLL IC (IC4, pin 8) after being passed through the low-pass filter (L32, C206, C208).

The PLL IC (IC4) contains a prescaler, programmable counter, programmable divider and phase detector, charge pump, etc. The entered signal is divided at the prescaler and programmable counter section by the N-data ratio from the CPU. The divided signal is detected on phase at the phase detector using the reference frequency. The phase detected signal is applied to the charge pump to be converted into the DC voltage, and output from pin 5. After passes through the loop filter (C130, C138, C146, C147, R95–R97), the DC voltage is applied to the TX/RX VCO as the lock voltage.

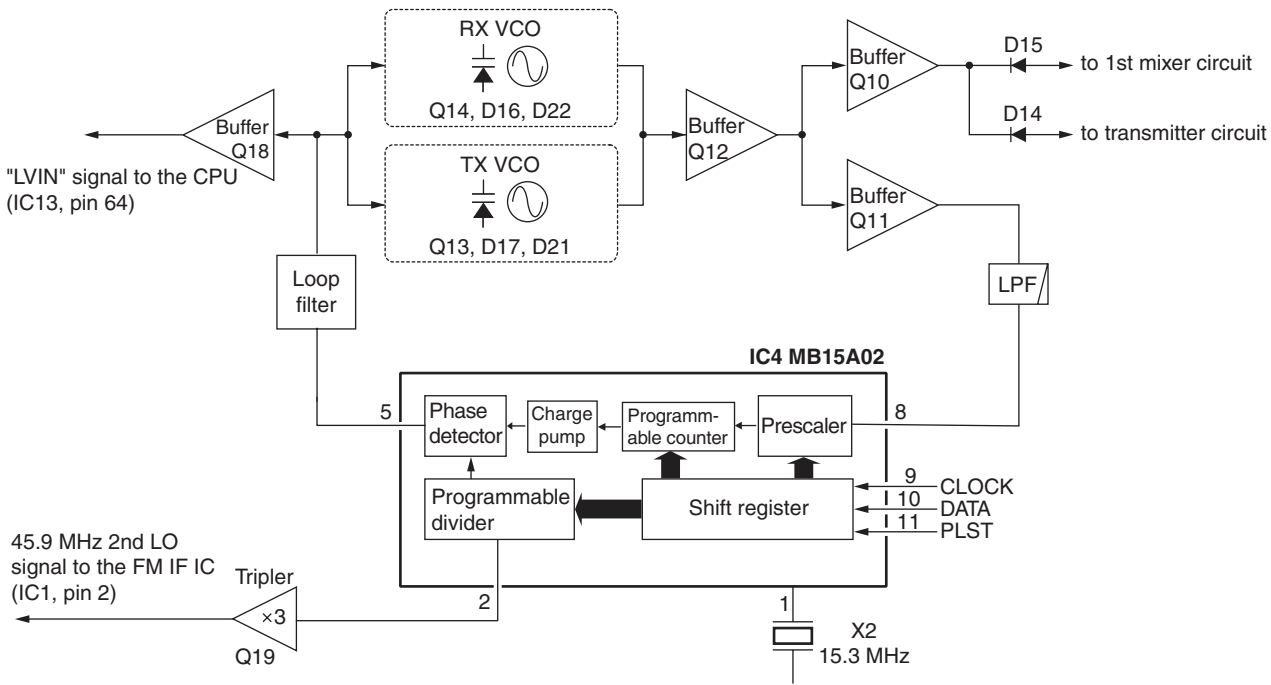
If the oscillated signal drifts, its phase changes from that of the reference frequency, causing a lock voltage change to compensate for the drift in the oscillated frequency.

### 4-3-2 VCO CIRCUITS

The VCO circuit contains a separate RX VCO (Q14, D16, D22) and TX VCO (Q13, D17, D21). The oscillated signal is amplified at the buffer amplifiers (Q10, Q12) and is then applied to the T/R switch (D14 for TX, D15 for RX). Then the receive 1st LO (RX) signal is applied to the 1st mixer circuit (Q3) and the transmit (TX) signal to the pre-drive amplifier (Q9).

A portion of the signal from the buffer amplifier (Q12) is fed back to the PLL IC (IC4, pin 8) via the buffer amplifier (Q11) and low-pass filter (L32, C206, C208) as the comparison signal.

### • PLL CIRCUITS





## 4-4 OTHER CIRCUITS

### LED CONTROL CIRCUITS

The LED control circuit is composed of the CPU (IC13), LED driver (Q32) and LED (DS1).

The CPU outputs “RLED” and “TLED” signals from the pins 42 and 43. The signals are applied to the LED driver (Q32, pins 2 and 5). The driver outputs LED control signals to the LEDs (DS1).

CONDITION	COLOR
RECEIVING (2/5-TONE CODE)	ORANGE (Lighting)
LOW BATTERY (Nearly exhausted)	RED (Blinks Slowly)
LOW BATTERY (Almost exhausted)	RED (Blinks Fast)
CLONING	ORANGE (Blinking)
RECEIVING/SQUELCH OPEN	GREEN (Lighting)
TRANSMITTING	RED (Lighting)

## 4-5 POWER SUPPLY CIRCUIT

### VOLTAGE LINE

LINE	DESCRIPTION
VCC	The voltage from the connected battery pack.
+5V	Common 5 V converted from the VCC line at the +5 regulator circuit (IC9). The output voltage is supplied to the D/A converter (IC8), analog SW (IC10), etc.
S5V	Common 5 V converted from the VCC line at the S5 regulator circuit (Q23–Q25). The output voltage is supplied to the ripple filter (Q17), PLL IC (IC4), etc.
R5V	Receive 5 V converted from the S5V line at the R5 regulator circuit (Q22). The output voltage is supplied to the tripler (Q19), FM IF IC (IC1), IF amplifier (Q4), VCO switch (Q15, Q16), 1st mixer (Q3), etc.
T5V	Transmit 5 V converted from the S5V line at the T5 regulator circuit (Q21). The output voltage is supplied to the YGR (Q9), pre-drive (Q5), APC amplifier (IC2), etc.

## 4-6 PORT ALLOCATION

### 4-6-1 D/A CONVERTER IC (IC8)

Pin number	Port name	Description
11	BAL	Outputs the modulation balance level control signal. The signal is applied to the reference frequency crystal oscillator (X2, pin 1).
14	LVA	Outputs the PLL lock voltage control signal. The output signal is applied to the RX VCO (Q14, D16, D22) and TX VCO (Q13, D17, D21).
15	REF	Outputs the reference oscillator correcting voltage. The voltage is applied to the reference frequency crystal oscillator (X2, pin 1).
22	T1	Outputs the bandpass filter tuning signal. The output signal is applied to the bandpass filters (D3, D4, D7, D8).
23	T2	<ul style="list-style-type: none"> <li>Outputs the bandpass filter tuning signal during receive. The output signal is applied to the bandpass filters (D9, D10).</li> <li>Outputs the TX power control signal during transmit. The output signal is applied to the APC amplifier (IC2, pin 1).</li> </ul>

#### 4-6-2 CPU (IC13)

Pin number	Port name	Description
1	TEMP	Input port for the transceiver's internal temperature detecting signal.
2	BATV	Input port for the detect signal for connecting battery pack's voltage.
7	RES	Input port for power reset signal.
13	SENC0	Output single tone encoder signal.
14	SENC1	
16	DUSE	Outputs DTSC LPF control signal.
18	AFON	Outputs AF power amplifier control signal.
19	SENC2	Output single tone encoder signal.
20	SENC3	
21	CBI0	Input ports for rotary selector.
22	CBI1	
23	CENC0	Output CTCSS/DTCS signals.
24	CENC1	
25	CENC2	
26	CBI2	Input ports for rotary selector.
27	CBI3	
28	SCK	Outputs serial clock signal to the PLL IC (IC4, pin 9), D/A convertor (IC6, pin 7), etc.
29	SO	Outputs serial data to the PLL IC (IC6, pin 8) and D/A convertor (IC6, pin 8).
30	BEEP	Outputs beep audio signals.
31	ESDA	I/O port for data signals from/to the EEPROM (IC15, pin 5).
32	ESCL	Outputs clock signal to the EEPROM (IC15, pin 6).
33	UNLK	Input port for unlock signal from PLL IC.
34	PLST	Outputs strobe signals to the PLL IC (IC4, pin 11).
36	NWC	Output/input port for wide/narrow control signal.
37	DAST	<ul style="list-style-type: none"> <li>• Outputs strobe signals to the D/A convertor (IC8, pin 6).</li> <li>• Input port for the connecting battery type detect signal.</li> </ul>
38	S5C	Outputs power save control signal.
39	T5C	Outputs T5 regulator control signal. Low: While transmitting
40	R5C	Outputs R5 regulator control signal. Low: While receiving

Pin number	Port name	Description
42	RLED	Outputs receiving LED control signal.
43	TLED	Outputs transmitting LED control signal.
44	OPT3	I/O ports for option unit.
45	OPT1	
46	OPT2	
47	PTT	Input port for the PTT switch detection signal. Low : While the PTT switch is pushed.
48	SI	Serial Bus inputport.
49	CLI	Input port for the cloning data signal.
50	CLO	Outputs the cloning data signal.
53	NOIS	Input port for the noise signal from the FM IF IC (MAIN unit; IC1, pin 13).
54	CIRQ	Input port for option unit detection.
55	CCS	Outputs chip select signal.
56	TMUT	Outputs transmit mute signal.
57	RMUT	Input port for AF mute signal from the RX circuit.
58	MMUT	Outputs MIC mute signal.
59	REMO	Inputs key signal from remote mic.
60	CDEC	Input port for CTCSS/DTCS signal from the amplifier (IC5, pin 8).
61	SDEC	Input port for single tone decode signal from the LPF (IC5, pin 8).
62	KEY	Inputs key input signal.
63	RSSI	Input port for the S-meter signal from the FM IF IC (IC1, pin 12).
64	LVIN	Input port for the PLL lock voltage.

# SECTION 5 ADJUSTMENT PROCEDURE

## 5-1 PREPARATION

### ■ REQUIRED EQUIPMENTS

EQUIPMENT	SPECIFICATION	EQUIPMENT	SPECIFICATION
Adjustment Software	"CS-F14 ADJ" (Revision 1.0 or later)	JIG cable (see the page 5-3)	Modified OPC-478U/UC (USB type) or OPC-478 (RS-232 type)
Audio Generator	Frequency range : 300–3000 Hz Output level : 1–500 mV	Attenuator	Power attenuation : 30 dB Capacity : More than 6 W
RF Power Meter (terminated type)	Measuring range : 1–6 W Frequency range : 100–600 MHz Impedance : 50 Ω SWR : Less than 1.2 : 1	Standard Signal Generator (SSG)	Frequency range : 0.1–600 MHz Output level : 0.1 mV to 32 mV (–127 to –17 dBm)
Frequency Counter	Frequency range : 0.1–600 MHz Frequency accuracy : ±1 ppm or better Input level : Less than 1 mW	AC Millivoltmeter	Measuring range : 10 mV to 10 V
		Oscilloscope	Frequency range : DC–20 MHz Measuring range : 0.01–20 V
Modulation Analyzer	Frequency range : 30–600 MHz Measuring range : 0 to ±10 kHz	External Speaker	Input impedance : 8 Ω Capacity : More than 5 W

### ■ SYSTEM REQUIREMENTS

- Microsoft® Windows® 98/SE/ME/2000/XP
- RS232C/USB port

### ■ BEFORE STARTING SOFTWARE ADJUSTMENT

Clone adjustment frequencies, TX power, CTCSS frequency, DTCS code and IF bandwidth into the transceiver using with the CS-F14 CLONING SOFTWARE before starting adjustment. See the next page for detail.

**CAUTION!** BACK UP the originally programmed memory data in the transceiver before programming the adjustment frequencies. When program the adjustment frequencies into the transceiver, the transceiver's memory data will be overwritten and lose original memory data at the same time.

Microsoft, Windows and Windows Vista are either registered trademarks or trademarks of Microsoft Corporation in the United States and/or other countries.



## ADJUSTMENT CHANNELS

Create "icf" file/files for adjustment as below, then clone it into the transceiver before starting adjustment.

**<IC-F24/F25/F26/F4018>  
(16CH version)**

**<IC-F26-L>**

**(For [Low band])**

- ① Create the icf file "F24 ADJ CH.icf."

**"F24Lowband ADJ CH.icf"**

CH	Atr	Inh	Frequency (MHz)			C.Tone			TOT	RF PWR	S
			RX	TX	TX Inh	W/N	RX	TX			
1	AB		400.100000	<-		W				L1	C
2			489.900000	<-		W				L1	C
3			400.100000	<-		W				H	C
4			400.100000	<-		W				L2	C
5			400.100000	<-		W				L1	C
6			435.000000	<-		N				L1	C
7			435.000000	<-		W				L1	C
8			435.000000	<-		N				L1	C
9			435.000000	<-		N		.007N		L1	C
10			435.000000	<-		W		.007N		L1	C
11			435.000000	<-		W		.151.4		L1	C
12			400.000000	<-		i	W			L1	C
13											
14											

- ② Clone the icf file into the transceiver.

**(For [High band])**

- ① Create the icf file "F24 ADJ CH.icf."

**"F24Highband ADJ CH.icf"**

CH	Atr	Inh	Frequency (MHz)			C.Tone			TOT	RF PWR	S
			RX	TX	TX Inh	W/N	RX	TX			
1	AB		450.100000	<-		W				L1	C
2			511.900000	<-		W				L1	C
3			450.100000	<-		W				H	C
4			450.100000	<-		W				L2	C
5			450.100000	<-		W				L1	C
6			485.000000	<-		N				L1	C
7			485.000000	<-		W				L1	C
8			485.000000	<-		N				L1	C
9			485.000000	<-		N		.007N		H	C
10			485.000000	<-		W		.007N		L1	C
11			485.000000	<-		W		.151.4		L1	C
12			450.100000	<-		i	W			L1	C
13											
14											

- ② Clone the icf file into the transceiver.

- ① Create the icf file "F26-L ADJ CH.icf."

**"F26-L ADJ CH.icf"**

CH	Atr	Inh	Frequency (MHz)			C.Tone			TOT	RF PWR	S
			RX	TX	TX Inh	W/N	RX	TX			
1	AB		350.100000	<-		W				L1	C
2			389.900000	<-		W				L1	C
3			350.100000	<-		W				H	C
4			350.100000	<-		W				L2	C
5			350.100000	<-		W				L1	C
6			365.000000	<-		N				L1	C
7			365.000000	<-		W				L1	C
8			365.000000	<-		N		.007N		L1	C
9			365.000000	<-		W		.007N		L1	C
10			365.000000	<-		W		.151.4		L1	C
11			350.100000	<-		i	W			L1	C
12			389.900000	<-		i	W			L1	C
13											
14											

- ② Clone the icf file into the transceiver.

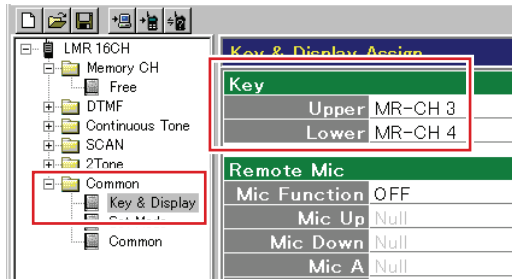
## ADJUSTMENT CHANNELS (continued)

Create "icf" file/files for adjustment as below, then clone it into the transceiver before starting adjustment.

### <IC-F24S/F25S/F26S> (2CH version)

#### (For [Low band])

- Assigne MR-CH3/MR-CH4 to the [Upper]/[Lower] keys.



- Create four icf files as below.

#### “Lowband ADJ CH FREQ\_TXPWR.icf”

Memory CH														
CH	Atr	Inh	Frequency (MHz)				C.Tone				RF PWR	PWR Save	Loc -ou	
			RX	TX	TX Inh	W/N	RX	TX	TOT					
1	AB		400.100000	<-			W					L1		
2			469.900000	<-			W					L1		
3			400.100000	<-			W					L2		
4			400.100000	<-			W					H		

#### “Lowband ADJ CH AudioMOD.icf”

Memory CH														
CH	Atr	Inh	Frequency (MHz)				C.Tone				RF PWR	PWR Save	Loc -ou	
			RX	TX	TX Inh	W/N	RX	TX	TOT					
1	AB		435.000000	<-			N					L1		
2			435.000000	<-			N					L1		
3			435.000000	<-			W					L1		
4														

#### “Lowband ADJ CH ToneMOD.icf”

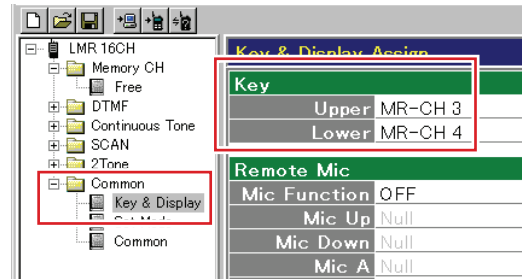
Memory CH														
CH	Atr	Inh	Frequency (MHz)				C.Tone				RF PWR	PWR Save	Loc -ou	
			RX	TX	TX Inh	W/N	RX	TX	TOT					
1	AB		435.000000	<-			N			.007N		L1		
2			435.000000	<-			W			.007N		L1		
3			435.000000	<-			W			.151.4		L1		
4														

#### “Lowband ADJ CH RX.icf”

Memory CH														
CH	Atr	Inh	Frequency (MHz)				C.Tone				RF PWR	PWR Save	Loc -ou	
			RX	TX	TX Inh	W/N	RX	TX	TOT					
1	AB		400.100000	<-			i	W				L1		
2														
3														
4														

#### (For [High band])

- Assigne MR-CH3/MR-CH4 to the [Upper]/[Lower] keys.



- Create four icf files as below.

#### “Highband ADJ CH FREQ\_TXPWR.icf”

Memory CH														
CH	Atr	Inh	Frequency (MHz)				C.Tone				RF PWR	PWR Save	Loc -ou	
			RX	TX	TX Inh	W/N	RX	TX	TOT					
1	AB		450.100000	<-			W					L1		
2			511.900000	<-			W					L1		
3			450.100000	<-			W					L2		
4			450.100000	<-			W					H		

#### “Highband ADJ CH AudioMOD.icf”

Memory CH														
CH	Atr	Inh	Frequency (MHz)				C.Tone				RF PWR	PWR Save	Loc -ou	
			RX	TX	TX Inh	W/N	RX	TX	TOT					
1	AB		485.000000	<-			N					L1		
2			485.000000	<-			N					L1		
3			485.000000	<-			W					L1		
4														

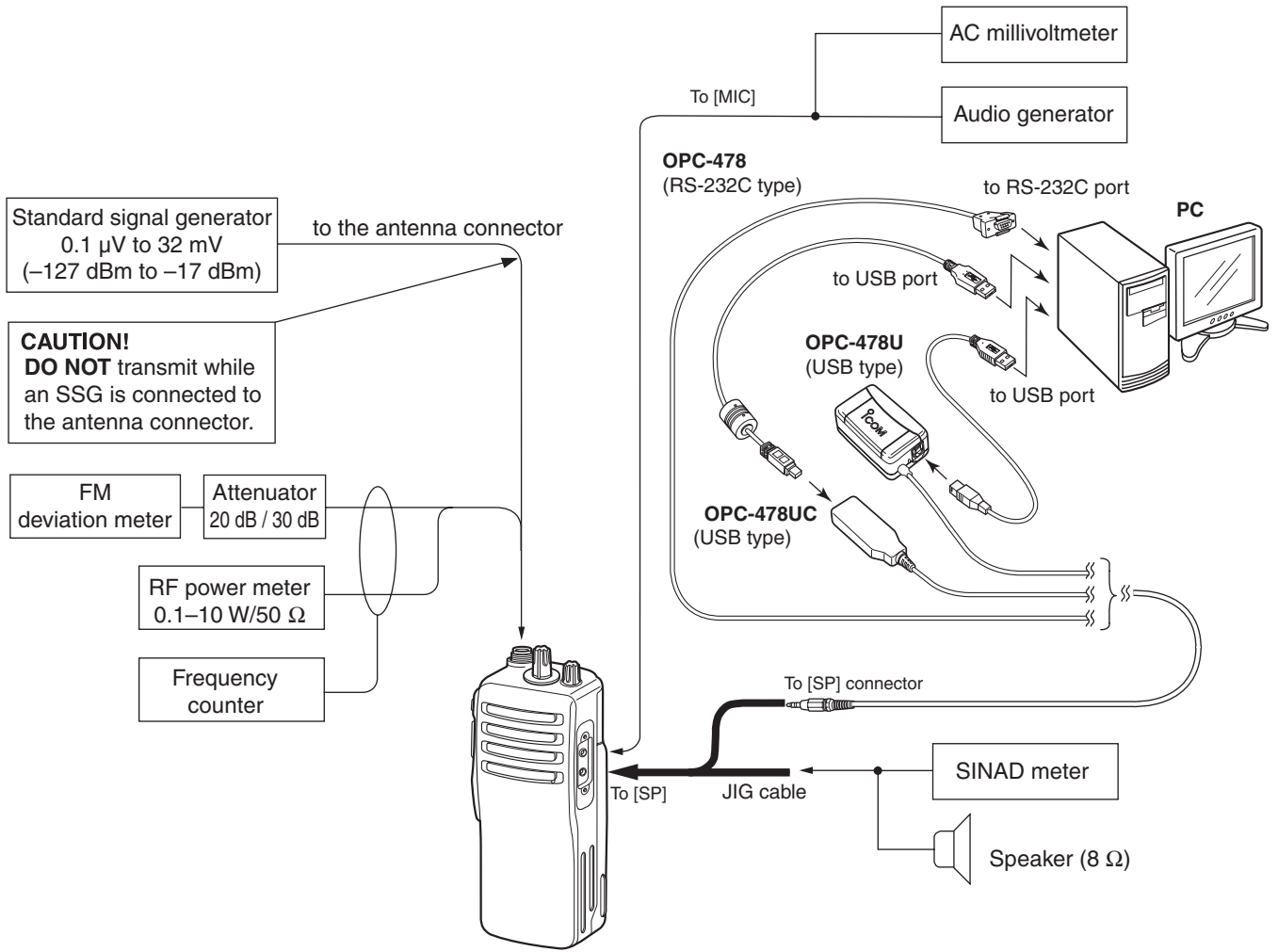
#### “Highband ADJ CH ToneMOD.icf”

Memory CH														
CH	Atr	Inh	Frequency (MHz)				C.Tone				RF PWR	PWR Save	Loc -ou	
			RX	TX	TX Inh	W/N	RX	TX	TOT					
1	AB		485.000000	<-			N			.007N		L1		
2			485.000000	<-			W			.007N		L1		
3			485.000000	<-			W			.151.4		L1		
4														

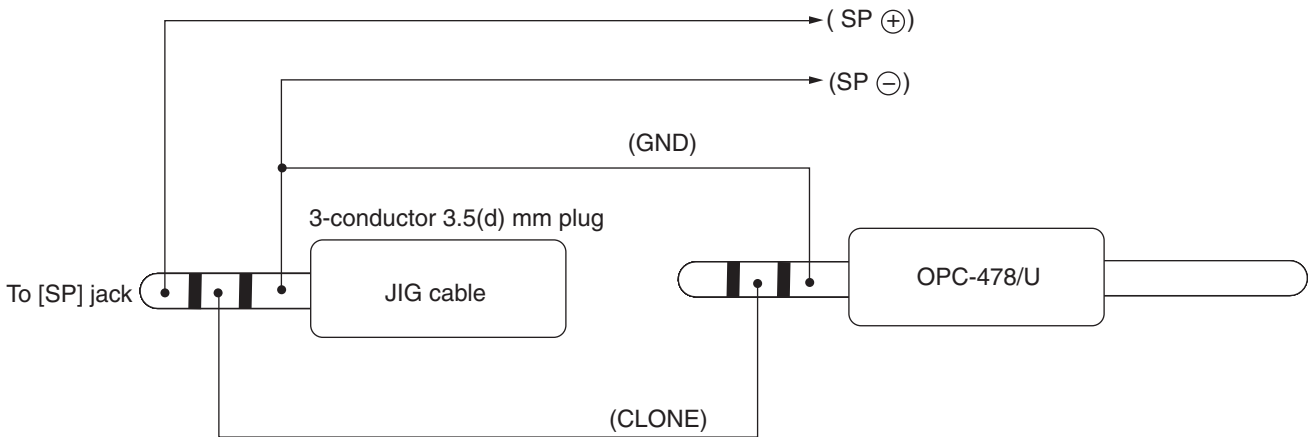
#### “Highband ADJ CH RX.icf”

Memory CH														
CH	Atr	Inh	Frequency (MHz)				C.Tone				RF PWR	PWR Save	Loc -ou	
			RX	TX	TX Inh	W/N	RX	TX	TOT					
1	AB		450.100000	<-			i	W				L1		
2														
3														
4														

• CONNECTION



• JIG CABLE

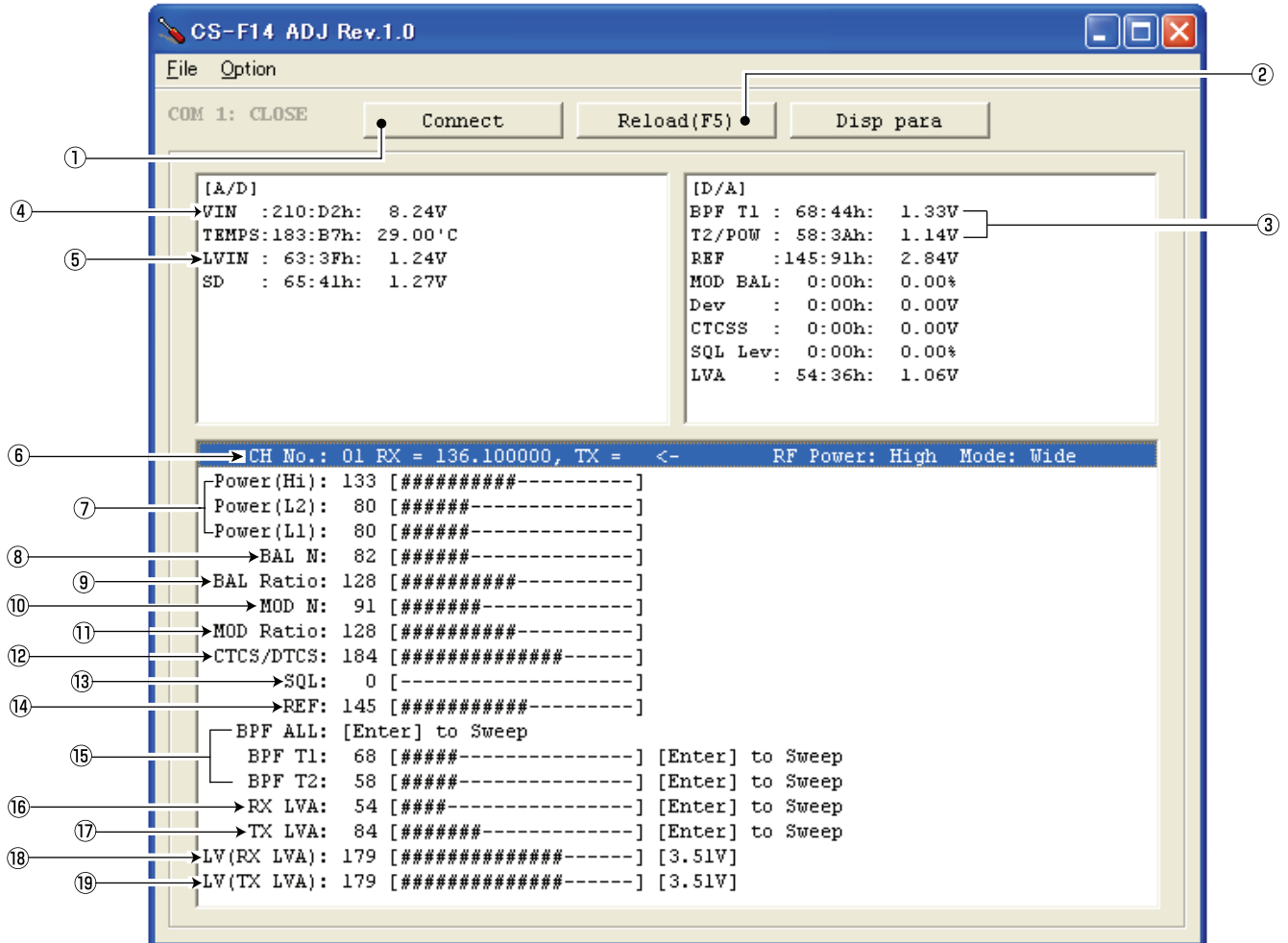




## ■ STARTING SOFTWARE ADJUSTMENT

- (1) Connect the transceiver and PC with OPC-478/U/UC and JIG CABLE (see the previous page).
- (2) Turn the transceiver power ON.
- (3) Boot up Windows, and click the program group 'CS-F14 ADJ' in the 'Programs' folder of the [Start] menu, then CS-F14 ADJ's window appears.
- (4) Click 'Connect' on the CS-F14's window, then IC-F14's up-to-date condition appears as below.
- (5) Set or modify adjustment value as specified in following guidances.

## • PC SCREEN EXAMPLE



**NOTE:** The above screen is an example.

Each transceiver has its own specific values for each setting.

- |                                     |  |
|-------------------------------------|--|
| ①: Transceiver's connection state   | ⑫: CTCSS/DTCS deviation                    |
| ②: Reload adjustment data           | ⑬: Squelch level                           |
| ③: Receive sensitivity measurement  | ⑭: Reference frequency                     |
| ④: Connected DC voltage measurement | ⑮: Receive sensitivity (automatically)     |
| ⑤: PLL lock voltage measurement     | ⑯: PLL lock voltage for RX (automatically) |
| ⑥: Operating channel select         | ⑰: PLL lock voltage for TX (automatically) |
| ⑦: RF output power                  | ⑱: PLL lock voltage for RX (manually)      |
| ⑧: FM deviation balance (Narrow)    |  |
| ⑨: FM deviation balance (Wide)      |  |
| ⑩: FM deviation (Narrow)            |  |
| ⑪: FM deviation (Wide)              |  |

## 5-2 FREQUENCY ADJUSTMENT

### 5-2-1 FREQUENCY ADJUSTMENT FOR OTHER THAN IC-F26-L

1) Select an adjustment item using cursor or [↑] / [↓] keys of the PC's keyboard.

2) Set or modify the adjustment value as specified using [←] / [→] keys of the PC's keyboard, then push the [ENTER] key.

ADJUSTMENT	ADJUSTMENT CONDITION	OPERATION	ADJUSTMENT ITEM	VALUE
PLL LOCK VOLTAGE -Preparation-	1	<For IC-F24S/F25S/F26S only> Clone the "ADJ CH FREQ_TXPWR.icf" into the transceiver.		
		• Connect an RF Power Meter to the antenna.	–	–
-Adjust- RX	2	• CH. (16CH/2CH) : CH.1/CH.1 • Receiving	• Monitoring lock voltage at the "LVIN" in the "ADJUSTMENT WINDOW" (see the previous page), adjust the [RX LVA] using [←] / [→] keys on the PC's keyboard. or • Set the [RX LVA] to "51", then push the [ENTER] key.	[RX LVA]  1.0 V (at the "LVIN" item)  or "51" (at the [RX/TX LVA])
TX	3	• CH. (16CH/2CH) : CH.1/CH.1 • Transmitting	• Monitoring lock voltage at the "LVIN" in the "ADJUSTMENT WINDOW" (see the previous page), adjust the [TX LVA] using [←] / [→] keys on the PC's keyboard. or • Set the [TX LVA] to "51", then push the [ENTER] key.	[TX LVA]
LOCK VOLTAGE VERIFICATION RX	1	<For IC-F24S/F25S/F26S only> Clone the "ADJ CH FREQ_TXPWR.icf" into the transceiver.		
		• CH. (16CH/2CH) : CH.2/CH.2 • Receiving	• Verify the lock voltage at the "LVIN" in the "ADJUSTMENT WINDOW" (see the previous page).	[LVIN]  3.3–4.5 V (Verify)
TX	2	• CH. (16CH/2CH) : CH.2/CH.2 • Transmitting		
REFERENCE FREQUENCY	1	• Connect an RF Power Meter to the antenna.	–	–
	2	• CH. (16CH/2CH) : CH.2/CH.2 • Transmitting	1) Adjust the frequency using [←] / [→] keys on the PC's keyboard. 2) Push the [ENTER] key to store the adjust value.	[REF]  469.9000 MHz [Low band] 511.9000 MHz [High band]

### 5-2-2 FREQUENCY ADJUSTMENT FOR IC-F26-L

- 1) Select an adjustment item using cursor or [↑] / [↓] keys of the PC's keyboard.
- 2) Set or modify the adjustment value as specified using [←] / [→] keys of the PC's keyboard, then push the [ENTER] key.


ADJUSTMENT	ADJUSTMENT CONDITION	OPERATION	ADJUSTMENT ITEM	VALUE
PLL LOCK VOLTAGE -Preparation-	1 • Connect an RF Power Meter to the antenna.	–	–	–
-Adjust-RX	2 • CH. : CH.1 • Receiving	• Monitoring lock voltage at the "LVIN" in the "ADJUSTMENT WINDOW" (see the previous page), adjust the [RX LVA] using [←] / [→] keys on the PC's keyboard. or • Set the [RX LVA] to "51", then push the [ENTER] key.	[RX LVA]	1.4 V (at the "LVIN" item) or "72" (at the [RX/TX LVA])
TX	3 • CH. : CH.1 • Transmitting	• Monitoring lock voltage at the "LVIN" in the "ADJUSTMENT WINDOW" (see the previous page), adjust the [TX LVA] using [←] / [→] keys on the PC's keyboard. or • Set the [TX LVA] to "51", then push the [ENTER] key.	[TX LVA]	
LOCK VOLTAGE VERIFICATION RX	1 • CH. : CH.2 • Receiving	• Verify the lock voltage at the "LVIN" in the "ADJUSTMENT WINDOW" (see the previous page).	[LVIN]	3.3–4.5 V (Verify)
TX	2 • CH. : CH.2 • Transmitting			
REFERENCE FREQUENCY	1 • Connect an RF Power Meter to the antenna.	–	–	–
	2 • CH. (16CH/2CH) : CH.2 • Transmitting	1) Adjust the frequency using [←] / [→] keys on the PC's keyboard. 2) Push the [ENTER] key to store the adjust value.	[REF]	389.9000 MHz

## 5-3 TRANSMIT ADJUSTMENT

### 5-3-1 TRANSMIT ADJUSTMENT FOR OTHER THAN IC-F26-L

1) Select an adjustment item using cursor or [↑] / [↓] keys of the PC's keyboard.

2) Set or modify the adjustment value as specified using [←] / [→] keys of the PC's keyboard, then push the [ENTER] key.

ADJUSTMENT	ADJUSTMENT CONDITION	OPERATION	ADJUSTMENT ITEM	VALUE
TRANSMIT OUTPUT POWER -Preparation-	1	<b>&lt;For IC-F24S/F25S/F26S only&gt;</b> Clone the "ADJ CH FREQ_TXPWR.icf" into the transceiver.		
		–	• Connect an RF Power Meter to the antenna connector.	–
-Adjustment-Hi	2	• CH. (16CH/2CH) : CH.3/CH.4 • Transmitting	1) Adjust the transmit output power using [←] / [→] keys on the PC's keyboard. 2) Push the [ENTER] key to store the adjust value.	[Power (Hi)] 4.0 W
L2	3	• CH. (16CH/2CH) : CH.4/CH.3 • Transmitting		[Power (L2)] 2.0 W
L1	4	• CH. (16CH/2CH) : CH.5/CH.1 • Transmitting		[Power (L1)] 1.0 W
DEVIATION -Preparation-	1	<b>&lt;For IC-F24S/F25S/F26S only&gt;</b> Clone the "ADJ CH AudioMOD.icf" into the transceiver.		
		• Connect a Modulation Analyzer to the antenna connector through an Attenuator.	• Set the Modulation Analyzer as; HPF : OFF LPF : 20 kHz De-emphasis : OFF Detector : (P-P)/2	–
	2	• Connect an Audio Generator to the MIC line through the JIG cable.	• Set the Audio Generator as; Modulation : 1 kHz Level : 40 mV rms Wave form : Sine wave	–
-Adjustment-NARROW	3	• CH. (16CH/2CH) : CH.6/CH.1 • Transmitting	1) Adjust the deviation using [←] / [→] keys on the PC's keyboard. 2) Push the [ENTER] key to store the adjust value.	[MOD N] ±2.05–2.15 kHz
WIDE	4	• CH. (16CH/2CH) : CH.7/CH.3 • Transmitting		[MOD Ratio] ±4.05–4.15 kHz
MIDDLE*	5	• CH. (16CH/2CH) : CH.8/CH.2 • Transmitting		[MOD Ratio] ±3.15–3.25 kHz
MODULATION BALANCE -Preparation-	1	<b>&lt;For IC-F24S/F25S/F26S only&gt;</b> Clone the "ADJ CH ToneMOD.icf" into the transceiver.		
		• Connect a Modulation Analyzer to the antenna connector through an attenuator.	• Set the Modulation Analyzer as; HPF : OFF LPF : 20 kHz De-emphasis : OFF Detector : (P-P)/2	–
		• Connect an Oscilloscope to the Detect terminal of the Modulation Analyzer.	–	–
-Adjustment-NARROW	2	• CH. (16CH/2CH) : CH.9/CH.1 • Transmitting	1) Adjust the waveform using [←] / [→] keys on the PC's keyboard. 2) Push the [ENTER] key to store the adjust value.	[BAL N] Square waveform
MIDDLE*	3	• CH. (16CH/2CH) : CH.9/CH.1 • Transmitting		[BAL Ratio] Flat
WIDE	4	• CH. (16CH/2CH) : CH.10/CH.2 • Transmitting		[BAL Ratio] 
CTCSS/DTCS DEVIATION -Preparation-	1	<b>&lt;For IC-F24S/F25S/F26S only&gt;</b> Clone the "ADJ CH ToneMOD.icf" into the transceiver.		
		• Connect a Modulation Analyzer to the antenna connector through an attenuator.	• Set the Modulation Analyzer as; HPF : OFF LPF : 20 kHz De-emphasis : OFF Detector : (P-P)/2	–
-Adjustment-	2	• CH. (16CH/2CH) : CH.11/CH.3 • Transmitting	1) Adjust the deviation using [←] / [→] keys on the PC's keyboard. 2) Push the [ENTER] key to store the adjust value.	[CTCSS/DTCS] ±0.66–0.70 kHz


\*: F25/S only



### 5-3-2 TRANSMIT ADJUSTMENT FOR IC-F26-L

1) Select an adjustment item using cursor or [↑] / [↓] keys of the PC's keyboard.

2) Set or modify the adjustment value as specified using [←] / [→] keys of the PC's keyboard, then push the [ENTER] key.

ADJUSTMENT	ADJUSTMENT CONDITION	OPERATION	ADJUSTMENT ITEM	VALUE	
<b>TRANSMIT OUTPUT POWER</b> -Preparation-	1	• Connect an RF Power Meter to the antenna connector.	-	-	
-Adjustment- <b>Hi</b>	2	• CH. : CH.3 • Transmitting	1) Adjust the transmit output power using [←] / [→] keys on the PC's keyboard. 2) Push the [ENTER] key to store the adjust value.	[Power (Hi)]	4.0 W
<b>L2</b>	3	• CH. : CH.4 • Transmitting		[Power (L2)]	2.0 W
<b>L1</b>	4	• CH. : CH.5 • Transmitting		[Power (L1)]	1.0 W
<b>DEVIATION</b> -Preparation-	1	• Connect a Modulation Analyzer to the antenna connector through an Attenuator.	• Set the Modulation Analyzer as; HPF : OFF LPF : 20 kHz De-emphasis : OFF Detector : (P-P)/2	-	-
	2	• Connect an Audio Generator to the MIC line through the JIG cable.	• Set the Audio Generator as; Modulation : 1 kHz Level : 40 mV rms Wave form : Sine wave	-	-
-Adjustment- <b>NARROW</b>	3	• CH. : CH.6 • Transmitting	1) Adjust the deviation using [←] / [→] keys on the PC's keyboard. 2) Push the [ENTER] key to store the adjust value.	[MOD N]	±2.05–2.15 kHz
<b>WIDE</b>	4	• CH. : CH.7 • Transmitting		[MOD Ratio]	±4.05–4.15 kHz
<b>MODULATION BALANCE</b> -Preparation-	1	• Connect a Modulation Analyzer to the antenna connector through an attenuator.	• Set the Modulation Analyzer as; HPF : OFF LPF : 20 kHz De-emphasis : OFF Detector : (P-P)/2	-	-
		• Connect an Oscilloscope to the Detect terminal of the Modulation Analyzer.	-	-	-
-Adjustment- <b>NARROW</b>	2	• CH. : CH.8 • Transmitting	1) Adjust the waveform using [←] / [→] keys on the PC's keyboard. 2) Push the [ENTER] key to store the adjust value.	[BAL N]	Square waveform Flat
<b>WIDE</b>	3	• CH. : CH.9 • Transmitting		[BAL Ratio]	
<b>CTCSS/DTCS DEVIATION</b> -Preparation-	1	• Connect a Modulation Analyzer to the antenna connector through an attenuator.	• Set the Modulation Analyzer as; HPF : OFF LPF : 20 kHz De-emphasis : OFF Detector : (P-P)/2	-	-
-Adjustment-	2	• CH. : CH.10 • Transmitting	1) Adjust the deviation using [←] / [→] keys on the PC's keyboard. 2) Push the [ENTER] key to store the adjust value.	[CTCSS/DTCS]	±0.66–0.70 kHz

## 5-4 RECEIVE ADJUSTMENT

### 5-4-1 RECEIVE ADJUSTMENT FOR OTHER THAN IC-F26-L

1) Select an adjustment item using cursor or [↑] / [↓] keys of the PC's keyboard.

2) Set or modify the adjustment value as specified using [←] / [→] keys of the PC's keyboard, then push the [ENTER] key.

ADJUSTMENT	ADJUSTMENT CONDITION	OPERATION	ADJUSTMENT ITEM	VALUE	
RECEIVE SENSITIVITY -Preparation-	1	<For IC-F24S/F25S/F26S only> Clone the "ADJ CH RX.icf" into the transceiver.			
		<ul style="list-style-type: none"> <li>Connect an SSG to the antenna connector.</li> </ul>	<ul style="list-style-type: none"> <li>Set the SSG as;                             <ul style="list-style-type: none"> <li>Frequency : 400.1000 MHz [Low band]</li> <li>450.1000 MHz [High band]</li> <li>Level : +20 dB<sub>μ</sub></li> <li>Modulation : 1 kHz</li> <li>Deviation : 3.5 kHz</li> </ul> </li> </ul>	-	-
-Adjustment-	2	<ul style="list-style-type: none"> <li>CH. (16CH/2CH) : CH.12/CH.1</li> <li>Receiving</li> </ul>	1) Select the item <b>[BPF (T1)]</b> , then push the [ENTER] key. 2) Select the item <b>[BPF (T2)]</b> , then push the [ENTER] key.	<b>[BPF (T1)]</b> <b>[BPF (T2)]</b>	(Automatic adjustment)
	CONVINIENT: <b>[BPF (T1)]</b> and <b>[BPF (T2)]</b> can be adjusted at same time as below.				
	2	<ul style="list-style-type: none"> <li>CH. (16CH/2CH) : CH.11/CH.1</li> <li>Receiving</li> </ul>	<ul style="list-style-type: none"> <li>Select the item <b>[BPF ALL]</b>, then push the [ENTER] key.</li> </ul>	<b>[BPF ALL]</b>	(Automatic adjustment)
SQUELCH -Preparation-	1	<For IC-F24S/F25S/F26S only> Clone the "ADJ CH RX.icf" into the transceiver.			
		<ul style="list-style-type: none"> <li>Connect an SSG to the antenna connector.</li> </ul>	<ul style="list-style-type: none"> <li>Set the SSG as;                             <ul style="list-style-type: none"> <li>Frequency : 400.1000 MHz [Low band]</li> <li>450.1000 MHz [High band]</li> <li>Level : -14 dB<sub>μ</sub></li> <li>Modulation : 1 kHz</li> <li>Deviation : 3.5 kHz</li> </ul> </li> </ul>	-	-
-Adjustment-	2	<ul style="list-style-type: none"> <li>CH. (16CH/2CH) : CH.12/CH.1</li> <li>Receiving</li> </ul>	1) Decrease the adjustment value <b>[SQL]</b> to close the squelch once, then increase the value to open the squelch. 2) Select the item <b>[SQL]</b> , then push the [ENTER] key to store the adjust value.	<b>[SQL]</b>	(Automatic adjustment)

### 5-4-2 RECEIVE ADJUSTMENT FOR IC-F26-L

1) Select an adjustment item using cursor or [↑] / [↓] keys of the PC's keyboard.

2) Set or modify the adjustment value as specified using [←] / [→] keys of the PC's keyboard, then push the [ENTER] key.

ADJUSTMENT	ADJUSTMENT CONDITION	OPERATION	ADJUSTMENT ITEM	VALUE
RECEIVE SENSITIVITY -Preparation-	1 • Connect an SSG to the antenna connector.	• Set the SSG as; Frequency : 350.1000 MHz Level : +20 dBμ Modulation : 1 kHz Deviation : 3.5 kHz	-	-
-Adjustment-	2 • CH. : CH.11 • Receiving	1) Select the item <b>[BPF (T1)]</b> , then push the [ENTER] key. 2) Select the item <b>[BPF (T2)]</b> , then push the [ENTER] key.	<b>[BPF (T1)]</b> <b>[BPF (T2)]</b>	(Automatic adjustment)
<b>CONVINIENT: [BPF (T1)] and [BPF (T2)] can be adjusted at same time as below.</b>				
	2 • CH. : CH.11 • Receiving	• Select the item <b>[BPF ALL]</b> , then push the [ENTER] key.	<b>[BPF ALL]</b>	(Automatic adjustment)
SQUELCH -Preparation-	1 • Connect an SSG to the antenna connector.	• Set the SSG as; Frequency : 389.9000 MHz Level : -14 dBμ Modulation : 1 kHz Deviation : 3.5 kHz	-	-
-Adjustment-	2 • CH. : CH.12 • Receiving	1) Decrease the adjustment value <b>[SQL]</b> to close the squelch once, then increase the value to open the squelch. 2) Select the item <b>[SQL]</b> , then push the [ENTER] key to store the adjust value.	<b>[SQL]</b>	(Automatic adjustment)

## SECTION 6

## PARTS LIST

[MAIN UNIT] (For other than F26-L)

REF NO.	PARTS NO.	DESCRIPTION	M.	H/V LOCATION
IC1	1110003201	S.IC TA31136FNG (EL)	B	51.8/19
IC2	1130008561	S.IC TC75S51F (TE85L,F)	T	68.9/21
IC4	1140005991	S.IC MB15A02PFV1-G-BND-ERE1	T	38.3/35.7
IC5	1110005340	S.IC NJM12902V-TE1-#ZZZB	T	29.7/11.6
IC6	1110005320	S.IC NJM13403V-TE1-#ZZZB	T	15.9/34.6
IC7	1110005330	S.IC NJM12904V-TE1-#ZZZB	T	29.2/34.6
IC8	1190000350	S.IC M62363FP-650C	T	40.3/15.2
IC9	1110005350	S.IC NJM2870F05-TE1-#FZZB	B	84.2/14.2
IC10	1130011770	S.IC CD4066BPWR	T	22.9/34.6
IC12	1110001811	S.IC TA7368FG (5,ER)	T	89.3/13.2
IC13	1140012721	S.IC HD6433687C73FPV	T	12.5/14.3
IC14	1110006260	S.IC BS5242G-TR	T	6.6/5.9
IC15	1130011540	S.IC BR24L16FV-WE2	B	16/11.6
Q1	1560000841	S.FET 2SK1829 (TE85R,F)	T	75/39.6
Q2	1580000731	S.FET 3SK293 (TE85L,F)	B	76.8/37.9
Q3	1580000760	S.FET 3SK299-T1 U73	B	66.2/37.9
Q4	1530002601	S.FET 2SC4215-O (TE85R,F)	B	51.4/23.1
Q5	1530000371	S.STR 2SC3356-T1B S (R25)	T	74.3/33.5
Q6	1590003230	S.STR UNR9113J-(TX)	T	72.5/19.1
Q7	1560001232	S.FET RD07MVS2-T112	T	82.6/27
Q8	1560001241	S.FET RD01MUS1-T113	T	76.1/27.5
Q9	1530003311	S.STR 2SC5107-O (TE85R,F)	T	67/30.3
Q10	1530003311	S.STR 2SC5107-O (TE85R,F)	T	59.4/36.3
Q11	1530003311	S.STR 2SC5107-O (TE85R,F)	B	56.3/37
Q12	1530003311	S.STR 2SC5107-O (TE85R,F)	T	59/31.5
Q13	1530002920	S.STR 2SC4226-T1 R25	T	54.9/30.7
Q14	1530002920	S.STR 2SC4226-T1 R25	T	54.2/37.1
Q15	1590001400	S.STR XP1214 (TX)	B	56.5/32.6
Q16	1590003290	S.STR UNR9213J-(TX)	B	59.1/32.6
Q17	1530002851	S.STR 2SC4116-BL (TE85R,F)	T	55.5/44.1
Q18	1560000541	S.FET 2SK880-Y (T5RICOM,F)	B	51.5/40.4
Q19	1530002851	S.STR 2SC4116-BL (TE85R,F)	T	43.3/29.9
Q21	1510000920	S.STR 2SA15777106 Q	T	71.9/16.4
Q22	1510000920	S.STR 2SA15777106 Q	T	24.9/25.9
Q23	1520000460	S.STR 2SB1132T100 R	T	81/15.2
Q24	1590001190	S.STR XP6501-(TX) .AB	T	76.3/15.1
Q25	1590003230	S.STR UNR9113J-(TX)	T	75.7/11.7
Q26	1590003290	S.STR UNR9213J-(TX)	T	49.7/18.4
Q27	1590003290	S.STR UNR9213J-(TX)	T	24.8/16.7
Q28	1590003430	S.STR UNR911HJ-(TX)	B	63.1/10.6
Q29	1590003270	S.STR UNR9210J-(TX)	B	35.7/9.2
Q30	1510001080	S.STR 2SA2048TLR	T	91.9/8.6
Q31	1590001190	S.STR XP6501-(TX) .AB	T	91.4/5.2
Q32	1590003020	S.STR XP4216-(TX)	T	16.5/23.1
Q33	1590003230	S.STR UNR9113J-(TX)	T	19.9/22.5
Q34	1560001360	S.FET 2SK3019TL	T	10.7/30.1
Q35	1560001360	S.FET 2SK3019TL	T	9.1/26.6
D1	1750001080	S.DIO RB886GT2R	B	90.2/38.7
D2	1750000581	S.DIO 1SV307 (TPH3,F)	B	91.5/31.1
D3	1750000711	S.VCP HVC350BTRF-E	B	87.5/33.5
D4	1750000711	S.VCP HVC350BTRF-E	B	87.5/34.8
D5	1790001260	S.DIO MA2S077-(TX)	B	87.4/36.7
D6	1790001240	S.DIO MA2S728-(TX)	B	85/39.9
D7	1750000711	S.VCP HVC350BTRF-E	B	81.8/33.5
D8	1750000711	S.VCP HVC350BTRF-E	B	81.8/34.8
D9	1750000711	S.VCP HVC350BTRF-E	B	73.6/35.9
D10	1750000711	S.VCP HVC350BTRF-E	B	72.2/35.9
D14	1790001260	S.DIO MA2S077-(TX)	T	65.8/35.3
D15	1790001260	S.DIO MA2S077-(TX)	T	65.8/36.7
D16	1750000711	S.VCP HVC350BTRF-E	T	52.6/38.9
D17	1750000711	S.VCP HVC350BTRF-E	T	49.4/28.3
D18	1720000570	S.VCP MA368 (TX)	B	49.6/26.9
D21	1750000711	S.VCP HVC350BTRF-E	T	50.5/33.7
D22	1750000711	S.VCP HVC350BTRF-E	T	50.5/35.2
D24	1790001250	S.DIO MA2S111-(TX)	T	41.5/39.2
D25	1790001250	S.DIO MA2S111-(TX)	T	70.5/40.4
D26	1790001790	S.DIO RB876WTL	B	35.7/7.1
D27	1750000520	S.DIO DAN222TL	B	21.3/3.6
D28	1790001260	S.DIO MA2S077-(TX)	B	8.5/11.2
D29	1750000940	S.DIO ISS400TE61	B	23.1/4
D30	1750001080	S.DIO RB886GT2R	T	88.5/36.2
D31	1790001010	S.ZEN MA8043-L (TX) [High band] only	B	74.5/19.9
F11	2030000150	S.MLH FL-335 (46.350 MHz)	B	62.8/27.1
F12	2020001840	CER ALFYM450F=K		
F13	2040001440	S.LC NFE31PT15Z21E9L	B	81.2/17.8
X1	6070000191	S.DCR CDBKB450KAY24-R0	T	54.4/20
X2	6050011940	S.XTL CR-783 (15.3 MHz)	T	36.9/28.9
X3	6050011720	S.XTL CR-764 (19.6608 MHz)	B	12/5.9
L1	6200012490	S.COL 0.30-0.9-6TR 13.6N <COMO>	B	94.7/36.4
L2	6200013010	S.COL 0.30-0.9-5TL 10.3N <COMO>	B	94.8/31.9
L3	6200012610	S.COL 0.40-0.9-2TL 2.8N <COMO>	B	92.9/26.3
L4	6200012610	S.COL 0.40-0.9-2TL 2.8N <COMO>	B	89.9/20.6
L5	6200009070	S.COL LQW18AN18NG00D [High band]	B	89.1/36.5
	6200010850	S.COL LQW18AN22NG00D [Low band]	B	89.1/36.5
L7	6200007690	S.COL LQW2BHN18NJ03L [High band]	B	84.3/34.5
	6200007700	S.COL LQW2BHN22NJ03L [Low band]	B	84.3/34.5
L8	6200007690	S.COL LQW2BHN18NJ03L [High band]	B	78.9/35.3
	6200007700	S.COL LQW2BHN22NJ03L [Low band]	B	78.9/35.3

[MAIN UNIT] (For other than F26-L)

REF NO.	PARTS NO.	DESCRIPTION	M.	H/V LOCATION
L9	6200007670	S.COL LQW2BHN10NJ03L [High band]	B	75.9/35.2
	6200007680	S.COL LQW2BHN12NJ03L [Low band]	B	75.9/35.2
L11	6200007230	S.COL LQW2BHN15NJ03L [Low band]	B	70.6/37.8
	6200007680	S.COL LQW2BHN12NJ03L [High band]	B	70.6/37.8
L12	6200005720	S.COL ELJRE 33NG-F [Low band] only	B	64.2/39
L13	6200007850	S.COL ELJNC R82K-F	B	66.8/33.9
L15	6200002850	S.COL NL 252018T-R82J	T	93.8/31.8
L15	6200002851	S.COL NLV25T-R82J	T	93.8/31.8
L17	6200012980	S.COL 0.40-1.4-5TR 18.3N	B	81.2/20.9
L19	6200005670	S.COL ELJRE 12NG-F [Low band] only	T	76/35.5
L20	6200005691	S.COL ELJRE 18NGFA	T	68.8/33.1
L21	6200007881	S.COL ELJRF 33NJFB	T	59.2/38.6
L22	6200007901	S.COL ELJRF 22NJFB	T	59.5/33.3
L23	6200002850	S.COL NL 252018T-R82J	T	55.2/28.1
L23	6200002851	S.COL NLV25T-R82J	T	55.2/28.1
L25	6200008490	S.COL 0.30-0.9-3TR 7.5N	T	49.5/29.9
L25	6200012390	S.COL 0.30-0.92-3TR 5.8N <COMO>	T	49.5/29.9
L26	6200008510	S.COL 0.30-0.9-4TR 10.5N	T	49/37.9
L26	6200012970	S.COL 0.30-0.91-4TR 8.6N <COMO>	T	49/37.9
L27	6200004950	S.COL NL 252018T-1R8J	B	52.8/29
L27	6200004951	S.COL NLV25T-1R8J	B	52.8/29
L28	6200004950	S.COL NL 252018T-1R8J	B	52/36.6
L28	6200004951	S.COL NLV25T-1R8J	B	52/36.6
L29	6200004660	S.COL MLF1608A 1R8K-T	T	43.9/36.4
L30	6200007880	S.COL ELJRF 33NJF2 (33)	B	85.1/38.7
L30	6200007881	S.COL ELJRF 33NJFB	B	85.1/38.7
L32	6200007910	S.COL ELJRF 18NJF2 (18)	B	55.9/42.3
L32	6200007911	S.COL ELJRF 18NJFB	B	55.9/42.3
L33	6200004480	S.COL MLF1608D R82K-T	T	43.4/25.9
L35	6200003540	S.COL MLF1608D R22K-T	T	41.7/31.8
L38	6200005710	S.COL ELJRE 27NG-F	B	65.6/40.7
L38	6200005711	S.COL ELJRE 27NGFA	B	65.6/40.7
L40	6200002850	S.COL NL 252018T-R82J	T	53.6/34.6
L40	6200002851	S.COL NLV25T-R82J	T	53.6/34.6
L41	6200007880	S.COL ELJRF 33NJF2 (33)	B	58.4/38.2
L41	6200007881	S.COL ELJRF 33NJFB	B	58.4/38.2
L42	6200004951	S.COL NLV25T-1R8J	B	49.4/34
L43	6200004951	S.COL NLV25T-1R8J	B	49.4/31.8
L45	6200012490	S.COL 0.30-0.9-6TR 13.6N <COMO>	B	94.9/39.6
R1	7030003490	S.RES ERJ3GEYJ 272 V (2.7 k)	B	91.8/39.9
R2	7030005120	S.RES ERJ2GEJ 102 X (1 k)	B	92.1/37.7
R3	7030004970	S.RES ERJ2GEJ 470 X (47) [Low band]	T	66.7/22.7
	7030005570	S.RES ERJ2GEJ 820 X (82) [High band]	T	66.7/22.7
R4	7030005050	S.RES ERJ2GEJ 103 X (10 k)	T	75.8/20.8
R5	7030005050	S.RES ERJ2GEJ 103 X (10 k) [Low band]	T	73.3/21.1
	7030005220	S.RES ERJ2GEJ 223 X (22 k) [High band]	T	73.3/21.1
R6	7030005090	S.RES ERJ2GEJ 104 X (100 k)	T	66.7/18.2
R7	7030005310	S.RES ERJ2GEJ 124 X (120 k)	T	68/17.7
R8	7030005100	S.RES ERJ2GEJ 154 X (150 k) [High band]	T	71.3/21.1
	7030005170	S.RES ERJ2GEJ 474 X (470 k) [Low band]	T	71.3/21.1
R9	7030008280	S.RES ERJ2GEJ 271 X (270)	T	71.3/22.4
R10	7030005120	S.RES ERJ2GEJ 102 X (1 k)	T	68.4/24
R11	7030005090	S.RES ERJ2GEJ 104 X (100 k)	T	85.5/36.7
R12	7030005530	S.RES ERJ2GEJ 100 X (10)	T	77.5/37.5
R13	7030005090	S.RES ERJ2GEJ 104 X (100 k)	T	82.3/35.7
R14	7030005050	S.RES ERJ2GEJ 103 X (10 k)	T	83.9/36.7
R15	7030005240	S.RES ERJ2GEJ 473 X (47 k)	B	79.1/39
R16	7030004980	S.RES ERJ2GEJ 101 X (100)	B	74.8/39.9
R17	7030004970	S.RES ERJ2GEJ 470 X (47)	B	74/33.3
R18	7030005050	S.RES ERJ2GEJ 103 X (10 k)	T	78.8/36.7
R19	7030005080	S.RES ERJ2GEJ 823 X (82 k)	T	78.8/38.7
R20	7030005120	S.RES ERJ2GEJ 102 X (1 k) [Low band]	B	75.9/33.6
	7030005240	S.RES ERJ2GEJ 473 X (47 k) [High band]	B	75.9/33.6
R21	7030005110	S.RES ERJ2GEJ 224 X (220 k)	T	72.2/38.9
R22	7030005050	S.RES ERJ2GEJ 103 X (10 k)	T	69.2/38.9
R23	7030005110	S.RES ERJ2GEJ 224 X (220 k)	T	71.2/38.9
R24	7030005050	S.RES ERJ2GEJ 103 X (10 k)	T	64.6/38
R25	7030007340	S.RES ERJ2GEJ 153 X (15 k)	B	68/37.8
R26	7030007340	S.RES ERJ2GEJ 153 X (15 k)	B	64.2/38.1
R27	7030005310	S.RES ERJ2GEJ 124 X (120 k)	B	62.5/38.1
R28	7030005080	S.RES ERJ2GEJ 823 X (82 k)	B	62.5/40.8
R29	7030004980	S.RES ERJ2GEJ 101 X (100)	B	64.2/35.1
R30	7030005000	S.RES ERJ2GEJ 471 X (470)	B	67.7/35.7
R31	7030004980	S.RES ERJ2GEJ 101 X (100)	B	64.2/32.1
R32	7030004980	S.RES ERJ2GEJ 101 X (100)	B	66.1/31.1
R33	7030007270	S.RES ERJ2GEJ 151 X (150)	B	55.5/25.2
R34	7030005110	S.RES ERJ2GEJ 224 X (220 k)	B	52.5/25.2
R35	7030004980	S.RES ERJ2GEJ 101 X (100)	B	50.5/25.2
R36	7030007300	S.RES ERJ2GEJ 332 X (3.3 k)	T	52.5/15.5
R37	7030009140	S.RES ERJ2GEJ 272 X (2.7 k)	T	50.7/16.3
R38	7030005090	S.RES ERJ2GEJ 104 X (100 k)	T	46.5/21
R39	7030004970	S.RES ERJ2GEJ 470 X (47)	B	55.8/22.3
R40	7030007270	S.RES ERJ2GEJ 151 X (150)	B	56.2/21.1
R43	7030004970	S.RES ERJ2GEJ 470 X (47)	B	47.5/15.4
R44	7030005090	S.RES ERJ2GEJ 104 X (100 k)	B	54.8/15.4
R45	7030005090	S.RES ERJ2GEJ 104 X (100 k)	B	52.8/13.7
R46	7030005000	S.RES ERJ2GEJ 471 X (470)	B	53.8/13.7
R48	7030005000	S.RES ERJ2GEJ 471 X (470)	B	51.5/25.2
R50	7030004980	S.RES ERJ2GEJ 101 X (100)	T	66.3/38
R51	7030003670	S.RES ERJ3GEYJ 823 V (82 k)	B	96.5/37.3
R52	7030004990	S.RES ERJ2GEJ 221 X (220)	T	93.3/35.9
R53	7030005530	S.RES ERJ2GEJ 100 X (10) [Low band]	T	80/22.5
	7030005710	S.RES ERJ2GEJ 121 X (120) [High band]	T	80/22.5
R54	7030005060	S.RES ERJ2GEJ 333 X (33 k)	T	81.3/21.4

M.=Mounted side (T: Mounted on the Top side, B: Mounted on the Bottom side)  
S.=Surface mount



[MAIN UNIT] (For other than F26-L)

REF NO.	PARTS NO.	DESCRIPTION	M.	H/V LOCATION
R55	7030005040	S.RES ERJ2GEJ 472 X (4.7 k)	T	80/20.9
R56	7030003860	S.RES ERJ3GE JPW	T	78/22.4
R57	7030004970	S.RES ERJ2GEJ 470 X (47)	T	75.2/23.2
R58	7030005060	S.RES ERJ2GEJ 333 X (33 k)	T	
		[High band] only	T	72.1/24
R59	7030005040	S.RES ERJ2GEJ 472 X (4.7 k)	T	71.2/24
R61	7030004970	S.RES ERJ2GEJ 470 X (47)	T	71.8/36.3
R62	7030005220	S.RES ERJ2GEJ 223 X (22 k)	T	72.1/35
R65	7030004980	S.RES ERJ2GEJ 101 X (100)	T	69.4/34.2
R66	7030007340	S.RES ERJ2GEJ 153 X (15 k)	T	67.8/34.2
R67	7030004980	S.RES ERJ2GEJ 101 X (100)	T	67.8/35.1
R68	7030005050	S.RES ERJ2GEJ 103 X (10 k)	T	69.4/35.1
R69	7030005040	S.RES ERJ2GEJ 472 X (4.7 k)	T	64.1/35.2
R70	7030005530	S.RES ERJ2GEJ 100 X (10)	B	57.6/40.3
R71	7030005070	S.RES ERJ2GEJ 683 X (68 k)	T	58.2/38.6
R73	7030004980	S.RES ERJ2GEJ 101 X (100)	B	57.7/30.5
R75	7030005110	S.RES ERJ2GEJ 224 X (220 k)	B	58.4/36.1
R76	7030004980	S.RES ERJ2GEJ 101 X (100)	B	57.6/39.3
R77	7030005050	S.RES ERJ2GEJ 103 X (10 k)	B	56.7/30.5
R78	7030005090	S.RES ERJ2GEJ 104 X (100 k)	T	57.8/33.3
R79	7030006020	S.RES RR0510P-682-D (6.8 k)	T	56.5/39.1
R80	7030005120	S.RES ERJ2GEJ 102 X (1 k) [High band]	B	54.6/32.8
		[Low band]	B	54.6/32.8
R82	7030009320	S.RES ERJ2GEJ 4R7 X (4.7)	T	52.6/32
R83	7030006020	S.RES RR0510P-682-D (6.8 k)	T	54.1/32.6
R84	7030006020	S.RES RR0510P-682-D (6.8 k)	T	52.1/28.6
R85	7030006020	S.RES RR0510P-682-D (6.8 k)	T	54.7/39.1
R86	7030005530	S.RES ERJ2GEJ 100 X (10)	B	48.2/28.8
R87	7030005110	S.RES ERJ2GEJ 224 X (220 k)	B	48.1/25.3
R88	7030005010	S.RES ERJ2GEJ 681 X (680) [High band]	B	54.6/31
		[Low band]	B	54.6/31
R89	7030005050	S.RES ERJ2GEJ 103 X (10 k)	B	49.3/41.2
R90	7030005170	S.RES ERJ2GEJ 474 X (470 k)	B	46.9/25.1
R92	7030005310	S.RES ERJ2GEJ 124 X (120 k)	B	46.9/26.1
R93	7030005120	S.RES ERJ2GEJ 102 X (1 k)	T	39.8/39.4
R94	7030005100	S.RES ERJ2GEJ 154 X (150 k)	T	41.8/40.8
R95	7030005120	S.RES ERJ2GEJ 102 X (1 k)	B	49.9/36.4
R96	7030008410	S.RES ERJ2GEJ 392 X (3.9 k)	B	
		[Low band]	B	49.3/40.1
	7030009140	S.RES ERJ2GEJ 272 X (2.7 k)	B	
		[High band]	B	49.3/40.1
R97	7030005120	S.RES ERJ2GEJ 102 X (1 k)	B	49.3/38.1
R98	7030007290	S.RES ERJ2GEJ 222 X (2.2 k)	T	53.5/44.1
R100	7030005040	S.RES ERJ2GEJ 472 X (4.7 k)	B	52.9/38.8
R101	7030005000	S.RES ERJ2GEJ 471 X (470)	B	51.4/43.3
R103	7030005240	S.RES ERJ2GEJ 473 X (47 k)	T	33.1/27.8
R104	7030005230	S.RES ERJ2GEJ 334 X (330 k)	T	31.5/26.9
R105	7030005170	S.RES ERJ2GEJ 474 X (470 k)	T	32.6/29.1
R106	7030005050	S.RES ERJ2GEJ 103 X (10 k)	T	37.5/32
R107	7030005580	S.RES ERJ2GEJ 560 X (56)	B	55.9/43.3
R108	7030005600	S.RES ERJ2GEJ 273 X (27 k) [Low band]	T	44.9/21
		[High band]	T	44.9/21
R109	7030005090	S.RES ERJ2GEJ 104 X (100 k)	T	43.9/21
R110	7030005240	S.RES ERJ2GEJ 473 X (47 k)	B	21.8/34.3
R111	7030005090	S.RES ERJ2GEJ 104 X (100 k)	T	27.1/28.7
R113	7030006610	S.RES ERJ2GEJ 394 X (390 k)	B	46.9/31.1
R114	7030005100	S.RES ERJ2GEJ 154 X (150 k)	B	46.9/29.1
R115	7030007570	S.RES ERJ2GEJ 122 X (1.2 k)	T	40.5/32
R116	7030007060	S.RES ERJ2GEJ 684X (680 k)	T	43.4/32.7
R117	7030005040	S.RES ERJ2GEJ 472 X (4.7 k)	T	35.3/40.1
R118	7030005040	S.RES ERJ2GEJ 472 X (4.7 k)	T	37.2/40.1
R123	7030008400	S.RES ERJ2GEJ 182 X (1.8 k)	T	75.2/37.7
R124	7030005170	S.RES ERJ2GEJ 474 X (470 k)	T	72.7/40.4
R125	7030005110	S.RES ERJ2GEJ 224 X (220 k)	T	73.2/38.9
R131	7510001730	S.TMR ERTJOEP 473J	T	40.9/28.1
R132	7030010080	S.RES ERJ2RHD 104 X (100 k)	T	40.9/27.1
R133	7030005050	S.RES ERJ2GEJ 103 X (10 k)	T	84.1/14.2
R134	7030005040	S.RES ERJ2GEJ 472 X (4.7 k)	T	74/14.3
R135	7030005050	S.RES ERJ2GEJ 103 X (10 k)	T	24.5/24
R136	7030005040	S.RES ERJ2GEJ 472 X (4.7 k)	T	22.8/24
R137	7030005050	S.RES ERJ2GEJ 103 X (10 k)	T	69.8/14.7
R138	7030005040	S.RES ERJ2GEJ 472 X (4.7 k)	T	69.8/16.7
R141	7030005000	S.RES ERJ2GEJ 471 X (470)	T	37/9.9
R142	7030005000	S.RES ERJ2GEJ 471 X (470)	T	43/9.9
R143	7030007340	S.RES ERJ2GEJ 153 X (15 k)	T	37.2/24.4
R144	7030005050	S.RES ERJ2GEJ 103 X (10 k)	B	46.5/13.7
R145	7030005090	S.RES ERJ2GEJ 104 X (100 k)	T	33.4/18.1
R146	7030005090	S.RES ERJ2GEJ 104 X (100 k)	T	31.6/18.1
R147	7030007350	S.RES ERJ2GEJ 393 X (39 k)	T	33.4/16.1
R148	7030005080	S.RES ERJ2GEJ 823 X (82 k)	T	31.6/16.1
R149	7030006610	S.RES ERJ2GEJ 394 X (390 k)	T	33.4/12.9
R150	7030008300	S.RES ERJ2GEJ 184 X (180 k)	T	33.4/11.9
R151	7030005030	S.RES ERJ2GEJ 152 X (1.5 k)	T	33.4/13.9
R152	7030005220	S.RES ERJ2GEJ 223 X (22 k)	T	31.1/29.6
R153	7030005220	S.RES ERJ2GEJ 223 X (22 k)	T	29.9/29.1
R154	7030005220	S.RES ERJ2GEJ 223 X (22 k)	T	28.2/30.1
R155	7030005090	S.RES ERJ2GEJ 104 X (100 k)	T	29.8/41.1
R156	7030005170	S.RES ERJ2GEJ 474 X (470 k)	T	29.8/40.1
R157	7030007290	S.RES ERJ2GEJ 222 X (2.2 k)	T	31.5/39.1
R159	7030008010	S.RES ERJ2GEJ 123 X (12 k)	T	15.7/28.8
R160	7030004980	S.RES ERJ2GEJ 101 X (100)	B	5.5/31
R161	7030005040	S.RES ERJ2GEJ 472 X (4.7 k)	T	12.9/27.3
R162	7030005050	S.RES ERJ2GEJ 103 X (10 k)	T	8.7/29.1
R163	7030005050	S.RES ERJ2GEJ 103 X (10 k)	T	14.1/29.8
R164	7030008410	S.RES ERJ2GEJ 392 X (3.9 k)	T	15.7/27.8
R165	7030008410	S.RES ERJ2GEJ 392 X (3.9 k)	T	12.6/31.9
R166	7030005240	S.RES ERJ2GEJ 473 X (47 k)	T	12.6/36.1
R167	7030009290	S.RES ERJ2GEJ 562 X (5.6 k)	T	15.7/29.8
R168	7030005000	S.RES ERJ2GEJ 471 X (470)	T	16.3/40.1
R169	7030005100	S.RES ERJ2GEJ 154 X (150 k)	T	18/41.1
R170	7030008010	S.RES ERJ2GEJ 123 X (12 k)	T	12.9/29.3
R171	7030005100	S.RES ERJ2GEJ 154 X (150 k)	T	11.6/36.1
R172	7030005700	S.RES ERJ2GEJ 274 X (270 k)	T	18/39.1
R173	7030005310	S.RES ERJ2GEJ 124 X (120 k)	T	19.4/26.8

[MAIN UNIT] (For other than F26-L)

REF NO.	PARTS NO.	DESCRIPTION	M.	H/V LOCATION
R174	7030005090	S.RES ERJ2GEJ 104 X (100 k)	T	19.4/28.8
R175	7030005110	S.RES ERJ2GEJ 224 X (220 k)	T	19.4/27.8
R176	7030005100	S.RES ERJ2GEJ 154 X (150 k)	T	17.7/27.8
R177	7030005060	S.RES ERJ2GEJ 333 X (33 k)	T	17.7/28.8
R178	7030005710	S.RES ERJ2GEJ 121 X (120)	T	19.4/30.7
R179	7030005120	S.RES ERJ2GEJ 102 X (1 k)	B	11.5/16.8
R180	7030005160	S.RES ERJ2GEJ 105 X (1 M)	T	24.7/40.1
R181	7030005240	S.RES ERJ2GEJ 473 X (47 k)	T	21.1/40.1
R182	7030005090	S.RES ERJ2GEJ 104 X (100 k)	T	24.7/39.1
R183	7030006020	S.RES RR0510P-682-D (6.8 k)	B	17.2/39.1
R184	7030008250	S.RES RR0510P-562-D (5.6 k)	B	17.7/40.4
R185	7030005310	S.RES ERJ2GEJ 124 X (120 k)	B	18.7/40.4
R186	7030005080	S.RES ERJ2GEJ 823 X (82 k)	B	19.4/29.8
R187	7030005120	S.RES ERJ2GEJ 102 X (1 k)	B	9/18.2
R190	7030007280	S.RES ERJ2GEJ 331 X (330)	T	34.7/18.9
R191	7030008300	S.RES ERJ2GEJ 184 X (180 k)	T	18/4.1
R192	7030005720	S.RES ERJ2GEJ 563 X (56 k)	T	18/5.1
R193	7030005220	S.RES ERJ2GEJ 223 X (22 k)	T	18/6.1
R194	7030005220	S.RES ERJ2GEJ 223 X (22 k)	T	23.9/10.9
R195	7030005050	S.RES ERJ2GEJ 103 X (10 k)	T	19.7/4.1
R196	7030005240	S.RES ERJ2GEJ 473 X (47 k)	T	23.9/11.9
R197	7030005240	S.RES ERJ2GEJ 473 X (47 k)	T	23.9/12.9
R198	7030005240	S.RES ERJ2GEJ 473 X (47 k)	T	25.7/12.9
R200	7030005040	S.RES ERJ2GEJ 472 X (4.7 k)	T	25.7/14.9
R201	7030005240	S.RES ERJ2GEJ 473 X (47 k)	T	23.9/14.9
R206	7030005110	S.RES ERJ2GEJ 224 X (220 k)	T	13.4/4.1
R207	7030005090	S.RES ERJ2GEJ 104 X (100 k)	T	13.4/5.1
R208	7030005240	S.RES ERJ2GEJ 473 X (47 k)	T	15.6/5.1
R209	7030005220	S.RES ERJ2GEJ 223 X (22 k)	T	15.6/6.1
R210	7030008010	S.RES ERJ2GEJ 123 X (12 k)	T	15.6/4.1
R211	7030005070	S.RES ERJ2GEJ 683 X (68 k)	T	27.1/4.1
R212	7030005070	S.RES ERJ2GEJ 683 X (68 k)	T	27.1/5.1
R213	7030005070	S.RES ERJ2GEJ 683 X (68 k)	T	27.1/6.1
R214	7030005070	S.RES ERJ2GEJ 683 X (68 k)	T	29.1/7.1
R215	7030005070	S.RES ERJ2GEJ 683 X (68 k)	T	31/6.1
R220	7030004980	S.RES ERJ2GEJ 101 X (100)	B	15.9/23.3
R221	7030005000	S.RES ERJ2GEJ 171 X (470)	B	66.5/10.7
R222	7030005080	S.RES ERJ2GEJ 823 X (82 k)	B	63.9/8.5
R223	7030005060	S.RES ERJ2GEJ 333 X (33 k)	B	61/11.3
R224	7030005000	S.RES ERJ2GEJ 471 X (470)	B	75.5/10.3
R225	7030004980	S.RES ERJ2GEJ 101 X (100)	B	33.9/7.1
R226	7210003061	VAR TP76N00N-15F-A103-2251A		
R227	7030005050	S.RES ERJ2GEJ 103 X (10 k)	T	94.9/13.9
R228	7030005120	S.RES ERJ2GEJ 102 X (1 k)	T	94.2/15.2
R229	7030005530	S.RES ERJ2GEJ 100 X (10)	T	86/9.7
R230	7030005530	S.RES ERJ2GEJ 100 X (10)	T	87.2/17.2
R231	7030005120	S.RES ERJ2GEJ 102 X (1 k)	T	90.6/2.8
R232	7030007300	S.RES ERJ2GEJ 332 X (33 k)	T	93.2/4.4
R233	7030007300	S.RES ERJ2GEJ 332 X (33 k)	T	92.7/2.8
R234	7030005100	S.RES ERJ2GEJ 154 X (150 k)	B	23.3/6.2
R235	7030005090	S.RES ERJ2GEJ 104 X (100 k)	B	20.3/4.2
R236	7030005230	S.RES ERJ2GEJ 334 X (330 k)	B	23.3/5.2
R237	7030005050	S.RES ERJ2GEJ 103 X (10 k)	T	21.1/39.1
R238	7410001140	S.ARY EXB28V104JX	B	40.9/9.5
R240	7030005590	S.RES ERJ2GEJ 680 X (68)	T	99.7/12.9
R241	7030010040	S.RES ERJ2GEJ-JPW [2CH] only	T	39.4/6.4
R242	7030010040	S.RES ERJ2GEJ-JPW [2CH] only	T	41.4/6.4
R251	7030008010	S.RES ERJ2GEJ 123 X (12 k)	B	5.9/9.1
R252	7030005530	S.RES ERJ2GEJ 100 X (10)	B	13.7/9.1
R254	7030008010	S.RES ERJ2GEJ 123 X (12 k)	B	9.3/10.1
R255	7030008010	S.RES ERJ2GEJ 123 X (12 k)	B	7.6/10.1
R256	7030005050	S.RES ERJ2GEJ 103 X (10 k)	T	6/8.6
R257	7030005120	S.RES ERJ2GEJ 102 X (1 k)	T	9/22.1
R258	7410001140	S.ARY EXB28V104JX	T	6.6/20.6
R259	7030005120	S.RES ERJ2GEJ 102 X (1 k)	T	21.6/22.1
R260	7030005090	S.RES ERJ2GEJ 104 X (100 k)	T	21.5/25
R261	7410001130	S.ARY EXB28V102JX	T	19.4/19.9
R262	7030005090	S.RES ERJ2GEJ 104 X (100 k)	T	21.3/13.9
R263	7030005050	S.RES ERJ2GEJ 103 X (10 k)	T	21.3/12.9
R264	7030005240	S.RES ERJ2GEJ 473 X (47 k)	T	21.3/10.9
R265	7410001130	S.ARY EXB28V102JX	T	19.7/9.2
R266	7030007340	S.RES ERJ2GEJ 153 X (15 k)	T	5.7/18.8
R271	7030005160	S.RES ERJ2GEJ 105 X (1 M)	B	10/39.3
R272	7030005160	S.RES ERJ2GEJ 105 X (1 M)	B	11/39.3
R273	7030005160	S.RES ERJ2GEJ 105 X (1 M)	B	12/39.3
R274	7030005070	S.RES ERJ2GEJ 683 X (68 k)	B	15/39.3
R275	7030005090	S.RES ERJ2GEJ 104 X (100 k)	B	13/39.3
R276	7030005090	S.RES ERJ2GEJ 104 X (100 k)	B	8/39.3
R277	7030005090	S.RES ERJ2GEJ 104 X (100 k)	B	9/39.3
R278	7030005090	S.RES ERJ2GEJ 104 X (100 k)	B	14/39.3
R280	7030005050	S.RES ERJ2GEJ 103 X (10 k)	B	16.2/36.2
R284	7030004980	S.RES ERJ2		

[MAIN UNIT] (For other than F26-L)

REF NO.	PARTS NO.	DESCRIPTION	M.	H/V LOCATION
C5	4030017360	S.CER ECJ0EC1H030B [High band]	B	94.6/30.2
	4030017570	S.CER ECJ0EC1H040B [Low band]	B	94.6/30.2
C6	4030017460	S.CER ECJ0EB1E102K	B	92.8/33.4
C7	4030017460	S.CER ECJ0EB1E102K	B	92.9/29.6
C8	4030017370	S.CER ECJ0EC1H3R5B [Low band]	B	93.2/28.1
	4030017580	S.CER ECJ0EC1H060C [High band]	B	93.2/28.1
C11	4030006980	S.CER C1608 CH 1H 070D-T [Low band]	B	91.5/21.9
	4030009530	S.CER C1608 CH 1H 030B-T [High band]	B	91.5/21.9
C13	4030007000	S.CER C1608 CH 1H 090D-T [High band]	B	88.3/20.8
	4030007020	S.CER C1608 CH 1H 120J-T [Low band]	B	88.3/20.8
C14	4030017570	S.CER ECJ0EC1H040B	B	86.8/38.7
C16	4030008560	S.CER C1608 CH 1H 300J-T	B	86.4/21.5
C17	4030017510	S.CER ECJ0EC1H680J	B	83.4/38.7
C18	4030006860	S.CER C1608 JB 1H 102K-T	T	83.6/31.4
C19	4030017460	S.CER ECJ0EB1E102K	B	86/37.7
C20	4030017590	S.CER ECJ0EC1H070C	B	84.1/37.7
C21	4030017400	S.CER ECJ0EC1H220J [High band]	B	85.8/34.3
	4030017410	S.CER ECJ0EC1H240J [Low band]	B	85.8/34.3
C22	4030017600	S.CER ECJ0EC1H080C	B	84.1/36.7
C23	4030017350	S.CER ECJ0EC1H020B [High band]	B	82/37.7
	4030017560	S.CER ECJ0EC1H2R5B [Low band]	B	82/37.7
C24	4030017400	S.CER ECJ0EC1H220J [High band]	B	79.7/33.2
	4030017410	S.CER ECJ0EC1H240J [Low band]	B	79.7/33.2
C25	4030017600	S.CER ECJ0EC1H080C	B	80.4/36.1
C27	4030017460	S.CER ECJ0EB1E102K	T	83.9/35.7
C28	4030017460	S.CER ECJ0EB1E102K	T	83.9/37.7
C30	4030017590	S.CER ECJ0EC1H070C	B	79.6/37.8
C31	4030017460	S.CER ECJ0EB1E102K	T	80.4/37.2
C32	4030017460	S.CER ECJ0EB1E102K	B	75.8/39.9
C33	4030017460	S.CER ECJ0EB1E102K	T	77.1/38.7
C34	4030017420	S.CER ECJ0EC1H470J	T	77.1/39.7
C35	4030016930	S.CER ECJ0EB1A104K	T	78.8/37.7
C36	4030017460	S.CER ECJ0EB1E102K	B	71.8/33.3
C37	4030017460	S.CER ECJ0EB1E102K	B	73.4/34.2
C38	4030017350	S.CER ECJ0EC1H020B [Low band]	B	74.8/37.7
	4030017550	S.CER ECJ0EC1H1R5B [High band]	B	74.8/37.7
C39	4030017620	S.CER ECJ0EC1H100C	B	73.5/38.8
C40	4030017520	S.CER ECJ0EC1H0R3B	B	73.5/39.8
C41	4030017380	S.CER ECJ0EC1H050B	B	68.5/39.2
C42	4030017460	S.CER ECJ0EB1E102K	T	68.5/37.7
C43	4030017460	S.CER ECJ0EB1E102K	T	70.2/38.9
C44	4030017340	S.CER ECJ0EC1H010B [Low band]	B	69/37.8
	4030017550	S.CER ECJ0EC1H1R5B [High band]	B	69/37.8
C45	4030017620	S.CER ECJ0EC1H100C [High band]	B	72.2/38.8
	4030017630	S.CER ECJ0EC1H120J [Low band]	B	72.2/38.8
C46	4030017460	S.CER ECJ0EB1E102K	T	68.2/38.9
C48	4030017400	S.CER ECJ0EC1H220J	B	64.2/37.2
C49	4030017380	S.CER ECJ0EC1H050B [Low band] only	B	64.2/39.9
C50	4030017460	S.CER ECJ0EB1E102K	B	64.2/36.1
C51	4030017460	S.CER ECJ0EB1E102K	B	66.1/32.1
C52	4030017420	S.CER ECJ0EC1H470J	B	66.1/35.7
C53	4030016790	S.CER ECJ0EB1C103K	B	64.2/33.1
C54	4030017460	S.CER ECJ0EB1E102K	B	64.2/34.1
C56	4030017400	S.CER ECJ0EC1H220J	B	64.3/23.8
C57	4030017460	S.CER ECJ0EB1E102K	T	64.1/36.8
C58	4030017460	S.CER ECJ0EB1E102K	B	53.9/24.3
C59	4030017460	S.CER ECJ0EB1E102K	B	49.5/25.2
C60	4030017460	S.CER ECJ0EB1E102K	B	52.5/26.9
C61	4030017430	S.CER ECJ0EC1H101J	B	49.5/22.7
C62	4030017680	S.CER ECJ0EC1H820J	B	47.5/17.6
C63	4030017420	S.CER ECJ0EC1H470J	B	46.5/20.7
C64	4030016790	S.CER ECJ0EB1C103K	T	49.7/16.3
C65	4030017460	S.CER ECJ0EB1E102K	B	46.5/18.9
C66	4030017460	S.CER ECJ0EB1E102K	B	47.5/13.7
C67	4030017460	S.CER ECJ0EB1E102K	B	53.4/22.6
C68	4030017440	S.CER ECJ0EC1H221J	B	51.8/13.7
C69	4030017730	S.CER ECJ0EB1E471K	B	53.8/15.4
C70	4030017730	S.CER ECJ0EB1E471K	B	54.8/13.7
C71	4030016930	S.CER ECJ0EB1A104K	B	56.2/17.5
C72	4030017420	S.CER ECJ0EC1H470J	T	69.8/18.7
C73	4030017460	S.CER ECJ0EB1E102K	T	69.3/24
C74	4030017460	S.CER ECJ0EB1E102K	T	93.3/37
C75	4550005980	S.TAN TEESVA 1A 475M8R	B	53.8/11.4
C76	4030016790	S.CER ECJ0EB1C103K	T	66.7/21.1
C77	4030017460	S.CER ECJ0EB1E102K	T	65.7/22.7
C78	4030017460	S.CER ECJ0EB1E102K	T	74.8/20.8
C79	4030018890	S.CER ECJ0EB0J224K	T	72.3/21.1
C80	4030017780	S.CER ECJ0EB1E472K	T	68/18.7
C81	4030016790	S.CER ECJ0EB1C103K	B	77.2/21.5
C82	4030017460	S.CER ECJ0EB1E102K	B	78.2/21.5
C83	4030017620	S.CER ECJ0EC1H100C [High band] only	T	81.3/22.3
C84	4030017420	S.CER ECJ0EC1H470J	T	81.3/20.5
C86	4030017420	S.CER ECJ0EC1H470J [Low band]	T	78.7/24.3
	4030017650	S.CER ECJ0EC1H270J [High band]	T	78.7/24.3
C88	4030017460	S.CER ECJ0EB1E102K	T	73.1/24
C89	4030017570	S.CER ECJ0EC1H040B [Low band] only	T	75.5/24.4
C91	4510004650	S.ELE ECEV1EA4R7SR	B	69.7/20.3
C92	4030017630	S.CER ECJ0EC1H120J	T	74.6/30.9
C93	4030017380	S.CER ECJ0EC1H050B [Low band]	T	70.9/33.5
	4030017600	S.CER ECJ0EC1H080C [High band]	T	70.9/33.5
C94	4030017730	S.CER ECJ0EB1E471K	T	70.3/24
C96	4030017460	S.CER ECJ0EB1E102K [High band] only	T	73.8/36
C97	4030017420	S.CER ECJ0EC1H470J	T	74.8/36
C98	4030017380	S.CER ECJ0EC1H050B [Low band]	T	66.1/33.9
	4030017620	S.CER ECJ0EC1H100C [High band]	T	66.1/33.9
C99	4030017460	S.CER ECJ0EB1E102K	T	68.3/36.3
C100	4030017620	S.CER ECJ0EC1H100C	B	61.3/36.1
C102	4030017380	S.CER ECJ0EC1H050B	T	59.5/34.3
C103	4030017350	S.CER ECJ0EC1H020B	B	58.2/35.1
C104	4030017460	S.CER ECJ0EB1E102K	T	58.9/29.4
C105	4030017460	S.CER ECJ0EB1E102K	B	58.6/37.1
C106	4030017420	S.CER ECJ0EC1H470J	B	70.2/33.9
C107	4030017460	S.CER ECJ0EB1E102K	T	70.6/36.3
C108	4030016790	S.CER ECJ0EB1C103K	T	69.7/36.3

[MAIN UNIT] (For other than F26-L)

REF NO.	PARTS NO.	DESCRIPTION	M.	H/V LOCATION
C109	4030017460	S.CER ECJ0EB1E102K	B	57.6/41.3
C110	4030017730	S.CER ECJ0EB1E471K	B	55.7/30.5
C111	4030017420	S.CER ECJ0EC1H470J	B	56.3/34.4
C112	4030017460	S.CER ECJ0EB1E102K	T	60.2/38.6
C113	4030017520	S.CER ECJ0EC1H0R3B	T	56.1/32.6
C114	4030017360	S.CER ECJ0EC1H030B [High band]	T	51.9/36.5
	4030017580	S.CER ECJ0EC1H060C [Low band]	T	51.9/36.5
C115	4030017570	S.CER ECJ0EC1H040B [High band]	T	55.7/35.7
	4030017630	S.CER ECJ0EC1H120J [Low band]	T	55.7/35.7
C116	4030016790	S.CER ECJ0EB1C103K	T	56.5/37.9
C117	4030017730	S.CER ECJ0EB1E471K	T	56.5/36.9
C118	4030017530	S.CER ECJ0EC1H0R5B	T	56.1/33.9
C119	4030017460	S.CER ECJ0EB1E102K	T	56.6/31.6
C120	4030017730	S.CER ECJ0EB1E471K	T	57.5/28.7
C121	4030017380	S.CER ECJ0EC1H050B [High band]	T	52.6/30
	4030017630	S.CER ECJ0EC1H120J [Low band]	T	52.6/30
C122	4030017570	S.CER ECJ0EC1H040B [High band]	T	53.1/28.6
	4030017620	S.CER ECJ0EC1H100C [Low band]	T	53.1/28.6
C123	4030017390	S.CER ECJ0EC1H180J [Low band]	T	52.6/31
	4030017640	S.CER ECJ0EC1H150J [High band]	T	52.6/31
C124	4030017580	S.CER ECJ0EC1H060C [High band]	T	51.1/29
	4030017610	S.CER ECJ0EC1H090C [Low band]	T	51.1/29
C126	4030017630	S.CER ECJ0EC1H120J	T	51.9/37.7
C127	4030017380	S.CER ECJ0EC1H050B [High band]	T	50.5/37.5
	4030017600	S.CER ECJ0EC1H080C [Low band]	T	50.5/37.5
C129	4030017530	S.CER ECJ0EC1H0R5B	T	48.4/31.4
C130	4030016950	S.CER ECJ0EB1A473K	B	49.3/39.3
C132	4030017460	S.CER ECJ0EB1E102K	B	46.9/27.1
C133	4030017630	S.CER ECJ0EC1H120J [High band]	T	51.1/31
	4030017640	S.CER ECJ0EC1H150J [Low band]	T	51.1/31
C134	4030017630	S.CER ECJ0EC1H120J [High band]	T	50.6/36.3
	4030017640	S.CER ECJ0EC1H150J [Low band]	T	50.6/36.3
C135	4030017460	S.CER ECJ0EB1E102K	T	48.4/34.4
C136	4030016930	S.CER ECJ0EB1A104K	T	48.4/35.4
C137	4030016790	S.CER ECJ0EB1C103K	T	57.7/44.1
C138	4030017460	S.CER ECJ0EB1E102K	B	49.6/28.4
C139	4030016930	S.CER ECJ0EB1A104K	B	56.7/28.9
C140	4030016930	S.CER ECJ0EB1A104K	T	43.4/34.7
C141	4030017460	S.CER ECJ0EB1E102K	B	50.1/42.4
C142	4030017460	S.CER ECJ0EB1E102K	T	42.9/21
C143	4030017460	S.CER ECJ0EB1E102K	B	52/42.3
C144	4030017420	S.CER ECJ0EC1H470J	B	49.6/29.3
C145	4030017420	S.CER ECJ0EC1H470J	B	47.1/23.9
C146	4550000270	S.TAN TEESVA 1E 474M8R	B	52.6/32.7
C147	4550000460	S.TAN TEESVA 1C 105M8R	B	47.5/41.4
C148	45500006250	S.TAN TEESVA 1A 106M8R	T	50.1/44.1
C149	4030017460	S.CER ECJ0EB1E102K	T	43.8/39.1
C150	4030018860	S.CER ECJ0EB0J105K	T	43.9/22.7
C151	4030016930	S.CER ECJ0EB1A104K	T	40.2/40.8
C152	4030017420	S.CER ECJ0EC1H470J	T	35.3/41.1
C153	4030017420	S.CER ECJ0EC1H470J	T	37.2/41.1
C154	4030017420	S.CER ECJ0EC1H470J	T	38/39.1
C155	4030017420	S.CER ECJ0EC1H470J	T	43.8/38.1
C156	4030017460	S.CER ECJ0EB1E102K	T	39.5/32
C157	4030017620	S.CER ECJ0EC1H100C	T	38.5/32
C158	4030016930	S.CER ECJ0EB1A104K	T	36.1/31.4
C159	4030017460	S.CER ECJ0EB1E102K	T	36.1/32.4
C160	4030016930	S.CER ECJ0EB1A104K	B	20.2/33.7
C161	4030017620	S.CER ECJ0EC1H100C	T	43.4/33.7
C162	4030017500	S.CER ECJ0EC1H560J	T	43.9/28.1
C163	4030017570	S.CER ECJ0EC1H040B	T	42.5/27.6
C164	4030017590	S.CER ECJ0EC1H070C	T	43.9/27.1
C165	4030016790	S.CER ECJ0EB1C103K	T	43.4/31.7
C166	4030017360	S.CER ECJ0EC1H030B	T	43.2/24.7
C167	4030016930	S.CER ECJ0EB1A104K	B	55.8/23.3
C168	4030016930	S.CER ECJ0EB1A104K	B	56.6/19.8
C169	4030016930	S.CER ECJ0EB1A104K	B	56.6/18.8
C170	4030017460	S.CER ECJ0EB1E102K	T	91.5/34.2
C171	4030017420	S.CER ECJ0EC1H470J	T	91.5/35.2
C173	4030017460	S.CER ECJ0EB1E102K	T	82.3/37.3
C175	4030017360	S.CER ECJ0EC1H030B [Low band]	B	97.1/41.5
	4030017560	S.CER ECJ0EC1H2R5B [High band]	B	97.1/41.5
C176	4030017460	S.CER ECJ0EB1E102K	T	77.7/20.4
C177	4030009910	S.CER C1608 CH 1H 040B-T	B	90.7/33.4
C177	4030017570	S.CER ECJ0EC1H040B	B	90.7/33.4
C178	4030017420	S.CER ECJ0EC1H470J	T	77.7/21.3
C179	4030006860	S.CER C1608 JB 1H 102K-T	T	86.6/31.4
C180	4030017420	S.CER ECJ0EC1H470J	T	67.1/32.3
C182	4030017590	S.CER ECJ0EC1H070C [High band]	T	68.8/31.6
	4030017600	S.CER ECJ0EC1H080C [Low band]	T	68.8/31.6
C183	4030017420	S.CER ECJ0EC1H470J	T	74.1/24
C185	4030017530	S.CER ECJ0EC1H0R5B	B	90.7/35.7
C186	4030017530	S.CER ECJ0EC1H0R5B	B	92.1/38.7
C188	4030017460	S.CER ECJ0EB1E102K	B	47.5/20.7
C196	4030017420	S.CER ECJ0EC1H470J	B	62.5/39
C197	4030017460			

[MAIN UNIT] (For other than F26-L)

REF NO.	PARTS NO.	DESCRIPTION	M.	H/V LOCATION
C230	4030016930	S.CER ECJ0EB1A104K	B	85.8/16.8
C231	4030016790	S.CER ECJ0EB1C103K	T	74/13.3
C232	4030016930	S.CER ECJ0EB1A104K	T	76.2/13.3
C232	4030017730	S.CER ECJ0EB1E471K	T	76.2/13.3
C233	4030016790	S.CER ECJ0EB1C103K	T	24.5/23
C234	4030017460	S.CER ECJ0EB1E102K	T	24.2/27.8
C235	4030016790	S.CER ECJ0EB1C103K	T	69.8/15.7
C236	4030017460	S.CER ECJ0EB1E102K	T	69.8/17.7
C237	4510005430	S.ELE ECEV0JA220SR	B	76/15.5
C238	4030017460	S.CER ECJ0EB1E102K	B	77/18.4
C241	4030016930	S.CER ECJ0EB1A104K	T	35.4/9.9
C242	4030016930	S.CER ECJ0EB1A104K	T	44.7/9.9
C243	4030016790	S.CER ECJ0EB1C103K	T	40.5/9.9
C244	4030016930	S.CER ECJ0EB1A104K	B	46.5/15.4
C251	4030016970	S.CER ECJ0EB1C223K	T	33.4/17.1
C252	4030017740	S.CER ECJ0EB1E821K	T	29.9/16.1
C253	4030017740	S.CER ECJ0EB1E821K	T	33.4/14.9
C254	4030016930	S.CER ECJ0EB1A104K	T	33.4/10.9
C255	4030016950	S.CER ECJ0EB1A473K	B	34.5/12.1
C256	4030016940	S.CER ECJ0EB1A393K	T	29.9/28.1
C257	4030016930	S.CER ECJ0EB1A104K	T	29.9/30.1
C258	4030017790	S.CER ECJ0EB1E682K	T	26.6/30.1
C259	4030018860	S.CER ECJ0EB0J105K	T	31.5/41.1
C260	4030017730	S.CER ECJ0EB1E471K	T	29.8/39.1
C261	4030016930	S.CER ECJ0EB1A104K	T	31.5/40.1
C264	4510004630	S.ELE ECEV1CA100SR	B	69.7/15.5
C265	4030017460	S.CER ECJ0EB1E102K	B	64.4/12.3
C266	4030016930	S.CER ECJ0EB1A104K	B	63/8.5
C269	4030017720	S.CER ECJ0EB1H331K	T	11.6/37.9
C270	4030016950	S.CER ECJ0EB1A473K	T	14.1/28.8
C271	4030016950	S.CER ECJ0EB1A473K	T	14.1/26.8
C272	4030016950	S.CER ECJ0EB1A473K	T	10.6/28.5
C273	4030016950	S.CER ECJ0EB1A473K	T	14.1/27.8
C274	4030016950	S.CER ECJ0EB1A473K	T	11.6/31.9
C275	4030016970	S.CER ECJ0EB1C223K	T	11.6/34.4
C276	4030016950	S.CER ECJ0EB1A473K	T	12.6/34.4
C277	4030016930	S.CER ECJ0EB1A104K	T	14.6/40.1
C278	4030017430	S.CER ECJ0EC1H101J	T	18/40.1
C279	4030018910	S.CER C1608 JB OJ 475K-T	T	36.9/23.2
C280	4030017780	S.CER ECJ0EB1E472K	T	21.3/27.8
C281	4030018920	S.CER ECJ0EB1H392K	T	17.7/26.8
C282	4030017710	S.CER ECJ0EC1H181J	T	17.7/29.8
C283	4030018900	S.CER ECJ0EB0J474K	T	19.4/31.7
C284	4030016930	S.CER ECJ0EB1A104K	T	22.9/39.1
C285	4030016930	S.CER ECJ0EB1A104K	T	22.9/40.1
C286	4030017460	S.CER ECJ0EB1E102K	B	16.7/40.4
C287	4550006250	S.TAN TEESVA 1A 106M8R	B	21.8/40.7
C288	4030017460	S.CER ECJ0EB1E102K	B	17.2/38.1
C289	4030016930	S.CER ECJ0EB1A104K	B	20.2/31
C290	4030016930	S.CER ECJ0EB1A104K	T	27.5/16.2
C291	4030016780	S.CER ECJ0EB1C153K	T	25.7/10.9
C292	4030016930	S.CER ECJ0EB1A104K	T	25.7/13.9
C293	4030017740	S.CER ECJ0EB1E821K	T	25.7/11.9
C295	4030018110	S.CER ECJ0EB1H272K	T	29.1/5.1
C296	4030018240	S.CER ECJ0EB1E562K	T	29.1/6.1
C297	4030017710	S.CER ECJ0EC1H181J	T	27.1/7.1
C298	4030018090	S.CER ECJ0EB1C822K	T	31/7.1
C299	4030017510	S.CER ECJ0EC1H680J	T	31/5.1
C300	4030017450	S.CER ECJ0EB1E271K	B	19.8/38.2
C302	4030017620	S.CER ECJ0EC1H100C	T	66/39.3
C303	4030017460	S.CER ECJ0EB1E102K	T	65/39.3
C304	4030017580	S.CER ECJ0EC1H060C	B	68.5/40.2
C305	4030017580	S.CER ECJ0EC1H060C	B	64.2/40.8
C306	4030017460	S.CER ECJ0EB1E102K	B	61/12.3
C307	4030017460	S.CER ECJ0EB1E102K	B	59.3/12.3
C308	4030017460	S.CER ECJ0EB1E102K	T	75.7/9.8
C309	4030017460	S.CER ECJ0EB1E102K	B	75.5/11.3
C310	4030016930	S.CER ECJ0EB1A104K	T	21.3/11.9
C311	4030017460	S.CER ECJ0EB1E102K	B	64.9/8.5
C312	4030017420	S.CER ECJ0EC1H470J	B	75/6.1
C313	4030017420	S.CER ECJ0EC1H470J	B	32.9/7.1
C314	4030017460	S.CER ECJ0EB1E102K	T	86.6/3.3
C315	4030017460	S.CER ECJ0EB1E102K	T	93.2/6
C316	4030016930	S.CER ECJ0EB1A104K	T	91.7/2.8
C317	4510004630	S.ELE ECEV1CA100SR	B	95.9/15.2
C318	4030016930	S.CER ECJ0EB1A104K	T	89.7/8.9
C319	4030016930	S.CER ECJ0EB1A104K	T	89.6/2.8
C320	4030017730	S.CER ECJ0EB1E471K	T	88.6/2.8
C321	4030017460	S.CER ECJ0EB1E102K	B	19.3/4.2
C322	4030016950	S.CER ECJ0EB1A473K	T	93.9/13.9
C323	4030016950	S.CER ECJ0EB1A473K	T	87.6/9.7
C324	4030017420	S.CER ECJ0EC1H470J	T	85/13.7
C325	4550006250	S.TAN TEESVA 1A 106M8R	T	90.6/17.2
C326	4510008900	S.ELE EEEFC0J101P	B	87.8/8.9
C333	4030017420	S.CER ECJ0EC1H470J	B	76.8/39.9
C335	4030018860	S.CER ECJ0EB0J105K	B	54.6/22.6
C339	4030016930	S.CER ECJ0EB1A104K	B	5.9/17.2
C340	4030016930	S.CER ECJ0EB1A104K	B	9.3/12.5
C341	4030016930	S.CER ECJ0EB1A104K	B	5.9/10.1
C342	4030017630	S.CER ECJ0EC1H120J	B	18.3/4.2
C343	4030017580	S.CER ECJ0EC1H060C	B	5.6/4.2
C344	4030017640	S.CER ECJ0EC1H150J	B	7.6/9.1
C345	4030016930	S.CER ECJ0EB1A104K	B	11/11.2
C346	4030016930	S.CER ECJ0EB1A104K	B	11/10.1
C347	4030016790	S.CER ECJ0EB1C103K	T	8.8/6.5
C348	4030016930	S.CER ECJ0EB1A104K	T	6/10
C349	4030016930	S.CER ECJ0EB1A104K	T	21.3/14.9
C350	4030017460	S.CER ECJ0EB1E102K	T	59.4/43.4
C354	4030017460	S.CER ECJ0EB1E102K	T	14.2/24.4
C355	4030018080	S.CER ECJ0EB1H182K	T	42.9/22.7
C356	4030018910	S.CER C1608 JB OJ 475K-T	T	34.6/20.6
C357	4030017400	S.CER ECJ0EC1H220J [Low band]	T	79/25.5

[MAIN UNIT] (For other than F26-L)

REF NO.	PARTS NO.	DESCRIPTION	M.	H/V LOCATION
J1	6510021901	S.CNR BM02B-ASRS-TF (LF) (SN)	T	86.6/6.8
J2	6450001680	CNR HSJ1122-010010		
J3	6450002250	CNR HSJ1456-010320		
J4	6510018430	S.CNR AXN330C038P	B	11.8/30.6
J5	6510021901	S.CNR BM02B-ASRS-TF (LF) (SN)	T	50.4/11.7
F1	5210000830	S.FUS ERBFE3R00U	T	98/14.5
DS1	5040002670	S.LED CL-165HR/YG	T	102.8/12.4
MC1	7700002750	MIC EM9745P-38-G <HOR>		
S1	2260002840	SW SKHLLFA010		
S2	2260002800	S.SW SW-167 (SKQTLAE010)	B	99.4/44.2
S3	2260002800	S.SW SW-167 (SKQTLAE010)	B	60.9/44.2
S4	2250000490	ECR TP70TF5163-15.9F-2775 [16CH] only		
EP1	6910015370	S.BEA ACZ1005Y-102-T	T	57/29.9
EP3	6910015370	S.BEA ACZ1005Y-102-T	T	34.7/32

M.=Mounted side (T: Mounted on the Top side, B: Mounted on the Bottom side)  
S.=Surface mount



[MAIN-B UNIT] (For IC-F26-L)

REF NO.	PARTS NO.	DESCRIPTION	M.	H/V LOCATION
IC1	1110003201	S.IC TA31136FNG (EL)	B	51.8/19
IC2	1130008561	S.IC TC75S51F (TE85L,F)	T	68.9/21
IC4	1140005991	S.IC MB15A02PFV1-G-BND-ERE1	T	38.3/35.7
IC5	1110005340	S.IC NJM12902V-TE1-#ZZZB	T	29.7/11.6
IC6	1110005320	S.IC NJM13403V-TE1-#ZZZB	T	15.9/34.6
IC7	1110005330	S.IC NJM12904V-TE1-#ZZZB	T	29.2/34.6
IC8	1190000350	S.IC M62363FP-650C	T	40.3/15.2
IC9	1110005350	S.IC NJM2870F05-TE1-#FZZB	B	84.2/14.2
IC10	1130011770	S.IC CD4066BPWR	T	22.9/34.6
IC12	1110001811	S.IC TA7368FG (5,ER)	T	89.3/13.2
IC13	1140012720	S.IC HD6433687A91FPV (FX2775A)	T	12.5/14.3
IC14	1110006260	S.IC BD5242G-TR	T	6.6/5.9
IC15	1130011540	S.IC BR24L16FV-WE2	B	16/11.6
Q1	1560000841	S.FET 2SK1829 (TE85R,F)	T	75/39.6
Q2	1580000731	S.FET 3SK293 (TE85L,F)	B	76.8/37.9
Q3	1580000760	S.FET 3SK299-T1 U73	B	66.2/37.9
Q4	1530002601	S.STR 2SC4215-O (TE85R,F)	B	51.4/23.1
Q5	1530000371	S.STR 2SC3356-T1B S (R25)	T	74.3/33.5
Q6	1590003230	S.STR UNR9113J-(TX)	T	72.5/19.1
Q7	1560001231	S.FET RD07MVS1-T112	T	82.6/27
Q8	1560001241	S.FET RD01MUS1-T113	T	76.1/27.5
Q9	1530003311	S.STR 2SC5107-O (TE85R,F)	T	67/30.3
Q10	1530003311	S.STR 2SC5107-O (TE85R,F)	T	59.4/36.3
Q11	1530003311	S.STR 2SC5107-O (TE85R,F)	B	56.3/37
Q12	1530003311	S.STR 2SC5107-O (TE85R,F)	T	59/31.5
Q13	1530002920	S.STR 2SC4226-T1 R25	T	54.9/30.7
Q14	1530002920	S.STR 2SC4226-T1 R25	T	54.2/37.1
Q15	1590001400	S.STR XP1214 (TX)	B	56.5/32.6
Q16	1590003290	S.STR UNR9213J-(TX)	B	59.1/32.6
Q17	1530002851	S.STR 2SC4116-BL (TE85R,F)	T	55.5/44.1
Q18	1560000541	S.FET 2SK880-Y (T5RICOM,F)	B	51.5/40.4
Q19	1530002851	S.STR 2SC4116-BL (TE85R,F)	T	43.3/29.9
Q21	1510000920	S.STR 2SA1577 T106 Q	T	71.9/16.4
Q22	1510000920	S.STR 2SA1577 T106 Q	T	24.9/25.9
Q23	1520000460	S.STR 2SB1132 T100 R	T	81/15.2
Q24	1590001190	S.STR XP6501-(TX).AB	T	76.3/15.1
Q25	1590003230	S.STR UNR9113J-(TX)	T	75.7/11.7
Q26	1590003290	S.STR UNR9213J-(TX)	T	49.7/18.4
Q27	1590003290	S.STR UNR9213J-(TX)	T	24.8/16.7
Q28	1590003430	S.STR UNR911HJ-(TX)	B	63.1/10.6
Q29	1590003270	S.STR UNR9210J-(TX)	B	35.7/9.2
Q30	1510001080	S.STR 2SA2048 TLR	T	91.9/8.6
Q31	1590001190	S.STR XP6501-(TX).AB	T	91.4/5.2
Q32	1590003020	S.STR XP4216-(TX)	T	16.5/23.1
Q33	1590003230	S.STR UNR9113J-(TX)	T	19.9/22.5
Q34	1560001360	S.FET 2SK3019 TL	T	10.7/30.1
Q35	1560001360	S.FET 2SK3019 TL	T	9.1/26.6
D1	1750001080	S.DIO RB886G T2R	B	90.2/38.7
D2	1750000581	S.DIO 1SV307 (TPH3,F)	B	91.5/31.1
D3	1750000711	S.VCP HVC350BTRF-E	B	87.5/33.5
D4	1750000711	S.VCP HVC350BTRF-E	B	87.5/34.8
D5	1790001260	S.DIO MA25077-(TX)	B	87.4/36.7
D6	1790001240	S.DIO MA25728-(TX)	B	85/39.9
D7	1750000711	S.VCP HVC350BTRF-E	B	81.8/33.5
D8	1750000711	S.VCP HVC350BTRF-E	B	81.8/34.8
D9	1750000711	S.VCP HVC350BTRF-E	B	73.6/35.9
D10	1750000711	S.VCP HVC350BTRF-E	B	72.2/35.9
D14	1790001260	S.DIO MA25077-(TX)	T	65.8/35.3
D15	1790001260	S.DIO MA25077-(TX)	T	65.8/36.7
D16	1750000771	S.VCP HVC376BTRF-E	T	52.6/38.9
D17	1750000771	S.VCP HVC376BTRF-E	T	49.4/28.3
D18	1720000570	S.VCP MA368 (TX)	B	49.6/26.9
D21	1750000831	S.VCP HVC362TRF-E	T	50.5/33.7
D22	1750000831	S.VCP HVC362TRF-E	T	50.5/35.2
D24	1790001250	S.DIO MA25111-(TX)	T	41.5/39.2
D25	1790001250	S.DIO MA25111-(TX)	T	70.5/40.4
D26	1790001790	S.DIO RB876W TL	B	35.7/7.1
D27	1750000520	S.DIO DAN222TL	B	21.3/6
D28	1790001260	S.DIO MA25077-(TX)	B	8.5/11.2
D29	1750000940	S.DIO ISS400 TE61	B	23.1/4
D30	1750001080	S.DIO RB886G T2R	T	88.5/36.2
F11	2030000150	S.MLH FL-335 (46.350 MHz)	B	62.8/27.1
F12	2020001840	CER ALFYM450F=K		
F13	2040001440	S.LC NFE31PT152Z1E9L	B	81.2/17.8
X1	6070000191	S.DCR CDBKB450KAY24-R0	T	54.4/20
X2	6050011940	S.XTL CR-783 (15.3 MHz)	T	36.9/28.9
X3	6050011720	S.XTL CR-764 (19.6608 MHz)	B	12/5.9
L1	6200008700	S.COL 0.30-0.9-6TR 17.5N [EXP-01]	B	94.7/36.4
	6200012490	S.COL 0.30-0.9-6TR 13.6N <COMO> [CHN-01]	B	94.7/36.4
L2	6200013010	S.COL 0.30-0.9-5TL 10.3N <COMO>	B	94.8/31.9
L3	6200012610	S.COL 0.40-0.9-2TL 2.8N <COMO>	B	92.9/26.3
L4	6200012610	S.COL 0.40-0.9-2TL 2.8N <COMO>	B	89.9/20.6
L5	6200010850	S.COL LQW18AN22NG00D	B	89.1/36.5
L7	6200007710	S.COL LQW2BHN27NJ03L	B	84.3/34.5
L8	6200007710	S.COL LQW2BHN27NJ03L	B	78.9/35.3
L9	6200007230	S.COL LQW2BHN15NJ03L	B	75.9/35.2
L10	6200007690	S.COL LQW2BHN18NJ03L	B	70.6/37.8
L11	6200005731	S.COL ELJRE 39NGFA	B	64.2/39
L12	6200003350	S.COL ELJNC R27K-F	B	66.8/33.9
L13	6200002851	S.COL NLV25T-FR82J	T	93.8/31.8
L17	6200012980	S.COL 0.40-1.4-5TR 18.3N <COMO>	B	81.2/20.9
L19	6200005681	S.COL ELJRE 15NGFA	T	76/35.5
L20	6200005691	S.COL ELJRE 18NGFA	T	68.8/33.1

[MAIN-B UNIT] (For IC-F26-L)

REF NO.	PARTS NO.	DESCRIPTION	M.	H/V LOCATION
L21	6200007881	S.COL ELJRF 33NJFB	T	59.2/38.6
L22	6200007901	S.COL ELJRF 22NJFB	T	59.5/33.3
L23	6200002851	S.COL NLV25T-FR82J	T	55.2/28.1
L25	6200012390	S.COL 0.30-0.92-3TR 5.8N <COMO>	T	49.5/29.9
L26	6200012970	S.COL 0.30-0.91-4TR 8.6N <COMO>	T	49/37.9
L27	6200004951	S.COL NLV25T-1R8J	B	52.8/29
L28	6200004951	S.COL NLV25T-1R8J	B	52/36.6
L29	6200004660	S.COL MLF1608A 1R8K-T	T	43.9/36.4
L30	6200007881	S.COL ELJRF 33NJFB	B	85.1/38.7
L32	6200007911	S.COL ELJRF 18NJFB	B	55.9/42.3
L33	6200004480	S.COL MLF1608D R82K-T	T	43.4/25.9
L35	6200003540	S.COL MLF1608D R22K-T	T	41.7/31.8
L38	6200005711	S.COL ELJRE 27NGFA	B	65.6/40.7
L40	6200002851	S.COL NLV25T-FR82J	T	53.6/34.6
L41	6200011001	S.COL ELJRF 56NJFB	B	58.4/38.2
L42	6200004951	S.COL NLV25T-1R8J	B	49.4/34
L43	6200004951	S.COL NLV25T-1R8J	B	49.4/31.1
L45	6200012490	S.COL 0.30-0.9-6TR 13.6N <COMO>	B	94.9/39.6
R1	7030003490	S.RES ERJ3GEYJ 272 V (2.7 k)	B	91.8/39.9
R2	7030005120	S.RES ERJ2GEJ 102 X (1 k)	B	92.1/37.7
R3	7030004970	S.RES ERJ2GEJ 470 X (47)	T	66.7/22.7
R4	7030005050	S.RES ERJ2GEJ 103 X (10 k)	T	75.8/20.8
R5	7030005050	S.RES ERJ2GEJ 103 X (10 k)	T	73.3/21.1
R6	7030005090	S.RES ERJ2GEJ 104 X (100 k)	T	66.7/18.2
R7	7030005310	S.RES ERJ2GEJ 124 X (120 k)	T	68/17.7
R8	7030005170	S.RES ERJ2GEJ 474 X (470 k)	T	71.3/21.1
R9	7030008280	S.RES ERJ2GEJ 271 X (270)	T	71.3/22.4
R10	7030005120	S.RES ERJ2GEJ 102 X (1 k)	T	68.4/24
R11	7030005090	S.RES ERJ2GEJ 104 X (100 k)	T	85.5/36.7
R12	7030005530	S.RES ERJ2GEJ 100 X (10)	T	77.5/37.5
R13	7030005090	S.RES ERJ2GEJ 104 X (100 k)	T	82.3/35.7
R14	7030005050	S.RES ERJ2GEJ 103 X (10 k)	T	83.9/36.7
R15	7030005240	S.RES ERJ2GEJ 473 X (47 k)	B	79.1/39
R16	7030004980	S.RES ERJ2GEJ 101 X (100)	B	74.8/39.9
R17	7030004970	S.RES ERJ2GEJ 470 X (47)	B	74/33.3
R18	7030005050	S.RES ERJ2GEJ 103 X (10 k)	T	78.8/36.7
R19	7030005080	S.RES ERJ2GEJ 823 X (82 k)	T	78.8/38.7
R20	7030005120	S.RES ERJ2GEJ 102 X (1 k)	B	75.9/33.6
R21	7030005110	S.RES ERJ2GEJ 224 X (220 k)	T	72.2/38.9
R22	7030005050	S.RES ERJ2GEJ 103 X (10 k)	T	69.2/38.9
R23	7030005110	S.RES ERJ2GEJ 224 X (220 k)	T	71.2/38.9
R24	7030005050	S.RES ERJ2GEJ 103 X (10 k)	T	64.6/38
R25	7030005040	S.RES ERJ2GEJ 472 X (4.7 k)	B	68/37.8
R29	7030007270	S.RES ERJ2GEJ 151 X (150)	B	64.2/35.1
R30	7030005120	S.RES ERJ2GEJ 102 X (1 k)	B	67.7/35.7
R31	7030004980	S.RES ERJ2GEJ 101 X (100)	B	64.2/32.1
R32	7030004980	S.RES ERJ2GEJ 101 X (100)	B	66.1/31.1
R33	7030007270	S.RES ERJ2GEJ 151 X (150)	B	55.5/25.2
R34	7030005110	S.RES ERJ2GEJ 224 X (220 k)	B	52.5/25.2
R35	7030004980	S.RES ERJ2GEJ 101 X (100)	B	50.5/25.2
R36	7030007300	S.RES ERJ2GEJ 332 X (3.3 k)	T	52.5/15.5
R37	7030009140	S.RES ERJ2GEJ 272 X (2.7 k)	T	50.7/16.3
R38	7030005090	S.RES ERJ2GEJ 104 X (100 k)	T	46.5/21
R39	7030004970	S.RES ERJ2GEJ 470 X (47)	B	55.8/22.3
R40	7030007270	S.RES ERJ2GEJ 151 X (150)	B	56.2/21.1
R43	7030004970	S.RES ERJ2GEJ 470 X (47)	B	47.5/15.4
R44	7030005090	S.RES ERJ2GEJ 104 X (100 k)	B	54.8/15.4
R45	7030005090	S.RES ERJ2GEJ 104 X (100 k)	B	52.8/13.7
R46	7030005000	S.RES ERJ2GEJ 471 X (470)	B	53.8/13.7
R48	7030005000	S.RES ERJ2GEJ 471 X (470)	B	51.5/25.2
R50	7030004980	S.RES ERJ2GEJ 101 X (100)	T	66.3/38
R51	7030003670	S.RES ERJ3GEYJ 823 V (82 k)	B	96.5/37.3
R52	7030004990	S.RES ERJ2GEJ 221 X (220)	T	93.3/35.9
R53	7030005530	S.RES ERJ2GEJ 100 X (10)	T	80/22.5
R54	7030005060	S.RES ERJ2GEJ 333 X (33 k)	T	81.3/21.4
R55	7030005040	S.RES ERJ2GEJ 472 X (4.7 k)	T	80/20.9
R56	7030003860	S.RES ERJ3GE JPW V	T	78/22.4
R57	7030004970	S.RES ERJ2GEJ 470 X (47)	T	75.2/23.2
R59	7030005040	S.RES ERJ2GEJ 472 X (4.7 k)	T	71.2/24
R61	7030004970	S.RES ERJ2GEJ 470 X (47)	T	71.8/36.3
R62	7030005220	S.RES ERJ2GEJ 223 X (22 k)	T	72.1/35
R65	7030004980	S.RES ERJ2GEJ 101 X (100)	T	69.4/34.2
R66	7030007340	S.RES ERJ2GEJ 153 X (15 k)	T	67.8/34.2
R67	7030004980	S.RES ERJ2GEJ 101 X (100)	T	67.8/35.1
R68	7030005050	S.RES ERJ2GEJ 103 X (10 k)	T	69.4/35.1
R69	7030005040	S.RES ERJ2GEJ 472 X (4.7 k)	T	64.1/35.2
R70	7030005530	S.RES ERJ2GEJ 100 X (10)	B	57.6/40.3
R71	7030005070	S.RES ERJ2GEJ 683 X (68 k)	T	58.2/38.6
R73	7030004980	S.RES ERJ2GEJ 101 X (100)	B	57.7/30.5
R75	7030005110	S.RES ERJ2GEJ 224 X (220 k)	B	58.4/36.1
R76	7030004980	S.RES ERJ2GEJ 101 X (100)	B	57.6/39.3
R77	7030005050	S.RES ERJ2GEJ 103 X (10 k)	B	56.7/30.5
R78	7030005090	S.RES ERJ2GEJ 104 X (100 k)	T	57.8/33.3
R79	7030006020	S.RES RR0510P-682-D (6.8 k)	T	56.5/39.1
R80	7030005000	S.RES ERJ2GEJ 471 X (470)	B	54.6/32.8
R82	7030009320	S.RES ERJ2GEJ 477 X (4.7 k)	T	52.6/32
R83	7030006020	S.RES RR0510P-682-D (6.8 k)	T	54.1/32.6
R84	7030006020	S.RES RR0510P-682-D (6.8 k)	T	52.1/28.6
R85	7030006020	S.RES RR0510P-682-D (6.8 k)	T	54.7/39.1
R86	7030005530	S.RES ERJ2GEJ 100 X (10)	B	48.2/28.8
R87	7030005110	S.RES ERJ2GEJ 224 X (220 k)	B	48.1/25.3
R88	7030009280	S.RES ERJ2GEJ 391 X	B	54.6/31
R89	7030005050	S.RES ERJ2GEJ 103 X (10 k)	B	49.3/41.2
R90	7030005170	S.RES ERJ2GEJ 474 X (470 k)	B	46.9/25.1
R92	7030005310	S.RES ERJ2GEJ 124 X (120 k)	B	46.9



[MAIN-B UNIT] (For IC-F26-L)

REF NO.	PARTS NO.	DESCRIPTION	M.	H/V LOCATION
R101	7030005000	S.RES ERJ2GEJ 471 X (470)	B	51.4/43.3
R103	7030005240	S.RES ERJ2GEJ 473 X (47 k)	T	33.1/27.8
R104	7030005230	S.RES ERJ2GEJ 334 X (330 k)	T	31.5/26.9
R105	7030005170	S.RES ERJ2GEJ 474 X (470 k)	T	32.6/29.1
R106	7030005050	S.RES ERJ2GEJ 103 X (10 k)	T	37.5/32
R107	7030005580	S.RES ERJ2GEJ 560 X (56)	B	55.9/43.3
R108	7030005060	S.RES ERJ2GEJ 333 X (33 k)	T	44.9/21
R109	7030005100	S.RES ERJ2GEJ 154 X (150 k)	T	43.9/21
R110	7030005240	S.RES ERJ2GEJ 473 X (47 k)	B	21.8/34.3
R111	7030005090	S.RES ERJ2GEJ 104 X (100 k)	T	27.1/28.7
R113	7030006610	S.RES ERJ2GEJ 394 X (390 k)	B	46.9/31.1
R114	7030005110	S.RES ERJ2GEJ 224 X (220 k)	B	46.9/29.1
R115	7030007570	S.RES ERJ2GEJ 122 X (1.2 k)	T	40.5/32
R116	7030007060	S.RES ERJ2GEJ 684X (680 k)	T	43.4/32.7
R117	7030005040	S.RES ERJ2GEJ 472 X (4.7 k)	T	35.3/40.1
R118	7030005040	S.RES ERJ2GEJ 472 X (4.7 k)	T	37.2/40.1
R123	7030008400	S.RES ERJ2GEJ 182 X (1.8 k)	T	75.2/37.7
R124	7030005170	S.RES ERJ2GEJ 474 X (470 k)	T	72.7/40.4
R125	7030005110	S.RES ERJ2GEJ 224 X (220 k)	T	73.2/38.9
R131	7510001730	S.TMR ERJ2JOEP 473J	T	40.9/28.7
R132	7030010080	S.RES ERJ2RHD 104 X (100 k)	T	40.9/27.1
R133	7030005050	S.RES ERJ2GEJ 103 X (10 k)	T	84.1/14.2
R134	7030007290	S.RES ERJ2GEJ 222 X (2.2 k)	T	74/14.3
R135	7030005050	S.RES ERJ2GEJ 103 X (10 k)	T	24.5/24
R136	7030005040	S.RES ERJ2GEJ 472 X (4.7 k)	T	22.8/22
R137	7030005050	S.RES ERJ2GEJ 103 X (10 k)	T	69.8/14.7
R138	7030005040	S.RES ERJ2GEJ 472 X (4.7 k)	T	69.8/16.7
R141	7030005000	S.RES ERJ2GEJ 471 X (470)	T	37/9.9
R142	7030005000	S.RES ERJ2GEJ 471 X (470)	T	43/9.9
R143	7030007340	S.RES ERJ2GEJ 153 X (15 k)	T	37.2/24.4
R144	7030005050	S.RES ERJ2GEJ 103 X (10 k)	B	46.5/13.7
R145	7030005090	S.RES ERJ2GEJ 104 X (100 k)	T	33.4/18.1
R146	7030005090	S.RES ERJ2GEJ 104 X (100 k)	T	31.6/18.1
R147	7030007350	S.RES ERJ2GEJ 393 X (39 k)	T	33.4/16.1
R148	7030005080	S.RES ERJ2GEJ 823 X (82 k)	T	31.6/16.1
R149	7030006610	S.RES ERJ2GEJ 394 X (390 k)	T	33.4/12.9
R150	7030008300	S.RES ERJ2GEJ 184 X (180 k)	T	33.4/11.9
R151	7030005030	S.RES ERJ2GEJ 152 X (1.5 k)	T	33.4/13.9
R152	7030005220	S.RES ERJ2GEJ 223 X (22 k)	T	31.1/29.6
R153	7030005220	S.RES ERJ2GEJ 223 X (22 k)	T	29.9/29.1
R154	7030005220	S.RES ERJ2GEJ 223 X (22 k)	T	28.2/30.1
R155	7030005090	S.RES ERJ2GEJ 104 X (100 k)	T	29.8/41.1
R156	7030005170	S.RES ERJ2GEJ 474 X (470 k)	T	29.8/40.1
R157	7030007290	S.RES ERJ2GEJ 222 X (2.2 k)	T	31.5/39.1
R159	7030008010	S.RES ERJ2GEJ 123 X (12 k)	T	15.7/28.8
R160	7030004980	S.RES ERJ2GEJ 101 X (100)	B	5.5/31
R161	7030005040	S.RES ERJ2GEJ 472 X (4.7 k)	T	12.9/27.3
R162	7030005050	S.RES ERJ2GEJ 103 X (10 k)	T	8.7/29.1
R163	7030005050	S.RES ERJ2GEJ 103 X (10 k)	T	14.1/29.8
R164	7030008410	S.RES ERJ2GEJ 392 X (3.9 k)	T	15.7/27.8
R165	7030008410	S.RES ERJ2GEJ 392 X (3.9 k)	T	12.6/31.9
R166	7030005240	S.RES ERJ2GEJ 473 X (47 k)	T	12.6/36.1
R167	7030009290	S.RES ERJ2GEJ 562 X (5.6 k)	T	15.7/29.8
R168	7030005000	S.RES ERJ2GEJ 471 X (470)	T	16.3/40.1
R169	7030005100	S.RES ERJ2GEJ 154 X (150 k)	T	18/41.1
R170	7030008010	S.RES ERJ2GEJ 123 X (12 k)	T	12.9/29.3
R171	7030005100	S.RES ERJ2GEJ 154 X (150 k)	T	11.6/36.1
R172	7030005110	S.RES ERJ2GEJ 224 X (220 k)	T	18/39.1
R173	7030005310	S.RES ERJ2GEJ 124 X (120 k)	T	19.4/26.8
R174	7030005090	S.RES ERJ2GEJ 104 X (100 k)	T	19.4/28.8
R175	7030008300	S.RES ERJ2GEJ 184 X (180 k)	T	19.4/27.8
R176	7030005100	S.RES ERJ2GEJ 154 X (150 k)	T	17.7/27.8
R177	7030005060	S.RES ERJ2GEJ 333 X (33 k)	T	17.7/28.8
R178	7030005710	S.RES ERJ2GEJ 121 X (120)	T	19.4/30.7
R179	7030005120	S.RES ERJ2GEJ 102 X (1 k)	B	11.5/16.8
R180	7030005160	S.RES ERJ2GEJ 105 X (1 M)	T	24.7/40.1
R181	7030005240	S.RES ERJ2GEJ 473 X (47 k)	T	21.1/40.1
R182	7030005090	S.RES ERJ2GEJ 104 X (100 k)	T	24.7/39.1
R183	7030006020	S.RES RR0510P-682-D (6.8 k)	B	17.2/39.1
R184	7030008250	S.RES RR0510P-562-D (5.6 k)	B	17.7/40.4
R186	7030005080	S.RES ERJ2GEJ 823 X (82 k)	T	19.4/29.8
R187	7030005120	S.RES ERJ2GEJ 102 X (1 k)	B	9/18.2
R190	7030007280	S.RES ERJ2GEJ 331 X (330)	T	34.7/18.9
R191	7030008300	S.RES ERJ2GEJ 184 X (180 k)	T	18/4.1
R192	7030005720	S.RES ERJ2GEJ 563 X (56 k)	T	18/5.1
R193	7030005220	S.RES ERJ2GEJ 223 X (22 k)	T	18/6.1
R194	7030005220	S.RES ERJ2GEJ 223 X (22 k)	T	23.9/10.9
R195	7030005050	S.RES ERJ2GEJ 103 X (10 k)	T	19.7/4.1
R196	7030005240	S.RES ERJ2GEJ 473 X (47 k)	T	23.9/11.9
R197	7030005240	S.RES ERJ2GEJ 473 X (47 k)	T	23.9/12.9
R198	7030005240	S.RES ERJ2GEJ 473 X (47 k)	T	25.7/12.9
R200	7030005040	S.RES ERJ2GEJ 472 X (4.7 k)	T	25.7/14.9
R201	7030005240	S.RES ERJ2GEJ 473 X (47 k)	T	23.9/14.9
R206	7030005110	S.RES ERJ2GEJ 224 X (220 k)	T	13.4/4.1
R207	7030005090	S.RES ERJ2GEJ 104 X (100 k)	T	13.4/5.1
R208	7030005240	S.RES ERJ2GEJ 473 X (47 k)	T	15.6/5.1
R209	7030005220	S.RES ERJ2GEJ 223 X (22 k)	T	15.6/6.1
R210	7030008010	S.RES ERJ2GEJ 123 X (12 k)	T	15.6/4.1
R211	7030005070	S.RES ERJ2GEJ 683 X (68 k)	T	27.1/4.1
R212	7030005070	S.RES ERJ2GEJ 683 X (68 k)	T	27.1/5.1
R213	7030005070	S.RES ERJ2GEJ 683 X (68 k)	T	27.1/6.1
R214	7030005070	S.RES ERJ2GEJ 683 X (68 k)	T	29.1/7.1
R215	7030005070	S.RES ERJ2GEJ 683 X (68 k)	T	31/6.1
R220	7030004980	S.RES ERJ2GEJ 101 X (100)	B	15.9/23.3
R221	7030005000	S.RES ERJ2GEJ 471 X (470)	B	66.5/13.7
R222	7030005080	S.RES ERJ2GEJ 823 X (82 k)	B	63.9/8.5
R223	7030005060	S.RES ERJ2GEJ 333 X (33 k)	B	61/11.3
R224	7030005000	S.RES ERJ2GEJ 471 X (470)	B	75.5/10.3
R225	7030004980	S.RES ERJ2GEJ 101 X (100)	B	33.9/7.1
R226	7210003061	VAR TP76N00N-15F-A103-2251A		
R227	7030005050	S.RES ERJ2GEJ 103 X (10 k)	T	94.9/13.9
R228	7030005120	S.RES ERJ2GEJ 102 X (1 k)	T	94.2/15.2
R229	7030005530	S.RES ERJ2GEJ 100 X (10)	T	86/9.7
R230	7030005530	S.RES ERJ2GEJ 100 X (10)	T	87.2/17.2

[MAIN-B UNIT] (For IC-F26-L)

REF NO.	PARTS NO.	DESCRIPTION	M.	H/V LOCATION
R231	7030005120	S.RES ERJ2GEJ 102 X (1 k)	T	90.6/2.8
R232	7030007300	S.RES ERJ2GEJ 332 X (3.3 k)	T	93.2/4.4
R233	7030007300	S.RES ERJ2GEJ 332 X (3.3 k)	T	92.7/2.8
R234	7030005100	S.RES ERJ2GEJ 154 X (150 k)	B	23.3/6.2
R235	7030005090	S.RES ERJ2GEJ 104 X (100 k)	B	20.3/4.2
R236	7030005230	S.RES ERJ2GEJ 334 X (330 k)	B	23.3/5.2
R237	7030005050	S.RES ERJ2GEJ 103 X (10 k)	T	21.1/39.1
R238	7410001140	S.ARY EXB28V104JX	B	40.9/9.5
R240	7030005590	S.RES ERJ2GEJ 680 X (68)	T	99.7/12.9
R251	7030008010	S.RES ERJ2GEJ 123 X (12 k)	B	5.9/9.1
R252	7030005530	S.RES ERJ2GEJ 100 X (10)	B	13.7/9.1
R254	7030008010	S.RES ERJ2GEJ 123 X (12 k)	B	9.3/10.1
R255	7030008010	S.RES ERJ2GEJ 123 X (12 k)	B	7.6/10.1
R256	7030005050	S.RES ERJ2GEJ 103 X (10 k)	T	6/8.6
R257	7030005120	S.RES ERJ2GEJ 102 X (1 k)	T	9/22.1
R258	7410001140	S.ARY EXB28V104JX	T	6.6/20.6
R259	7030005120	S.RES ERJ2GEJ 102 X (1 k)	T	21.6/22.1
R260	7030005090	S.RES ERJ2GEJ 104 X (100 k)	T	21.5/25
R261	7410001130	S.ARY EXB28V102JX	T	19.4/19.9
R262	7030005090	S.RES ERJ2GEJ 104 X (100 k)	T	21.3/13.9
R263	7030005050	S.RES ERJ2GEJ 103 X (10 k)	T	21.3/12.9
R264	7030005240	S.RES ERJ2GEJ 473 X (47 k)	T	21.3/10.9
R265	7410001130	S.ARY EXB28V102JX	T	19.7/9.2
R266	7030007340	S.RES ERJ2GEJ 153 X (15 k)	T	5.7/18.8
R271	7030005160	S.RES ERJ2GEJ 105 X (1 M)	B	10/39.3
R272	7030005160	S.RES ERJ2GEJ 105 X (1 M)	B	11/39.3
R273	7030005160	S.RES ERJ2GEJ 104 X (1 M)	B	12/39.3
R274	7030005070	S.RES ERJ2GEJ 683 X (68 k)	B	15/39.3
R275	7030005090	S.RES ERJ2GEJ 104 X (100 k)	B	13/39.3
R276	7030005090	S.RES ERJ2GEJ 104 X (100 k)	B	8/39.3
R277	7030005090	S.RES ERJ2GEJ 104 X (100 k)	B	9/39.3
R278	7030005090	S.RES ERJ2GEJ 104 X (100 k)	B	14/39.3
R280	7030005050	S.RES ERJ2GEJ 103 X (10 k)	B	16.2/36.2
R284	7030004980	S.RES ERJ2GEJ 101 X (100)	B	16.3/27.2
R287	7030007280	S.RES ERJ2GEJ 331 X (330)	T	18.4/24
R288	7030005030	S.RES ERJ2GEJ 152 X (1.5 k)	T	14.7/22.7
R291	7030005090	S.RES ERJ2GEJ 104 X (100 k)	B	5.9/12.5
R292	7030005090	S.RES ERJ2GEJ 104 X (100 k)	B	7.6/12.5
R293	7030008290	S.RES ERJ2GEJ 183 X (18 k)	T	61.4/43.4
R294	7030005600	S.RES ERJ2GEJ 273 X (27 k)	T	60.4/43.4
R295	7030005240	S.RES ERJ2GEJ 473 X (47 k)	B	95.1/43.4
R296	7030003490	S.RES ERJ3GEYJ 272 V (2.7 k)	B	91.8/35.3
R297	7030005120	S.RES ERJ2GEJ 102 X (1 k)	T	91.3/36.2
R301	7030010040	S.RES ERJ2GEJ-JPW	B	93.1/22.4
R302	7030004990	S.RES ERJ2GEJ 221 X (220)	T	93.3/34.9
R303	7030005040	S.RES ERJ2GEJ 472 X (4.7 k)	T	32.8/20.3
R304	7030005090	S.RES ERJ2GEJ 104 X (100 k)	T	33.6/21.8
C1	4030017620	S.CER ECJ0EC1H100C	B	94.2/41.5
C2	4030017370	S.CER ECJ0EC1H3R5B	B	93.2/36
C3	4030017620	S.CER ECJ0EC1H100C	B	96.5/33.9
C4	4030017570	S.CER ECJ0EC1H040B	B	94.9/33.9
C5	4030017580	S.CER ECJ0EC1H060C	B	94.6/30.2
C6	4030017460	S.CER ECJ0EB1E102K	B	92.8/33.4
C7	4030017460	S.CER ECJ0EB1E102K	B	92.9/29.6
C8	4030017380	S.CER ECJ0EC1H050B	B	93.2/28.1
C11	4030009990	S.CER C1608 CH 1H 200J-T	B	91.5/21.9
C13	4030009650	S.CER C1608 CH 1H 240J-T	B	88.3/20.8
C14	4030017570	S.CER ECJ0EC1H040B	B	86.8/38.7
C16	4030008560	S.CER C1608 CH 1H 300J-T	B	86.4/21.5
C17	4030017510	S.CER ECJ0EC1H680J	B	83.4/38.7
C19	4030017620	S.CER ECJ0EC1H100C	B	86/37.7
C20	4030017590	S.CER ECJ0EC1H070C	B	84.1/37.7
C21	4030017660	S.CER ECJ0EC1H330J	B	85.8/34.3
C22	4030017600	S.CER ECJ0EC1H080C	B	84.1/36.7
C23	4030017560	S.CER ECJ0EC1H2R5B	B	82/37.7
C24	4030017660	S.CER ECJ0EC1H330J	B	79.7/33.2
C25	4030017610	S.CER ECJ0EC1H090C	B	80.4/36.1
C27	4030017460	S.CER ECJ0EB1E102K	T	83.9/35.7
C28	4030017460	S.CER ECJ0EB1E102K	T	83.9/37.7
C30	4030017590	S.CER ECJ0EC1H070C	B	79.6/37.8
C31	4030017460	S.CER ECJ0EB1E102K	T	80.4/37.2
C32	4030017460	S.CER ECJ0EB1E102K	T	75.8/39.9
C33	4030017460	S.CER ECJ0EB1E102K	T	77.1/38.7
C34	4030017420	S.CER ECJ0EC1H470J	T	77.1/39.7
C35	4030016930	S.CER ECJ0EB1A104K	T	78.8/37.7
C36	4030017460	S.CER ECJ0EB1E102K	B	71.8/33.3
C37	4030017460	S.CER ECJ0EB1E102K	B	73.4/34.2
C38	4030017570	S.CER ECJ0EC1H040B	B	74.8/37.7
C39	4030017630	S.CER ECJ0EC1H120J	B	73.5/38.8
C40	4030017520	S.CER ECJ0EC1H0R3B	B	73.

[MAIN-B UNIT] (For IC-F26-L)

REF NO.	PARTS NO.	DESCRIPTION	M.	H/V LOCATION
C65	4030017460	S.CER ECJ0EB1E102K	B	46.5/18.9
C66	4030017460	S.CER ECJ0EB1E102K	B	47.5/13.7
C67	4030017460	S.CER ECJ0EB1E102K	B	53.4/22.6
C68	4030017440	S.CER ECJ0EC1H221J	B	51.8/13.7
C69	4030017730	S.CER ECJ0EB1E471K	B	53.8/15.4
C70	4030017730	S.CER ECJ0EB1E471K	B	54.8/13.7
C71	4030016930	S.CER ECJ0EB1A104K	B	56.2/17.5
C72	4030017420	S.CER ECJ0EC1H470J	T	69.8/18.7
C73	4030017460	S.CER ECJ0EB1E102K	T	69.3/24
C74	4030017460	S.CER ECJ0EB1E102K	T	93.3/37
C75	4550005980	S.TAN TEESVA 1A 475M8R	B	53.8/11.4
C76	4030016790	S.CER ECJ0EB1C103K	T	66.7/21.1
C77	4030017460	S.CER ECJ0EB1E102K	T	65.7/22.7
C78	4030017460	S.CER ECJ0EB1E102K	T	74.8/20.8
C79	4030018890	S.CER ECJ0EB0J224K	T	72.3/21.1
C80	4030017780	S.CER ECJ0EB1E472K	T	68/18.7
C81	4030016790	S.CER ECJ0EB1C103K	B	77.2/21.5
C82	4030017460	S.CER ECJ0EB1E102K	B	78.2/21.5
C84	4030017420	S.CER ECJ0EC1H470J	T	81.3/20.5
C86	4030017500	S.CER ECJ0EC1H560J	T	78.7/24.3
C88	4030017460	S.CER ECJ0EB1E102K	T	73.1/24
C89	4030017570	S.CER ECJ0EC1H040B	T	75.5/24.4
C91	4510009280	S.ELE EEE1EA4R7SR	B	69.7/20.3
C92	4030017660	S.CER ECJ0EC1H330J	T	74.6/30.9
C93	4030017380	S.CER ECJ0EC1H050B	T	70.9/33.5
C94	4030017730	S.CER ECJ0EB1E471K	T	70.3/24
C97	4030017420	S.CER ECJ0EC1H470J	T	74.8/36
C98	4030017380	S.CER ECJ0EC1H050B	T	66.1/33.9
C99	4030017460	S.CER ECJ0EB1E102K	T	68.3/36.3
C100	4030017620	S.CER ECJ0EC1H100C	B	61.3/36.1
C102	4030017380	S.CER ECJ0EC1H050B	T	59.5/34.3
C103	4030017350	S.CER ECJ0EC1H020B	B	58.2/35.1
C104	4030017460	S.CER ECJ0EB1E102K	T	58.9/29.4
C105	4030017460	S.CER ECJ0EB1E102K	B	58.6/37.1
C106	4030017420	S.CER ECJ0EC1H470J	B	70.2/33.9
C107	4030017460	S.CER ECJ0EB1E102K	T	70.6/36.3
C108	4030016790	S.CER ECJ0EB1C103K	T	69.7/36.3
C109	4030017460	S.CER ECJ0EB1E102K	B	57.6/41.3
C110	4030017730	S.CER ECJ0EB1E471K	B	55.7/30.5
C111	4030017420	S.CER ECJ0EC1H470J	B	56.3/34.4
C112	4030017460	S.CER ECJ0EB1E102K	T	60.2/38.6
C113	4030017520	S.CER ECJ0EC1H0R3B	T	56.1/32.6
C114	4030017630	S.CER ECJ0EC1H120J	T	51.9/36.5
C115	4030017630	S.CER ECJ0EC1H120J	T	55.7/35.7
C116	4030016790	S.CER ECJ0EB1C103K	T	56.5/37.9
C117	4030017730	S.CER ECJ0EB1E471K	T	56.5/36.9
C118	4030017530	S.CER ECJ0EC1H0R5B	T	56.1/33.9
C119	4030017460	S.CER ECJ0EB1E102K	T	56.6/31.6
C120	4030017730	S.CER ECJ0EB1E471K	T	57.5/28.7
C121	4030017640	S.CER ECJ0EC1H150J	T	52.6/30
C122	4030017640	S.CER ECJ0EC1H150J	T	53.1/28.6
C123	4030017650	S.CER ECJ0EC1H270J	T	52.6/31
C124	4030017630	S.CER ECJ0EC1H120J	T	51.1/29
C126	4030017390	S.CER ECJ0EC1H180J	T	51.9/37.7
C127	4030017620	S.CER ECJ0EC1H100C	T	50.5/37.5
C129	4030017530	S.CER ECJ0EC1H0R5B	T	48.4/31.4
C130	4030016950	S.CER ECJ0EB1A473K	B	49.3/39.1
C132	4030017460	S.CER ECJ0EB1E102K	B	46.9/27.1
C133	4030017390	S.CER ECJ0EC1H180J	T	51.1/31
C134	4030017400	S.CER ECJ0EC1H220J	T	50.6/36.3
C135	4030017460	S.CER ECJ0EB1E102K	T	48.4/34.4
C136	4030016930	S.CER ECJ0EB1A104K	T	48.4/35.4
C137	4030016790	S.CER ECJ0EB1C103K	T	57.7/44.1
C138	4030017460	S.CER ECJ0EB1E102K	B	46.9/28.4
C139	4030016930	S.CER ECJ0EB1A104K	B	56.7/28.9
C140	4030016930	S.CER ECJ0EB1A104K	T	43.4/34.7
C141	4030017460	S.CER ECJ0EB1E102K	B	50.1/42.4
C142	4030017460	S.CER ECJ0EB1E102K	B	42.9/21
C143	4030017460	S.CER ECJ0EB1E102K	B	52/42.3
C144	4030017420	S.CER ECJ0EC1H470J	B	49.6/29.3
C145	4030017420	S.CER ECJ0EC1H470J	B	47.1/23.9
C146	4550000270	S.TAN TEESVA 1E 474M8R	B	52.6/32.7
C147	4550000460	S.TAN TEESVA 1C 105M8R	B	47.5/41.4
C148	4550006250	S.TAN TEESVA 1A 106M8R	T	50.1/44.1
C149	4030017460	S.CER ECJ0EB1E102K	T	43.8/39.1
C150	4030018860	S.CER ECJ0EB0J105K	T	43.9/22.7
C151	4030016930	S.CER ECJ0EB1A104K	T	40.2/40.8
C152	4030017420	S.CER ECJ0EC1H470J	T	35.3/41.1
C153	4030017420	S.CER ECJ0EC1H470J	T	37.2/41.1
C154	4030017420	S.CER ECJ0EC1H470J	T	38/39.1
C155	4030017420	S.CER ECJ0EC1H470J	T	43.8/38.1
C156	4030017460	S.CER ECJ0EB1E102K	T	39.5/32
C157	4030017620	S.CER ECJ0EC1H100C	T	38.5/32
C158	4030016930	S.CER ECJ0EB1A104K	T	36.1/31.4
C159	4030017460	S.CER ECJ0EB1E102K	T	36.1/32.4
C160	4030016930	S.CER ECJ0EB1A104K	B	20.2/33.7
C161	4030017620	S.CER ECJ0EC1H100C	T	43.4/33.7
C162	4030017500	S.CER ECJ0EC1H560J	T	43.9/28.1
C163	4030017570	S.CER ECJ0EC1H040B	T	42.5/27.6
C164	4030017590	S.CER ECJ0EC1H070C	T	43.9/27.1
C165	4030016790	S.CER ECJ0EB1C103K	T	43.4/31.7
C166	4030017360	S.CER ECJ0EC1H030B	T	43.2/24.7
C167	4030016930	S.CER ECJ0EB1A104K	B	55.8/23.3
C168	4030016930	S.CER ECJ0EB1A104K	B	56.6/19.8
C169	4030016930	S.CER ECJ0EB1A104K	B	56.6/18.8
C170	4030017460	S.CER ECJ0EB1E102K	T	91.5/34.2
C171	4030017420	S.CER ECJ0EC1H470J	T	91.5/35.2
C173	4030017460	S.CER ECJ0EB1E102K	T	82.3/37.3
C175	4030017570	S.CER ECJ0EC1H040B	B	97.1/41.5
C176	4030017460	S.CER ECJ0EB1E102K	T	77.7/20.4
C177	4030011770	S.CER C1608 CH 1H 060B-T	B	90.7/33.4
C178	4030017420	S.CER ECJ0EC1H470J	T	77.7/21.3
C180	4030017420	S.CER ECJ0EC1H470J	T	67.1/32.3
C182	4030017600	S.CER ECJ0EC1H080C	T	68.8/31.6

[MAIN-B UNIT] (For IC-F26-L)

REF NO.	PARTS NO.	DESCRIPTION	M.	H/V LOCATION
C183	4030017420	S.CER ECJ0EC1H470J	T	74.1/24
C185	4030017530	S.CER ECJ0EC1H0R5B	B	90.7/35.7
C186	4030017530	S.CER ECJ0EC1H0R5B	B	92.1/38.7
C188	4030017460	S.CER ECJ0EB1E102K	B	47.5/20.7
C202	4030016930	S.CER ECJ0EB1A104K	T	48.4/33.4
C203	4030017460	S.CER ECJ0EB1E102K	B	46.9/30.1
C205	4030017380	S.CER ECJ0EC1H050B	B	56.3/39.7
C206	4030017600	S.CER ECJ0EC1H080C	B	55.9/41.3
C208	4030017600	S.CER ECJ0EC1H080C	B	54.2/42.3
C209	4030017460	S.CER ECJ0EB1E102K	B	54.2/43.3
C211	4030018910	S.CER C1608 JB 0J 475K-T	T	36.1/21.9
C213	4030017460	S.CER ECJ0EB1E102K	T	31.5/27.8
C221	4030016930	S.CER ECJ0EB1A104K	T	32.3/31.6
C222	4030016930	S.CER ECJ0EB1A104K	T	19.2/34
C223	4030016930	S.CER ECJ0EB1A104K	B	29.7/9
C224	4030016930	S.CER ECJ0EB1A104K	T	40.9/29.1
C225	4030017460	S.CER ECJ0EB1E102K	B	83/11.6
C226	4550005980	S.TAN TEESVA 1A 475M8R	B	81.2/13.5
C227	4030016790	S.CER ECJ0EB1C103K	B	86.9/13
C228	4510008540	S.ELE EEE1CA100SR	B	89.4/17.7
C229	4030017460	S.CER ECJ0EB1E102K	B	85.8/17.8
C230	4030016930	S.CER ECJ0EB1A104K	B	85.8/16.8
C231	4030016790	S.CER ECJ0EB1C103K	T	74/13.3
C232	4030017730	S.CER ECJ0EB1E471K	T	76.2/13.3
C233	4030016790	S.CER ECJ0EB1C103K	T	24.5/23
C234	4030017460	S.CER ECJ0EB1E102K	T	24.2/27.8
C235	4030016790	S.CER ECJ0EB1C103K	T	69.8/15.7
C236	4030017460	S.CER ECJ0EB1E102K	T	69.8/17.7
C237	4510008660	S.ELE EEE0JA220SR	B	76/15.5
C238	4030017460	S.CER ECJ0EB1E102K	B	77/18.4
C241	4030016930	S.CER ECJ0EB1A104K	T	35.4/9.9
C242	4030016930	S.CER ECJ0EB1A104K	T	44.7/9.9
C243	4030016790	S.CER ECJ0EB1C103K	T	40.5/9.9
C244	4030016930	S.CER ECJ0EB1A104K	B	46.5/15.4
C251	4030016970	S.CER ECJ0EB1C223K	T	33.4/17.1
C252	4030017740	S.CER ECJ0EB1E821K	T	29.9/16.1
C253	4030017740	S.CER ECJ0EB1E821K	T	33.4/14.9
C254	4030016930	S.CER ECJ0EB1A104K	T	33.4/10.9
C255	4030016950	S.CER ECJ0EB1A473K	B	34.5/12.1
C256	4030016940	S.CER ECJ0EB1A393K	T	29.9/28.1
C257	4030016930	S.CER ECJ0EB1A104K	T	29.9/30.1
C258	4030017790	S.CER ECJ0EB1E682K	T	26.6/30.1
C259	4030018860	S.CER ECJ0EB0J105K	T	31.5/41.1
C260	4030017730	S.CER ECJ0EB1E471K	T	29.8/39.1
C261	4030016930	S.CER ECJ0EB1A104K	T	31.5/40.1
C264	4510008540	S.ELE EEE1CA100SR	B	69.7/15.5
C265	4030017460	S.CER ECJ0EB1E102K	B	64.4/12.3
C266	4030016930	S.CER ECJ0EB1A104K	B	63/8.5
C269	4030017720	S.CER ECJ0EB1H331K	T	11.6/37.9
C270	4030016950	S.CER ECJ0EB1A473K	T	14.1/28.8
C271	4030016950	S.CER ECJ0EB1A473K	T	14.1/26.8
C272	4030016950	S.CER ECJ0EB1A473K	T	10.6/28.5
C273	4030016950	S.CER ECJ0EB1A473K	T	14.1/27.8
C274	4030016950	S.CER ECJ0EB1A473K	T	11.6/31.9
C275	4030016970	S.CER ECJ0EB1C223K	T	11.6/34.4
C276	4030016950	S.CER ECJ0EB1A473K	T	12.6/34.4
C277	4030016930	S.CER ECJ0EB1A104K	T	14.6/40.1
C278	4030017430	S.CER ECJ0EC1H101J	T	18.4/0.1
C279	4030018910	S.CER C1608 JB 0J 475K-T	T	36.9/23.2
C280	4030017780	S.CER ECJ0EB1E472K	T	21.3/27.8
C281	4030018920	S.CER ECJ0EB1H392K	T	17.7/26.8
C282	4030017710	S.CER ECJ0EC1H181J	T	17.7/29.8
C283	4030018900	S.CER ECJ0EB0J474K	T	19.4/31.7
C284	4030016930	S.CER ECJ0EB1A104K	T	22.9/39.1
C285	4030016930	S.CER ECJ0EB1A104K	T	22.9/40.1
C286	4030017460	S.CER ECJ0EB1E102K	B	16.7/40.4
C287	4550006250	S.TAN TEESVA 1A 106M8R	B	21.8/40.7
C288	4030017460	S.CER ECJ0EB1E102K	B	17.2/38.1
C289	4030016930	S.CER ECJ0EB1A104K	B	20.2/31
C290	4030016930	S.CER ECJ0EB1A104K	T	27.5/16.2
C291	4030016780	S.CER ECJ0EB1C153K	T	25.7/10.9
C292	4030016930	S.CER ECJ0EB1A104K	T	25.7/13.9
C293	4030017740	S.CER ECJ0EB1E821K	T	25.7/11.9
C295	4030018110	S.CER ECJ0EB1H272K	T	29.1/5.1
C296	4030018240	S.CER ECJ0EB1E562K	T	29.1/6.1
C297	4030017710	S.CER ECJ0EC1H181J	T	27.1/7.1
C298	4030018090	S.CER ECJ0EB1C822K	T	31/7.1
C299	4030017510	S.CER ECJ0EC1H680J	T	31/5.1
C300	4030017440	S.CER ECJ0EC1H221J	B	19.8/38.2
C302	4030017620	S.CER ECJ0EC1H100C	T	66/39.3
C303	4030017460	S.CER ECJ0EB1E102K	T	65/39.3
C304	4030017580	S.CER ECJ0EC1H060C	B	68.5/40.2
C305	4030017590	S.CER ECJ0EC1H070C	B	64.2/40.8
C306	4030017460	S.CER ECJ0EB1E102K	B	61/12.3
C307	4030017460	S.CER ECJ0EB1E102K	B	59.3/12.3
C308	4030017460	S.CER ECJ0EB1E102K	T	75.7/9.8
C309	403001			

**[MAIN-B UNIT] (For IC-F26-L)**

REF NO.	PARTS NO.	DESCRIPTION	M.	H/V LOCATION
C333	4030017420	S.CER ECJ0EC1H470J	B	76.8/39.9
C335	4030018860	S.CER ECJ0EB0J105K	B	54.6/22.6
C339	4030016930	S.CER ECJ0EB1A104K	B	5.9/17.2
C340	4030016930	S.CER ECJ0EB1A104K	B	9.3/12.5
C341	4030016930	S.CER ECJ0EB1A104K	B	5.9/10.1
C342	4030017630	S.CER ECJ0EC1H120J	B	18.3/4.2
C343	4030017580	S.CER ECJ0EC1H060C	B	5.6/4.2
C344	4030017640	S.CER ECJ0EC1H150J	B	7.6/9.1
C345	4030016930	S.CER ECJ0EB1A104K	B	11/11.2
C346	4030016930	S.CER ECJ0EB1A104K	B	11/10.1
C347	4030016790	S.CER ECJ0EB1C103K	T	8.8/6.5
C348	4030016930	S.CER ECJ0EB1A104K	T	6/10
C349	4030016930	S.CER ECJ0EB1A104K	T	21.3/14.9
C350	4030017460	S.CER ECJ0EB1E102K	T	59.4/43.4
C354	4030017460	S.CER ECJ0EB1E102K	T	14.2/24.4
C355	4030018080	S.CER ECJ0EB1H182K	T	42.9/22.7
C356	4030018910	S.CER C1608 JB 0J 475K-T	T	34.6/20.6
J1	6510021901	S.CNR BM02B-ASRS-TF (LF) (SN)	T	86.6/6.8
J2	6450001680	CNR HSJ1122-010010		
J3	6450002250	CNR HSJ1456-010320		
J4	6510018430	S.CNR AXN330C038P	B	11.8/30.6
F1	5210000830	S.FUS ERBFE3R00U	T	98/14.5
DS1	5040002670	S.LED CL-165HR/YG	T	102.8/12.4
MC1	7700002750	MIC EM9745P-38-G <HOR>		
S1	2260002840	SW SKHLLFA010		
S2	2260002800	S.SW SW-167 (SKQTLAE010)	B	99.4/44.2
S3	2260002800	S.SW SW-167 (SKQTLAE010)	B	60.9/44.2
S4	2250000490	ECR TP70TF5163-15.9F-2775		
EP1	6910015370	S.BEA ACZ1005Y-102-T	T	57/29.9
EP3	6910015370	S.BEA ACZ1005Y-102-T	T	34.7/32

**[ANT UNIT]**

REF NO.	PARTS NO.	DESCRIPTION	M.	H/V LOCATION
L601	6200008240	S.COL 0.30-0.9-5TL 14N	B	7.2/12.5
C601	4030017600	S.CER ECJ0EC1H080C	B	5.8/15.3

**[CONNECT UNIT]**

REF NO.	PARTS NO.	DESCRIPTION	M.	H/V LOCATION
C501	4030017460	S.CER ECJ0EB1E102K	T	8.3/5.3
C502	4030016930	S.CER ECJ0EB1A104K	T	9.3/5.3
J501	6910016390	CNR IMSA-9230B-1-02Z145-PT1		

M.=Mounted side (T: Mounted on the Top side, B: Mounted on the Bottom side)  
S.=Surface mount



• BC-160 (Optional)

[MAIN UNIT]

REF NO.	ORDER NO.	DESCRIPTION	M.	H/V LOCATION
IC1	1110006480	S.IC NJM2801U1-0543-TE1	B	10.2/62.3
IC2	1110003071	S.IC uPC494GS-E1-A	B	13/36.7
IC3	1140012301	S.IC uPD789112AMC-534-5A4-A	B	19.1/19.6
IC4	1110002700	S.IC NJM2904M-TE1	B	35.1/13.8
Q1	1530002060	S.TR 2SC4081 T106 R	B	37.3/63.9
Q2	1550000090	S.FET RSQ035P03TR	B	37.3/60.9
Q3	1530002060	S.TR 2SC4081 T106 R	B	35.8/19.3
Q4	1530002060	S.TR 2SC4081 T106 R	B	41.6/18.3
Q5	1590000430	S.TR DTC144EUA T106	B	23.7/26.6
Q6	1530002060	S.TR 2SC4081 T106 R	B	22.5/58.2
D1	1730002350	S.ZEN MA8110-M (TX)	B	17.6/60.5
D2	1750000550	S.DIO 1SS355 TE-17	B	34.8/64.4
D3	1750001110	S.DIO SM240A-T	B	44.4/56
D4	1160000070	S.DIO DAN202K T146	B	26.9/20.6
D5	1750000550	S.DIO 1SS355 TE-17	B	27.2/15
X1	6060000790	S.CER CSTCR4M91G	B	10.3/17.7
L1	6190001640	S.COL SLF12555T-101M1R1	B	35.3/52.7
L2	6200002611	S.COL NLV25T-R47J	B	20.8/28.2
R2	7030000460	S.RES MCR10EZHJ 4.7 k	B	20.3/58.6
R3	7030003410	S.RES ERJ3GEYJ 561 V (560)	B	37.3/65.8
R4	7030003200	S.RES ERJ3GEYJ 100 V (10)	B	34.6/61.1
R5	7030009580	S.RES ERJ8RSJ R12V	B	31.8/73
R6	7030000540	S.RES MCR10EZHJ 22 k	B	30.1/26.8
R7	7030000380	S.RES MCR10EZHJ 1 k	B	30.1/29.6
R8	7030003520	S.RES ERJ3GEYJ 472 V (4.7 k)	B	39.5/18.4
R9	7030003600	S.RES ERJ3GEYJ 223 V (22 k)	B	13.8/30.5
R10	7030000740	S.RES MCR10EZHJ 1 M	B	25.8/34.9
R11	7030000540	S.RES MCR10EZHJ 22 k	B	24.8/37.8
R12	7030003560	S.RES ERJ3GEYJ 103 V (10 k)	B	10.8/30.5
R13	7030003600	S.RES ERJ3GEYJ 223 V (22 k)	B	19.3/34.5
R14	7030003770	S.RES ERJ3GEYJ 564 V (560 k)	B	21/34.5
R15	7030003650	S.RES ERJ3GEYJ 563 V (56 k)	B	21/40.3
R16	7030003770	S.RES ERJ3GEYJ 564 V (560 k)	B	19.3/40.3
R17	7030003560	S.RES ERJ3GEYJ 103 V (10 k)	B	22.7/40.3
R18	7030003410	S.RES ERJ3GEYJ 561 V (560)	B	8.6/43.5
R19	7030003620	S.RES ERJ3GEYJ 333 V (33 k)	B	16.7/42.1
R20	7030000560	S.RES MCR10EZHJ 33 k	B	28.1/40.4
R21	7030000380	S.RES MCR10EZHJ 1 k	B	26.3/28.6
R22	7030000440	S.RES MCR10EZHJ 3.3 k	B	24/11.4
R23	7030000460	S.RES MCR10EZHJ 4.7 k	B	24/8.8
R24	7030000260	S.RES MCR10EZHJ 100 (101)	B	20.3/11.4
R25	7030000260	S.RES MCR10EZHJ 100 (101)	B	20.3/8.8
R26	7030000500	S.RES MCR10EZHJ 10 k	B	30.5/22
R27	7030007220	S.RES ERA3YED 202V (2 k)	B	30.2/19.6
R28	7030011200	S.RES ERA3YEB 303V (30 k)	B	30/18.1
R29	7030011190	S.RES ERA3YEB 103V (10 k)	B	26.9/16.6
R30	7030005871	S.RES ERA3YKD 104V (100 k)	B	40.4/15.1
R31	7030003560	S.RES ERJ3GEYJ 103 V (10 k)	B	29.8/15.9
R32	7030005341	S.RES ERA3YED 332V (3.3 k)	B	43.4/11.1
R33	7030000500	S.RES MCR10EZHJ 10 k	B	31.7/9.8
R34	7030000740	S.RES MCR10EZHJ 1 M	B	42.1/14.4
R35	7030003440	S.RES ERJ3GEYJ 102 V (1 k)	B	40.4/12.2
R36	7030000460	S.RES MCR10EZHJ 4.7 k	B	34.7/23.8
R37	7030005501	S.RES ERA3YKD 124V (120 k)	B	33.6/21.3
R38	7030005671	S.RES ERA3YKD 393V (39 k)	B	30.1/25.1
R39	7030000010	S.RES MCR10EZHJ JPW	B	28.1/42.2
R40	7030000010	S.RES MCR10EZHJ JPW	B	27.7/8.4
R41	7030000010	S.RES MCR10EZHJ JPW	B	34.6/9.2
R42	7030008240	S.RES ERJ12YJ0R00U	B	38.9/7.4
R43	7030000010	S.RES MCR10EZHJ JPW	B	30.1/33.3
R44	7030000010	S.RES MCR10EZHJ JPW	B	28.1/33.3
R45	7030000010	S.RES MCR10EZHJ JPW	B	29.1/38
R46	7030000010	S.RES MCR10EZHJ JPW	B	29.1/36.1
R47	7030000010	S.RES MCR10EZHJ JPW	B	43.9/18.3
R48	7030008240	S.RES ERJ12YJ0R00U	B	43/28.9
R49	7030000010	S.RES MCR10EZHJ JPW	B	23.5/5.7
R50	7030008240	S.RES ERJ12YJ0R00U	B	34.1/38.2
R51	7030000010	S.RES MCR10EZHJ JPW	B	23.9/34.9
R52	7030000010	S.RES MCR10EZHJ JPW	B	24.7/32
R53	7030008240	S.RES ERJ12YJ0R00U	B	38.6/33.1
R54	7030000010	S.RES MCR10EZHJ JPW	B	34.4/33
R55	7030000010	S.RES MCR10EZHJ JPW	B	32/60.1
R56	7030000010	S.RES MCR10EZHJ JPW	B	42.1/41.5
R57	7030000010	S.RES MCR10EZHJ JPW	B	37.2/41.5
R58	7030000010	S.RES MCR10EZHJ JPW	B	24.9/57
R59	7030000010	S.RES MCR10EZHJ JPW	B	27.6/49.3
R60	7030000010	S.RES MCR10EZHJ JPW	B	16.3/58.3
R61	7030000010	S.RES MCR10EZHJ JPW	B	4.9/31.7
R62	7030000010	S.RES MCR10EZHJ JPW	B	39.1/41.5
R63	7030000010	S.RES MCR10EZHJ JPW	B	31.4/43.6
R64	7030000010	S.RES MCR10EZHJ JPW	B	40.1/38.7
R65	7030000010	S.RES MCR10EZHJ JPW	B	4.9/49.5
R66	7030003560	S.RES ERJ3GEYJ 103 V (10 k)	B	8.2/13.6
R67	7030000100	S.RES MCR10EZHJ 4R7 (4.7)	B	10.2/45.1
C1	4030006900	S.CER C1608 JB 1H 103K-T	B	44.5/70.7
C2	4030006900	S.CER C1608 JB 1H 103K-T	B	48.2/73.5
C3	4030006860	S.CER C1608 JB 1H 102K-T	B	44.5/67.8

[MAIN UNIT]

REF NO.	ORDER NO.	DESCRIPTION	M.	H/V LOCATION
C4	4030006900	S.CER C1608 JB 1H 103K-T	B	32.9/69.7
C5	4030006900	S.CER C1608 JB 1H 103K-T	B	32.9/71.1
C6	4510008540	S.ELE EEE1CA100SR	B	17.5/63.8
C7	4030011600	S.CER C1608 JB 1E 104K-T	B	13.4/60.8
C8	4030006900	S.CER C1608 JB 1H 103K-T	B	9.2/58.7
C9	4030011600	S.CER C1608 JB 1E 104K-T	B	13.4/63.8
C10	4510009150	S.ELE EEE1EA470WP	B	43.6/62.8
C11	4030006900	S.CER C1608 JB 1H 103K-T	B	35.8/67.9
C12	4030006900	S.CER C1608 JB 1H 103K-T	B	32.4/67.9
C13	4510009150	S.ELE EEE1EA470WP	B	26.5/62.8
C14	4510008660	S.ELE EEE0JA220SR	B	34.3/28
C15	4510008660	S.ELE EEE0JA220SR	B	40.8/23.8
C16	4030006860	S.CER C1608 JB 1H 102K-T	B	12.3/30.5
C17	4030011600	S.CER C1608 JB 1E 104K-T	B	19.3/37.4
C18	4030006900	S.CER C1608 JB 1H 103K-T	B	21/37.4
C19	4030006900	S.CER C1608 JB 1H 103K-T	B	13.1/42.2
C20	4030009980	S.CER C1608 JB 1H 152K-T	B	8.6/42.1
C21	4030011600	S.CER C1608 JB 1E 104K-T	B	9.5/21.9
C22	4030006900	S.CER C1608 JB 1H 103K-T	B	19/25.5
C23	4030006900	S.CER C1608 JB 1H 103K-T	B	26.9/23.2
C24	4030006900	S.CER C1608 JB 1H 103K-T	B	26.9/18
C25	4030004760	S.CER C2012 JF 1H 104Z-T	B	33.2/17.5
C26	4030006900	S.CER C1608 JB 1H 103K-T	B	41.9/11.1
C27	4030006900	S.CER C1608 JB 1H 103K-T	B	29.5/12.6
C28	4030006900	S.CER C1608 JB 1H 103K-T	B	30.1/23.7
J1	6510024940	CNR HEC2305-016250		
DS1	5040002740	LED RT3-03HRYG		

M.=Mounted side (T: Mounted on the Top side, B: Mounted on the Bottom side)  
S.=Surface mount



# SECTION 7

# MECHANICAL PARTS

## [CHASSIS PARTS]

REF NO.	ORDER NO.	DESCRIPTION	QTY.
J1	6910015910	ANT CONNECTOR 104	1
J2	6910015860	IMSA-6277S-O2A-G	1
S1	2260002870	AS-243-A13 [2CH] only	1
SP1	2510001061	K036NA500-67	1
W1	8900009640	OPC-963	1
W2	8900009640	OPC-963 [2CH] only	1
MP1	8010019695	2775 CHASSIS-5	1
MP2	8210020920	2775 FRONT PANEL (Inc. MP4, 5, 6, 7) [16CH]	1
	8210020930	2775 FRONT PANEL (A) (Inc. MP4, 5, 6, 7) [2CH]	1
	8210024600	2775 A-FRONT PANEL (Inc. MP4, 5, 6, 7, 43) [F4018]	1
MP3	8210020820	2775 PTT PANEL [Others]	1
	8210024560	2775 A-PTT PANEL [F4018]	1
MP4	8930063360	2775 PTT BUTTON	1
MP5	8930063370	2775 PTT RUBBER	1
MP6	8930040390	SPEAKER NET (B)	1
MP7	8930046050	SPEAKER NET (C)	1
MP8	8210020550	2721 REAR PANEL	1
MP9	8930063351	2775 LENS-1	1
MP10	8610011930	KNOB N-318 (Incl. MP23)	1
MP11	8610012130	KNOB N-323 (Incl. MP24)	[16CH] only
MP13	8930075190	2775 C-MAIN SEAL [16CH]	1
	8930063340	2775 A-MAIN SEAL [2CH]	1
MP14	8930063060	2721 T-RUBBER	1
MP16	8930063400	2775 SIDE PLATE	1
MP17	8930063411	2775 B-TOP PLATE-1 [16CH]	1
	8930063420	2775 A-TOP PLATE [2CH]	1
MP20	8930043760	1923 MIC SEAL	1
MP21	8930059360	2600 RELEASE BUTTON	1
MP22	8930070362	2775 RELEASE PLATE (A)-2	1
MP23	8610007510	KNOB SPRING NO.7800	1
MP24	8610007920	KNOB SPRING NO.1500 [16CH] only	1
MP25	8830001720	2721 ANT NUT	1
MP26	8810009221	SCREW BT B0 2X8 NI-ZK3 (BT)	2
MP27	8810009561	SCREW BT B0 2X6 NI-ZK3 (BT)	2
MP28	8810009511	SCREW BT B0 2X4 NI-ZC3 (BT)	9
MP29	8810009511	SCREW BT B0 2X4 NI-ZC3 (BT)	1
MP30	8810009511	SCREW BT B0 2X4 NI-ZC3 (BT)	1
MP31	8810010430	SCREW TRUSS M3X5 SUS SSBC	1
MP32	8930051290	2251 OPT SHEET	1
MP33	8930042350	1922 MIC SHEET	1
MP34	8930056540	PUSH SPRING (AH)	2
MP35	8830001701	VR NUT (Q)-1	1
MP36	8830001701	VR NUT (Q)-1 [16CH] only	1
MP37	8830001741	VR NUT (S)-1 [2CH] only	1
MP42	8930074580	2775 NAME SHEET [F4018] only	1
MP43	8930074610	SP NET (E) [F4018] only	1

## [MAIN/MAIN-B UNIT]

REF NO.	ORDER NO.	DESCRIPTION	QTY.
J2	6450001680	HSJ1122-010010	1
J3	6450002250	HSJ1456-010320	1
MC1	7700002750	EM9745P-38-G	1
S1	2260002840	SKHLLFA010	1
S4	2250000490	TP70TF5163 15.9F-2775 [16CH] only	1
MP1*	8410002531	2681 PA HEATSINK-1	1
MP2	8510016460	2775 VCO COVER	1
MP3*	8510016470	2775 VCO CASE	1
MP4*	8510016580	2775 SHIELD PLATE	1
MP5	8510016770	2776 EARTH PLATE	1

## [ANT UNIT]

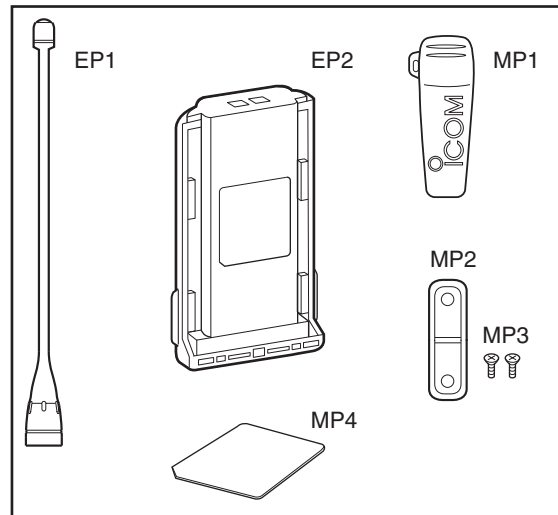
REF NO.	ORDER NO.	DESCRIPTION	QTY.
MP601	8510016350	2721 ANT PLATE	1

## [CONNECT UNIT]

REF NO.	ORDER NO.	DESCRIPTION	QTY.
J501	6910016390	IMSA-9230B-1-02Z145-PT1	1

## [ACCESSORIES]

REF NO.	ORDER NO.	DESCRIPTION	QTY.
EP1**	-	FA-SC57U-1 [Low band]	1
	-	FA-SC72U-1 [High band]	1
	-	FA-SC01U-2 [F26-L]	1
EP2**	-	BP-232N	1
EP3**	-	BC-160 [USA-04], [USA-05] only	1
EP4**	-	BC-145A [USA-04], [USA-05] only	1
MP1	8010019540	MB-94 ACC	1
MP2	8210020560	2721 JACK PANEL [Others]	1
	8210022780	2927 JACK PANEL [F4018]	1
MP3	8810004861	SCREW PH M2X6 ZK3	2
MP4	8930051290	2251 OPT SHEET	1



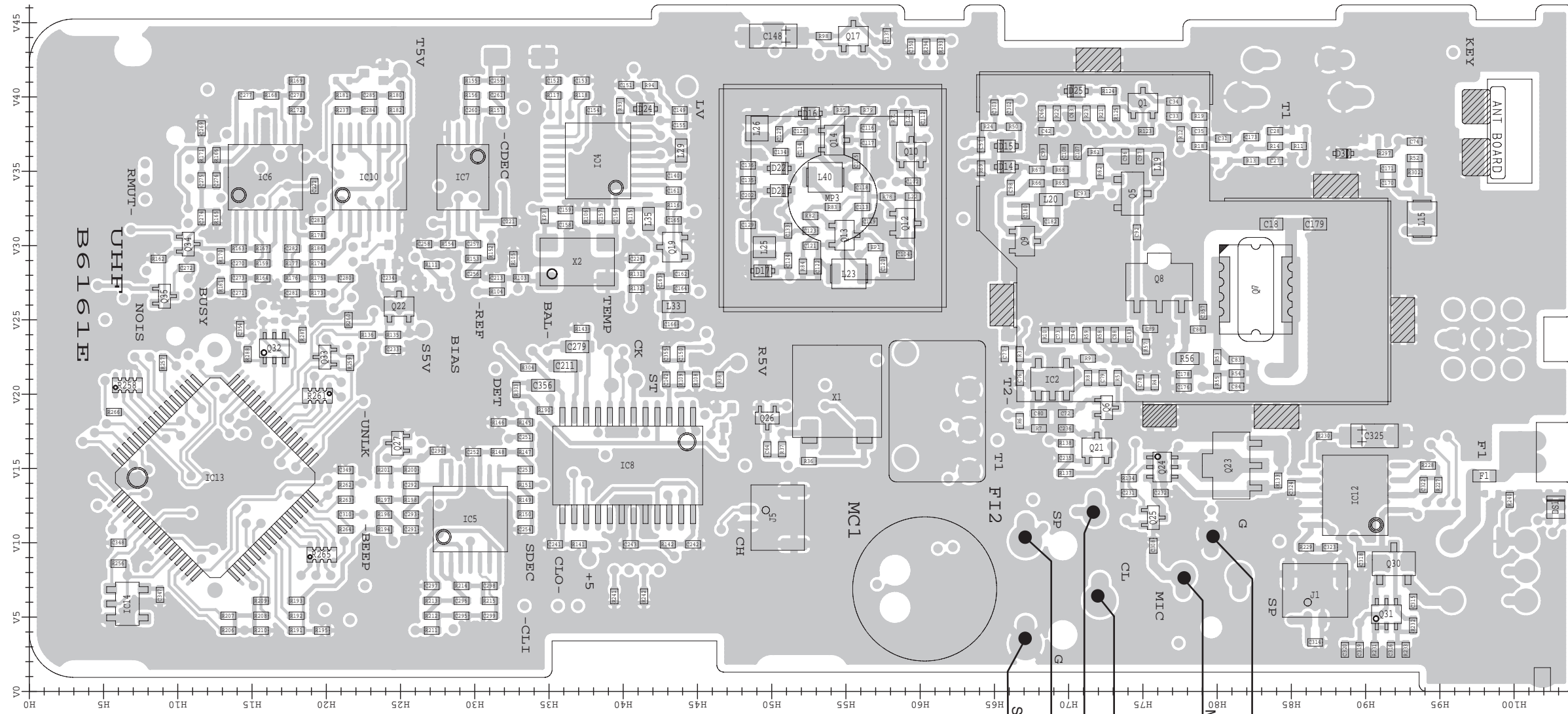
\*: Refer to "BOARD LAYOUTS."

\*\* : Optional product.

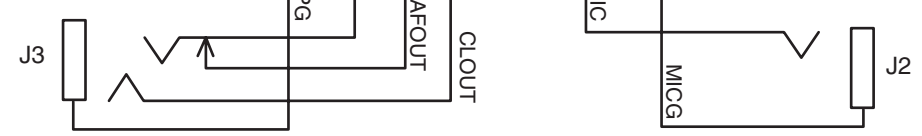
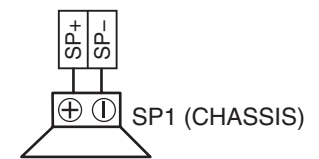
**Screw abbreviations** A, B0, BT: Self-tapping PH: Pan head ZK: Black NI-ZU: Nickel-Zinc SUS: Stainless



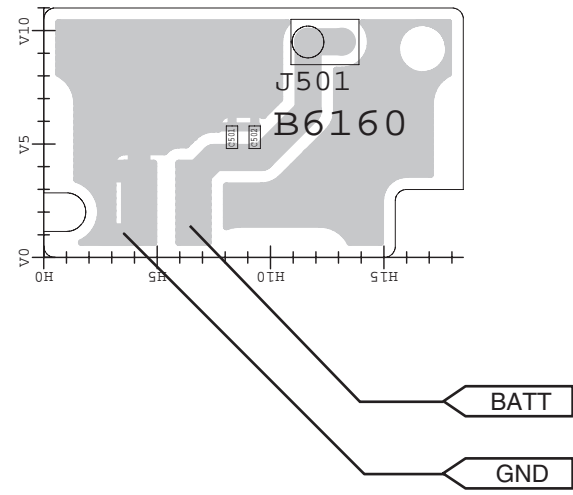
• MAIN/MAIN-B UNIT (TOP VIEW)



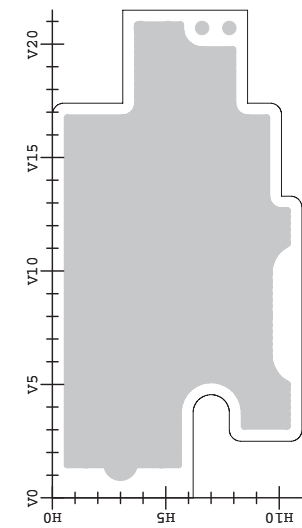
The combination of this side and the bottom side shows the board layout in the same configuration as the actual P.C.Board.



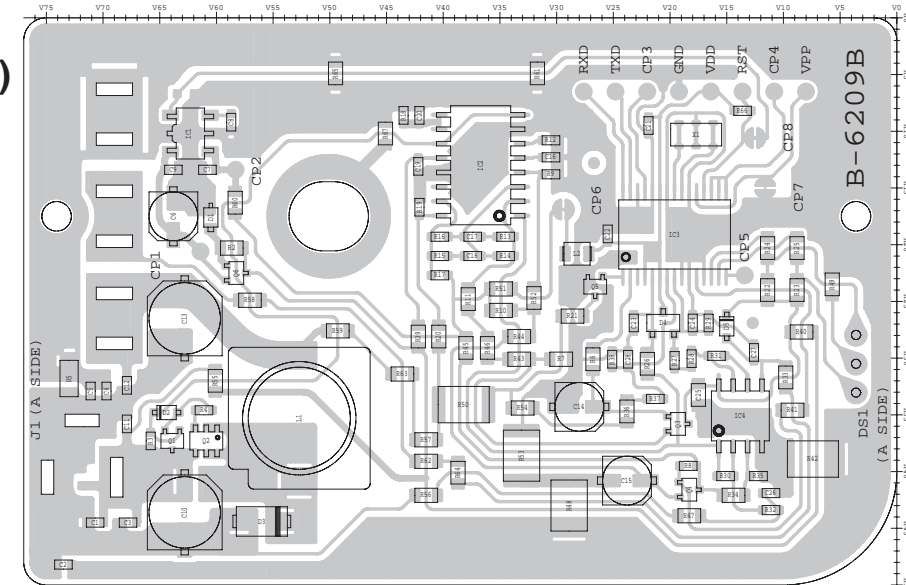
• CONNECT UNIT (TOP VIEW)



• ANT UNIT (TOP VIEW)

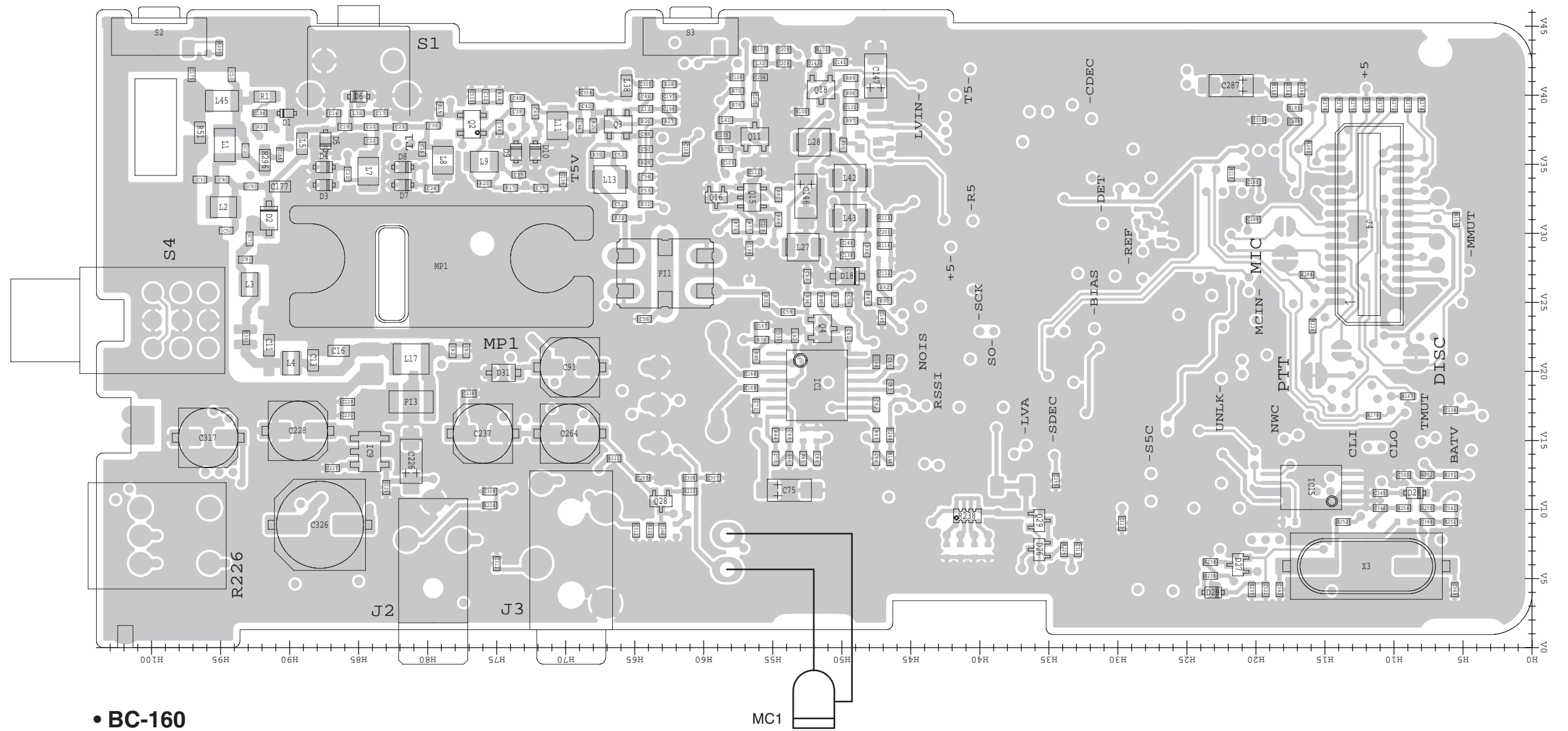


• BC-160 (TOP VIEW)

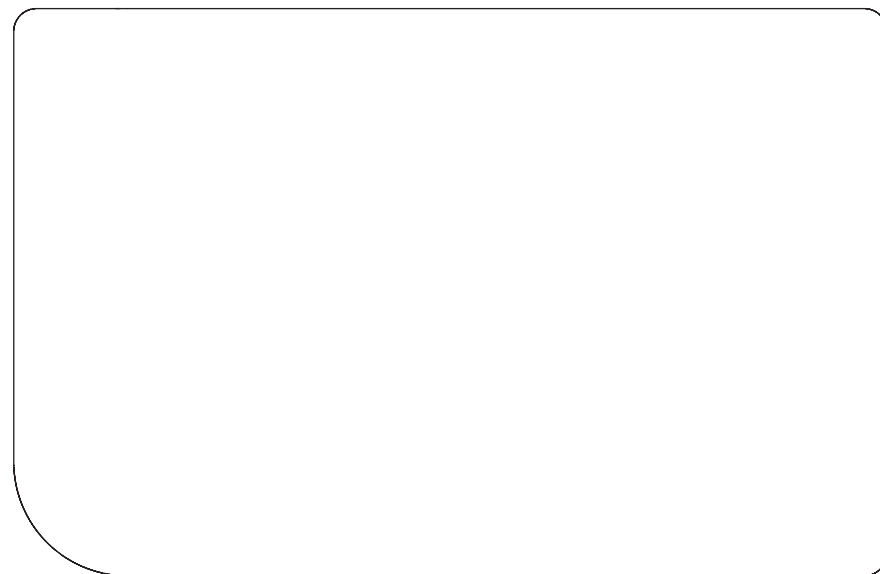


The combination of this side and the bottom side shows the board layout in the same configuration as the actual P.C.Board.

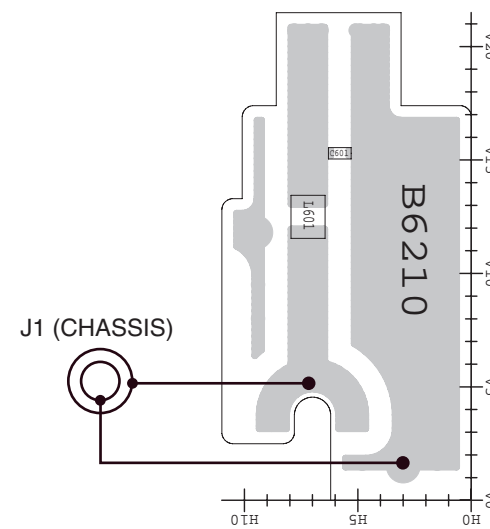
• MAIN/MAIN-B UNIT  
(BOTTOM VIEW)



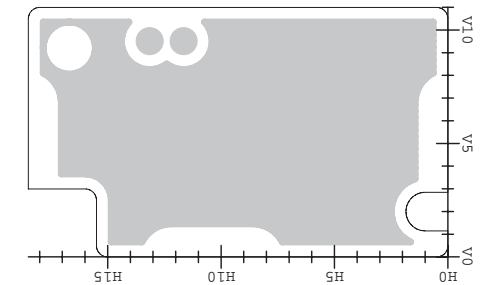
• BC-160  
(BOTTOM VIEW)



• ANT UNIT  
(BOTTOM VIEW)



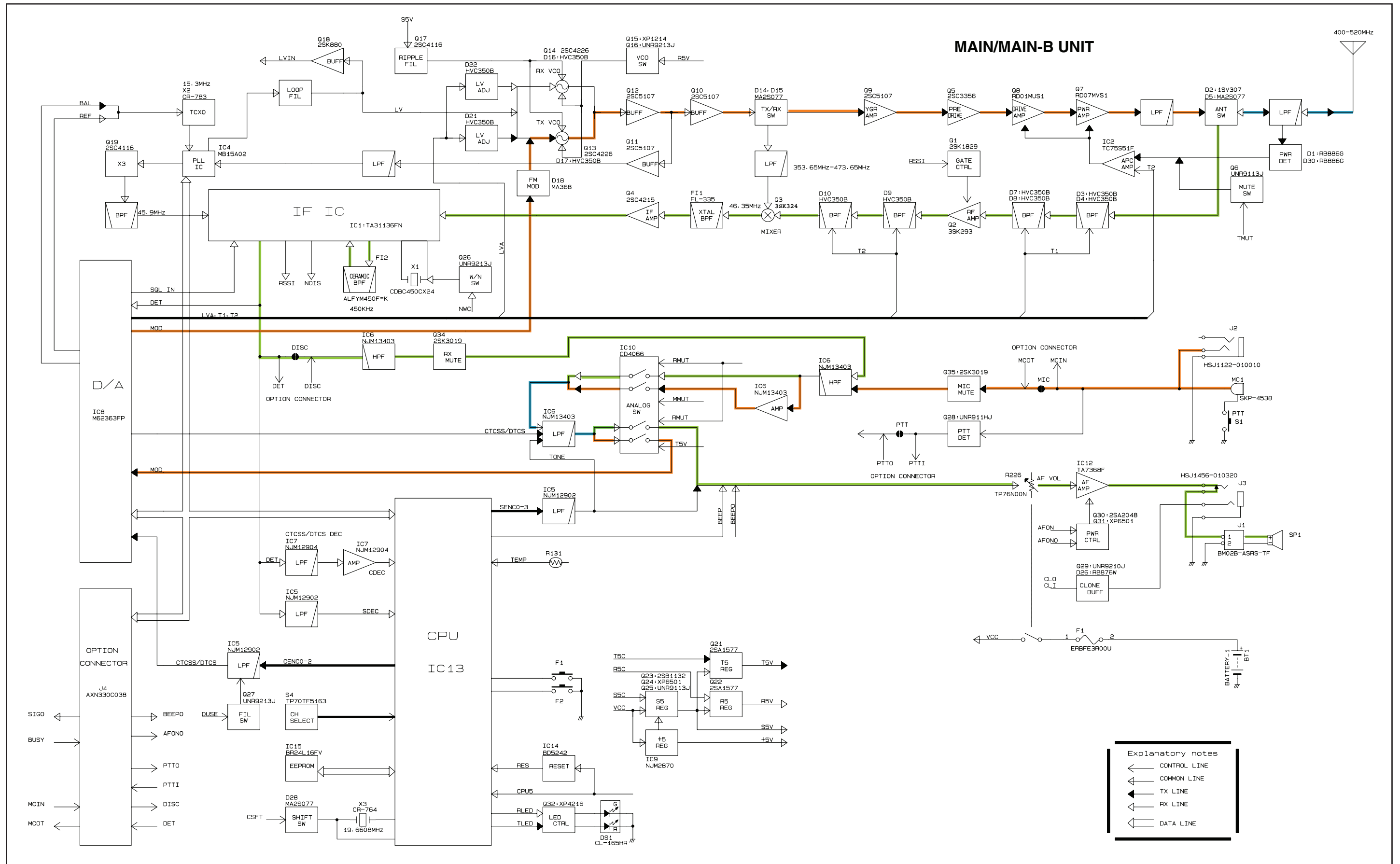
• CONNECT UNIT  
(BOTTOM VIEW)





# SECTION 9

# BLOCK DIAGRAM





# SECTION 11

# BC-160 (Optional)

### [CHASSIS PARTS]

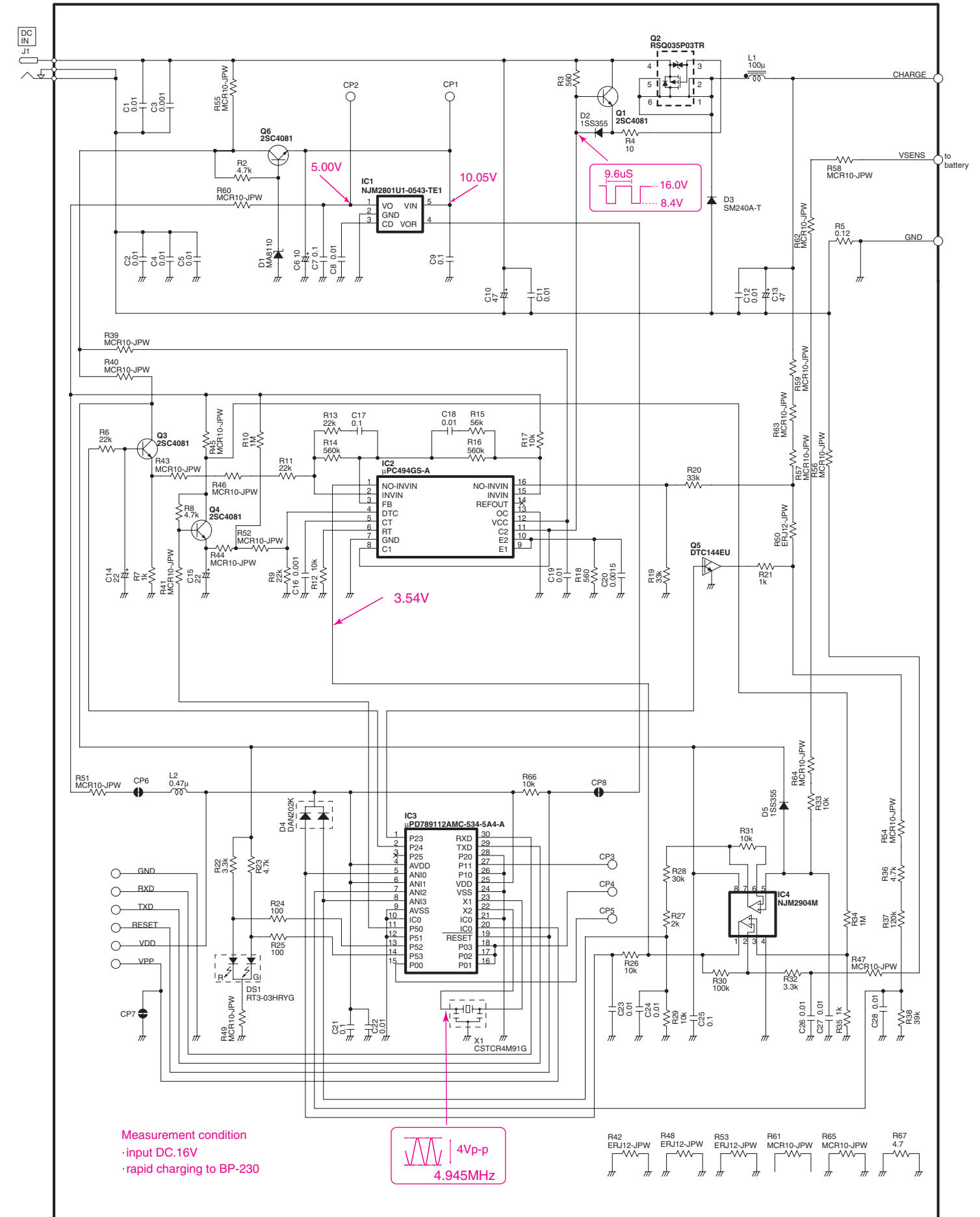
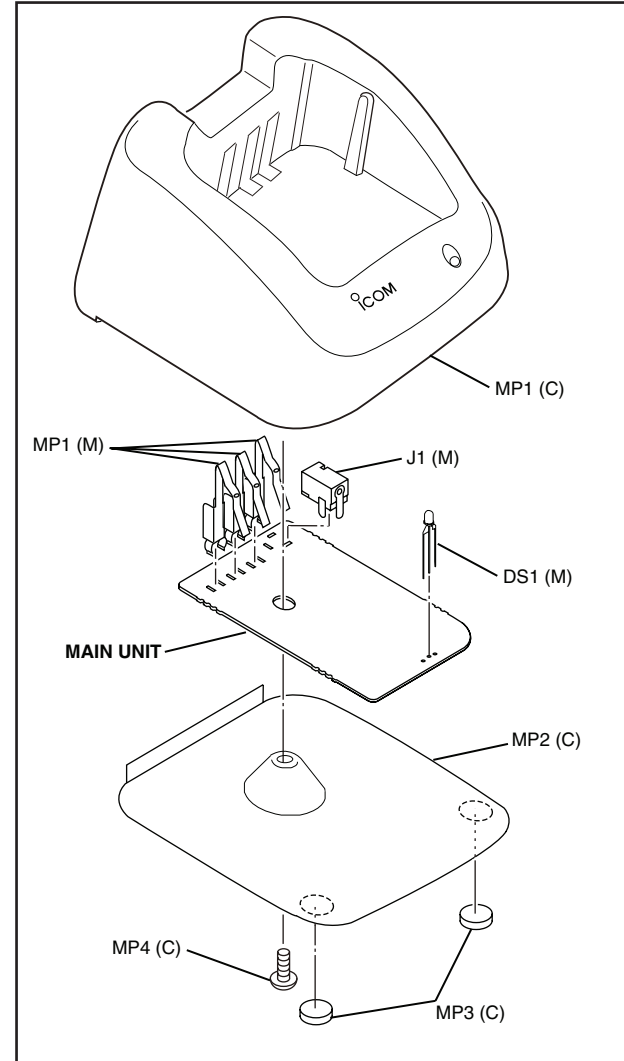
REF. NO.	ORDER NO.	DESCRIPTION	QTY.
MP1	8010019750	2830 case	1
MP2	8110008220	2830 cover	1
MP3	8930039620	Leg cushion (A)	2
MP4	8810008630	Screw PH BT M3 x 6 NI-ZU	1

### [MAIN UNIT]

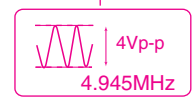
REF. NO.	ORDER NO.	DESCRIPTION	QTY.
J1	6510023070	Connector HEC2305-01-250	1
DS1	5040002740	LED RT3-03HRYG	1
MP1	8930064410	2830 TERMINAL	3

### [ACCESSORIES]

REF. NO.	ORDER NO.	DESCRIPTION	QTY.
EP1	Optional product	Charger BC-145E	[EUR] 1
	Optional product	Charger BC-145UK	[UK] 1



Measurement condition  
 ·input DC.16V  
 ·rapid charging to BP-230



## Icom Inc.

1-1-32, Kamiminami, Hirano-ku, Osaka 547-0003, Japan  
Phone : +81 (06) 6793 5302  
Fax : +81 (06) 6793 0013  
URL : <http://www.icom.co.jp/world/index.html>

### Icom America Inc.

<Corporate Headquarters>  
2380 116th Avenue N.E., Bellevue, WA 98004, U.S.A.  
Phone : +1 (425) 454-8155 Fax : +1 (425) 454-1509  
URL : <http://www.icomamerica.com>  
E-mail : [sales@icomamerica.com](mailto:sales@icomamerica.com)  
<Customer Service>  
Phone : +1 (425) 454-7619

### Icom Canada

Glenwood Centre #150-6165  
Highway 17 Delta, B.C., V4K 5B8, Canada  
Phone : +1 (604) 952-4266 Fax : +1 (604) 952-0090  
URL : <http://www.icomcanada.com>  
E-mail : [info@icomcanada.com](mailto:info@icomcanada.com)

### Icom (Australia) Pty. Ltd.

Unit 1 / 103 Garden Road, Clayton VIC 3168 Australia  
Phone : +61 (03) 9549-7500 Fax : +61 (03) 9549-7505  
URL : <http://www.icom.net.au>  
E-mail : [sales@icom.net.au](mailto:sales@icom.net.au)

### Icom New Zealand

146A Harris Road, East Tamaki,  
Auckland, New Zealand  
Phone : +64 (09) 274 4062 Fax : +64 (09) 274 4708  
URL : <http://www.icom.co.nz>  
E-mail : [inquiries@icom.co.nz](mailto:inquiries@icom.co.nz)

### Beijing Icom Ltd.

10C07, Long silver Mansion, No.88, Yong Ding  
Road, Haidian District, Beijing, 100039, China  
Phone : +86 (010) 5889 5391/5392/5393  
Fax : +86 (010) 5889 5395  
E-mail : [bjicom@bjicom.com](mailto:bjicom@bjicom.com)  
URL : <http://www.bjicom.com>

### Icom (Europe) GmbH

Communication Equipment  
Himmelgeister Str. 100, D-40225 Düsseldorf, Germany  
Phone : +49 (0211) 346047 Fax : +49 (0211) 333639  
URL : <http://www.icomeurope.com>  
E-mail : [info@icomeurope.com](mailto:info@icomeurope.com)

### Icom Spain S.L

Ctra. Rubi, No. 88 Bajos A 08174, Sant Cugat del Valles, Barcelona, Spain  
Phone : +34 (93) 590 26 70 Fax : +34 (93) 589 04 46  
URL : <http://www.icomspain.com>  
E-mail : [icom@icomspain.com](mailto:icom@icomspain.com)

### Icom (UK) Ltd.

Unit 9, Sea St., Herne Bay, Kent, CT6 8LD, U.K.  
Phone : +44 (01227) 741741 Fax : +44 (01227) 741742  
URL : <http://www.icomuk.co.uk>  
E-mail : [info@icomuk.co.uk](mailto:info@icomuk.co.uk)

### Icom France s.a.s.

Zac de la Plaine  
1 Rue Brindejonc des Moulinais BP 5804  
31505 Toulouse Cedex, France  
Phone : +33 (5) 61 36 03 03 Fax : +33 (5) 61 36 03 00  
URL : <http://www.icom-france.com>  
E-mail : [icom@icom-france.com](mailto:icom@icom-france.com)

### Asia Icom Inc.

6F No.68, Sec. 1 Cheng-Teh Road, Taipei, Taiwan, R.O.C.  
Phone : +886 (02) 2559 1899 Fax : +886 (02) 2559 1874  
URL : <http://www.asia-icom.com>  
E-mail : [sales@asia-icom.com](mailto:sales@asia-icom.com)

### Icom Polska

81-850 Sopot, ul. 3 Maja 54, Poland  
Phone : +48 (58) 550 7135 Fax : +48 (58) 551 0484  
E-mail : [icompolaska@icompolaska.com.pl](mailto:icompolaska@icompolaska.com.pl)



**Count on us!**

**Icom Inc.**

1-1-32, Kamiminami, Hirano-ku, Osaka 547-0003, Japan

S-14116IZ-C1-②  
© 2004-2008 Icom Inc.